

Cable gland - G-INS-M32-L68N-PNES-GY - 1424478

Please be informed that the data shown in this PDF Document is generated from our Online Catalog. Please find the complete data in the user's documentation. Our General Terms of Use for Downloads are valid (<http://phoenixcontact.com/download>)




Cable gland, cable gland material: PA, external cable diameter 18 mm ... 25 mm, shielding: no, connecting thread: M32 x 1.5, color: silver-gray RAL 7001

Your advantages

- ✔ Plastic material conforms to UL 746C f1



Key Commercial Data

Packing unit	5 pc
GTIN	 4 055626 372686
GTIN	4055626372686

Technical data

Dimensions

Length	50 mm
Wrench size, union nut	42 mm
Wrench size, support	42 mm
Hexagon angular dimension	40.9 mm
Length of the connecting thread	16 mm
Feed-through hole diameter	32.1 mm ... 32.3 mm
External cable diameter	18 mm ... 25 mm
	18 mm ... 25 mm (for UL 514 B)

Ambient conditions

Degree of protection (IP)	IP68 (5 bar / 0.5 h)
	IP66
Ambient temperature (operation)	-40 °C ... 100 °C (static)

General

No. of conductors	1
-------------------	---

Cable gland - G-INS-M32-L68N-PNES-GY - 1424478

Technical data

General

Cable gland material	PA
Cable seal material	CR
Flammability rating according to UL 94	V2
	V2 (Housing)
Shielded	no
Thread type connection side	M32 x 1.5
Thread type on connection side	M32
Torque	5 Nm (Union nut: EN 62444)
	5 Nm (Support: EN 62444)
	15.8 Nm (for UL514 B: union nut)
Color	silver-gray RAL 7001
Impact category	4
Execution of the strain relief	A
Assembly instructions	1) Mount screw connection support in the housing using the correct torque 2) Insert cable 3) Tighten union nut using the correct torque
Manufacturer	BIMED
Manufacturer Designation	BM-07

Standards and Regulations

Flammability rating according to UL 94	V2
--	----

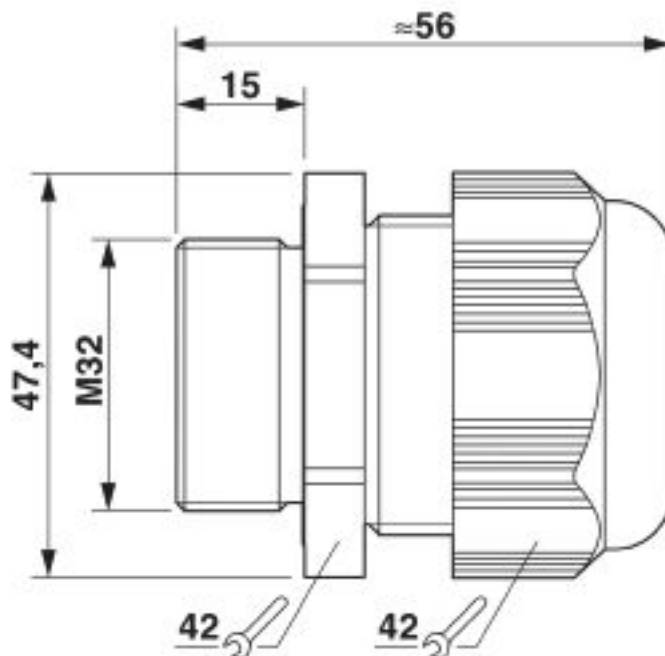
Environmental Product Compliance

China RoHS	Environmentally friendly use period: unlimited = EFUP-e
	No hazardous substances above threshold values

Drawings

Cable gland - G-INS-M32-L68N-PNES-GY - 1424478

Dimensional drawing



Dimensional drawing

Approvals

Approvals

Approvals

CSA / UL Listed / cUL Listed / cULus Listed

Ex Approvals


Approval details

CSA		http://www.csagroup.org/services-industries/product-listing/	115116
-----	--	---	--------

UL Listed		http://database.ul.com/cgi-bin/XYV/template/LISEXT/1FRAME/index.htm	E199260
-----------	--	---	---------

Cable gland - G-INS-M32-L68N-PNES-GY - 1424478

Approvals

cUL Listed		http://database.ul.com/cgi-bin/XYV/template/LISEXT/1FRAME/index.htm	E199260
------------	---	---	---------

cULus Listed			
--------------	---	--	--

Phoenix Contact 2019 © - all rights reserved
<http://www.phoenixcontact.com>

PHOENIX CONTACT GmbH & Co. KG
Flachsmarktstr. 8
32825 Blomberg
Germany
Tel. +49 5235 300
Fax +49 5235 3 41200
<http://www.phoenixcontact.com>