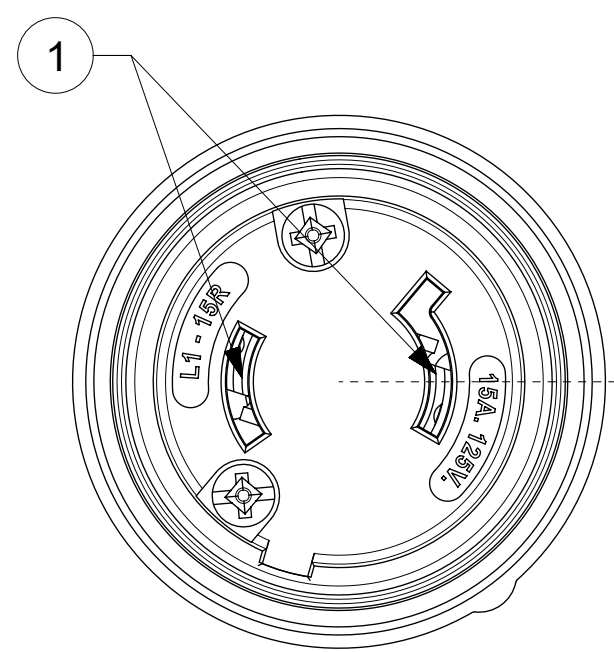
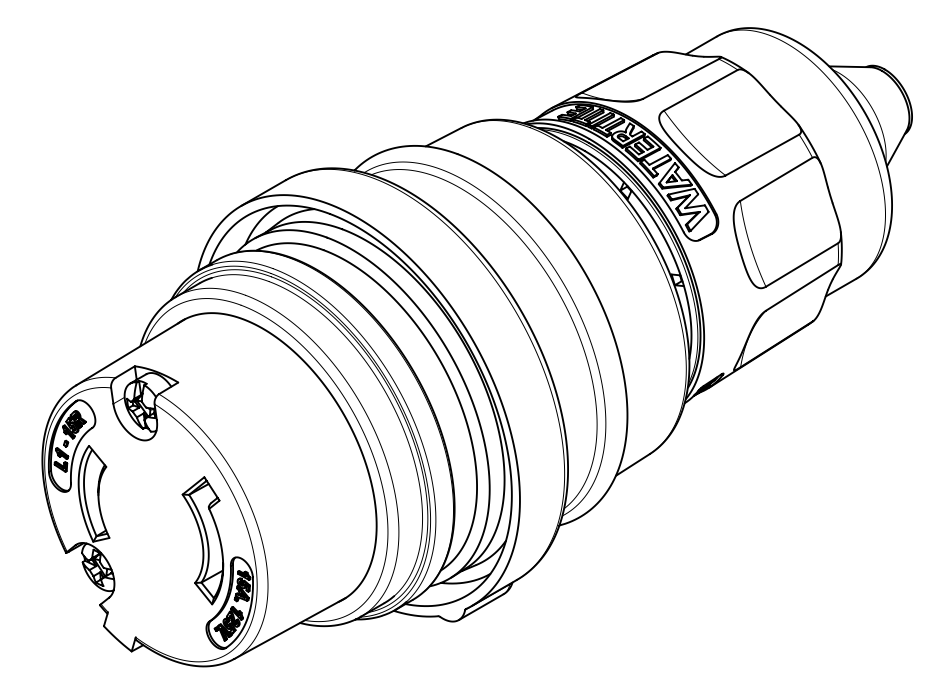
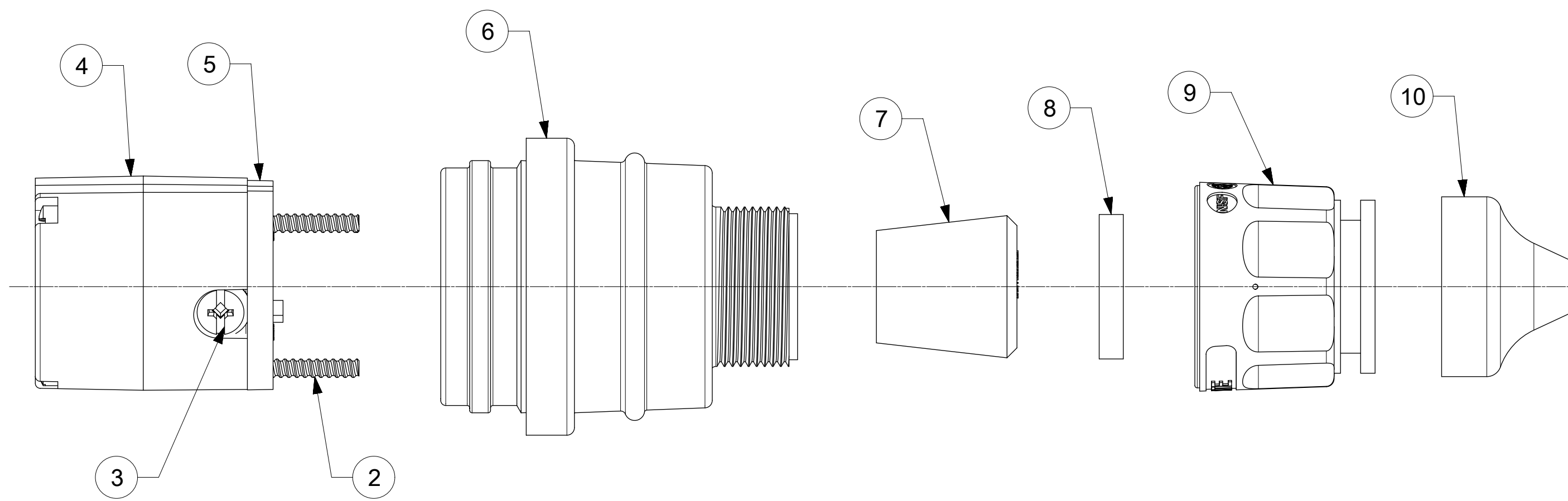
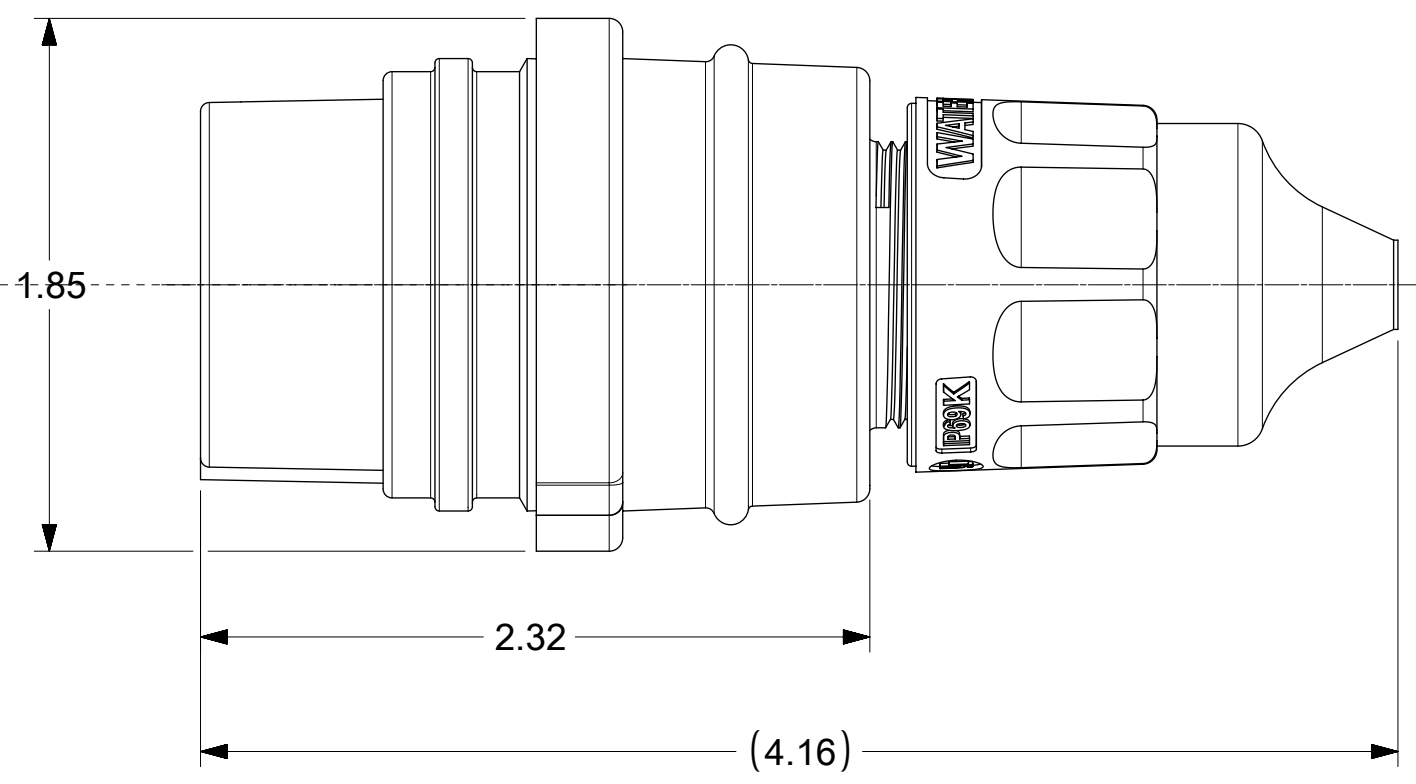


ORDER NO.	WOODHEAD NO.	COLOR
130146-0091	25W04MB	YELLOW



FACE VIEW



ITEM NO.	DESCRIPTIONS	MATERIAL	QTY.
1	BLADES	BRASS	2
2	RETAINING SCREWS	STAINLESS STEEL	2
3	TERMINAL SCREWS	BRASS, ZINC PLATED	2
4	INSERT	NYLON	1
5	TERMINAL COVER	POLYCARBONATE	1
6	HOUSING	SILICONE WITH NYLON THREAD	1
7	GROMMETS	RUBBER	5
8	FRICTION RING	NYLON	1
9	COMPRESSION NUT	NYLON	1
10	CABLE GLOVE	SILICONE	1

NOTES:
 1. SEE INSTRUCTION SHEET NUMBER 1301414770 FOR PRODUCT SPECIFICATION.
 2. CABLE RANGE FROM 0.375" TO 0.625"

SYMBOLS		THIS DRAWING CONTAINS INFORMATION THAT IS PROPRIETARY TO MOLEX ELECTRONIC TECHNOLOGIES, LLC AND SHOULD NOT BE USED WITHOUT WRITTEN PERMISSION	
▽ = 0	DIMENSION UNITS	SCALE	CURRENT REV DESC: RELEASED
▽ = 0	INCH	NTS	
▽ = 0	GENERAL TOLERANCES (UNLESS SPECIFIED)		
▽ = 0	ANGULAR TOL	± 0.5°	EC NO: 614930
▽ = 0	4 PLACES	±	DRWN: VASUTHKARP 2019/04/04
▽ = 0	3 PLACES	± 0.005	CHK'D: DNGUYEN62 2019/04/04
▽ = 0	2 PLACES	± 0.01	APPR: HKNEELAND 2019/04/04
▽ = 0	1 PLACE	± 0.02	INITIAL REVISION:
▽ = 0	0 PLACES	±	DRWN: NVELUSAMY 2018/11/09
▽ = 0	DRAFT WHERE APPLICABLE MUST REMAIN WITHIN DIMENSIONS		APPR: HKNEELAND 2019/02/26
▽ = 0	THIRD ANGLE PROJECTION	DRAWING	SERIES
		C-SIZE	130146
DOCUMENT NUMBER		DOC TYPE	DOC PART
1301460091		PSD	000
MATERIAL NUMBER		CUSTOMER	SHEET NUMBER
SEE TABLE		GENERAL MARKET	1 OF 1



WATERTITE CONNECTOR, L1-15R

PRODUCT CUSTOMER DRAWING