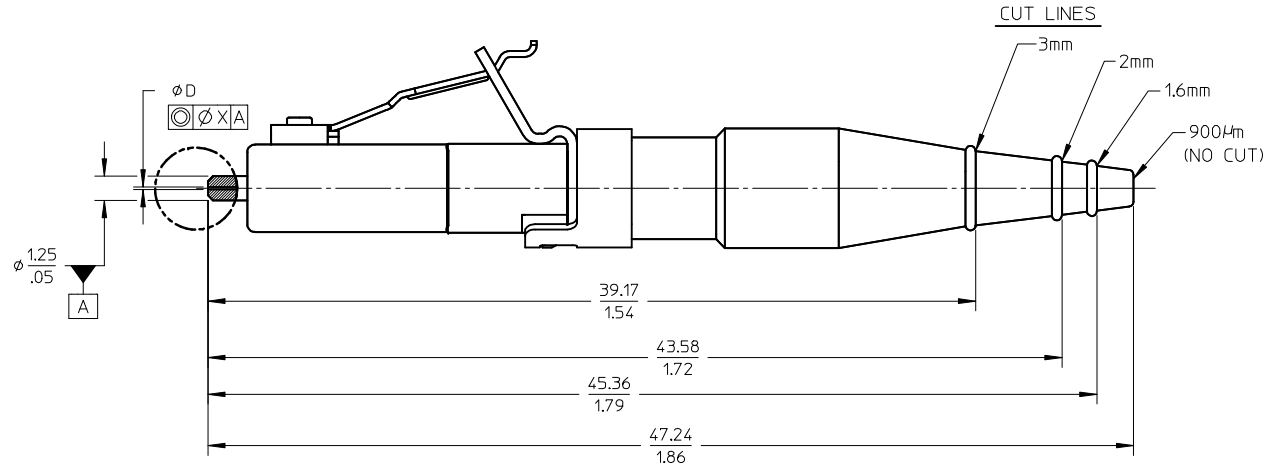
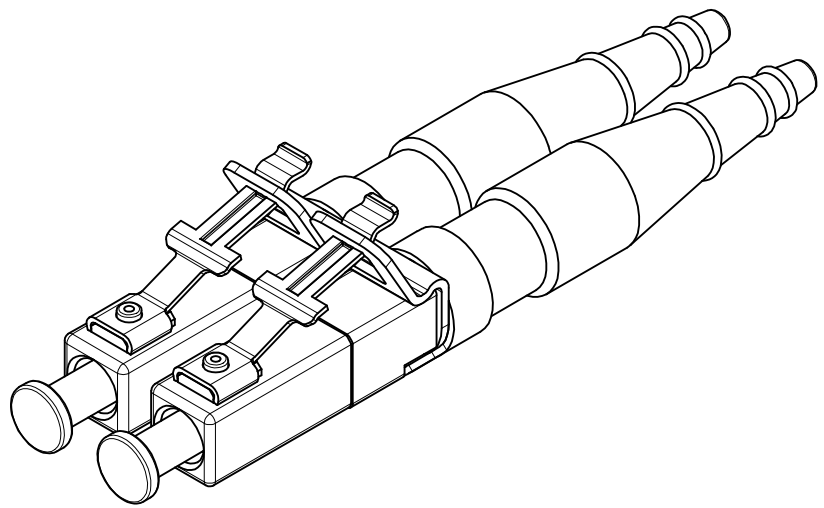
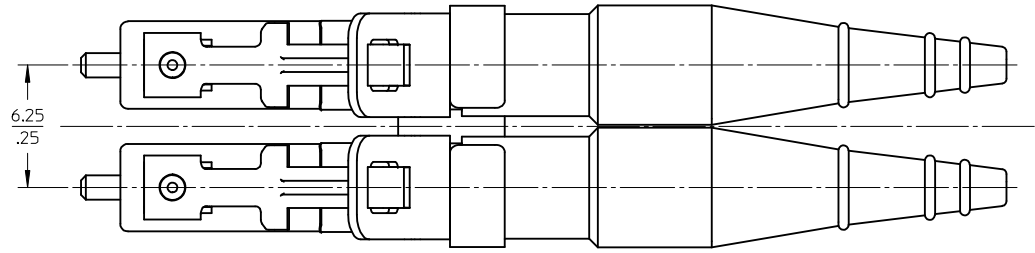


PART NUMBER	COLOR / TYPE	ØD (µm)	ØX (µm)
1063722301	BLUE / SM	126	1
1063722500	GOLD / MM	127	3
1063722501		142	
1063722502		172	



NOTES:
 1. DIMENSIONS ARE FOR REFERENCE ONLY
 2. BOOT CUT AT LINES SHOWN FOR DIFFERENT CABLE SIZES

ENTER DESCRIPTION EC NO: MF2013-0060 DRW: DMAGHAYERE 2012/07/25 CHKD: APPR: LGUMIN 2012/07/26 A1	QUALITY SYMBOLS ▽=0 ▽=0	GENERAL TOLERANCES (UNLESS SPECIFIED) <table border="1"> <thead> <tr> <th></th> <th>mm</th> <th>INCH</th> </tr> </thead> <tbody> <tr> <td>4 PLACES</td> <td>± ---</td> <td>± ---</td> </tr> <tr> <td>3 PLACES</td> <td>± ---</td> <td>± ---</td> </tr> <tr> <td>2 PLACES</td> <td>± ---</td> <td>± ---</td> </tr> <tr> <td>1 PLACE</td> <td>± ---</td> <td>± ---</td> </tr> </tbody> </table> ANGULAR ± 1 °		mm	INCH	4 PLACES	± ---	± ---	3 PLACES	± ---	± ---	2 PLACES	± ---	± ---	1 PLACE	± ---	± ---	DIMENSION STYLE MM/IN DRAWN BY: SERNST DATE: 2010/05/07 CHECKED BY: _____ DATE: _____ APPROVED BY: WCHEN DATE: 2010/05/12 MATERIAL NO.: SEE TABLE	SCALE: 4:1 DESIGN UNITS: METRIC THIRD ANGLE PROJECTION	TITLE: DUPLEX LC2+ SEALED CONNECTOR MOLEX INCORPORATED DOCUMENT NO.: SD-106372-2300 SHEET NO.: 1 OF 1
		mm	INCH																	
	4 PLACES	± ---	± ---																	
	3 PLACES	± ---	± ---																	
2 PLACES	± ---	± ---																		
1 PLACE	± ---	± ---																		
DRAFT WHERE APPLICABLE MUST REMAIN WITHIN DIMENSIONS		THIS DRAWING CONTAINS INFORMATION THAT IS PROPRIETARY TO MOLEX INCORPORATED AND SHOULD NOT BE USED WITHOUT WRITTEN PERMISSION																		