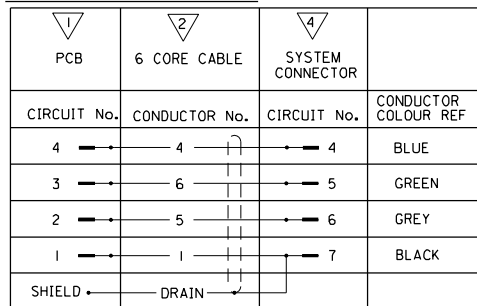


**BILL OF MATERIALS**

NO.	QTY	SUPPLIER	DESCRIPTION	PART No.	SEE NOTE
1	1	MOLEX	SHIELDED PCMCIA CONNECTOR KIT INCLUDES - LOWER & UPPER SHIELD CONTACT UNIT COVER PCB	91252-0001	
2	1	MOLEX	6 CORE CABLE SEE CABLE SPECIFICATION		2
3	1	MOLEX	OVERMOULDED GROMMET AND FERRULE		
4	1	HIROSE	SYSTEM CONNECTOR SET	MO I70-NK-7B-CV	2,3
5	1	MOLEX	LABEL		2,3

**WIRING DIAGRAM : 6 CORE CABLE**



**2 CABLE SPECIFICATION : 6 CORE CABLE**

1. CABLE TYPE: FLAT  RIBBON  ROUND  OTHER   
 SPIRAL CABLE YES  NO   
 NO. OF CONDUCTORS 6

2. CABLE REQUIREMENTS :

3. CONDUCTOR SPECIFICATIONS :

CONDUCTOR #	CONDUCTOR NO.	COLOURS
1	1 - 6	1. BLACK
2		2. BROWN
3		3. RED
4		4. BLUE
5		5. GREY
6		6. GREEN

INSULATION :  
 - MATERIAL PP  
 - MIN. WALL THICKNESS 0.15  
 - COLOUR SEE CABLE DIAGRAM/COLOUR CODE  
 - OUTSIDE DIAMETER 0.70 ± 0.05  
 DIRECTION OF LAY S  
 LENGTH OF LAY 45  
 U.L. RATING UL 1589

4. FILLER : ENOUGH TO MAKE CABLE ROUND

5. SEPARATOR : TYPE N/A  
 LAY DIRECTION N/A

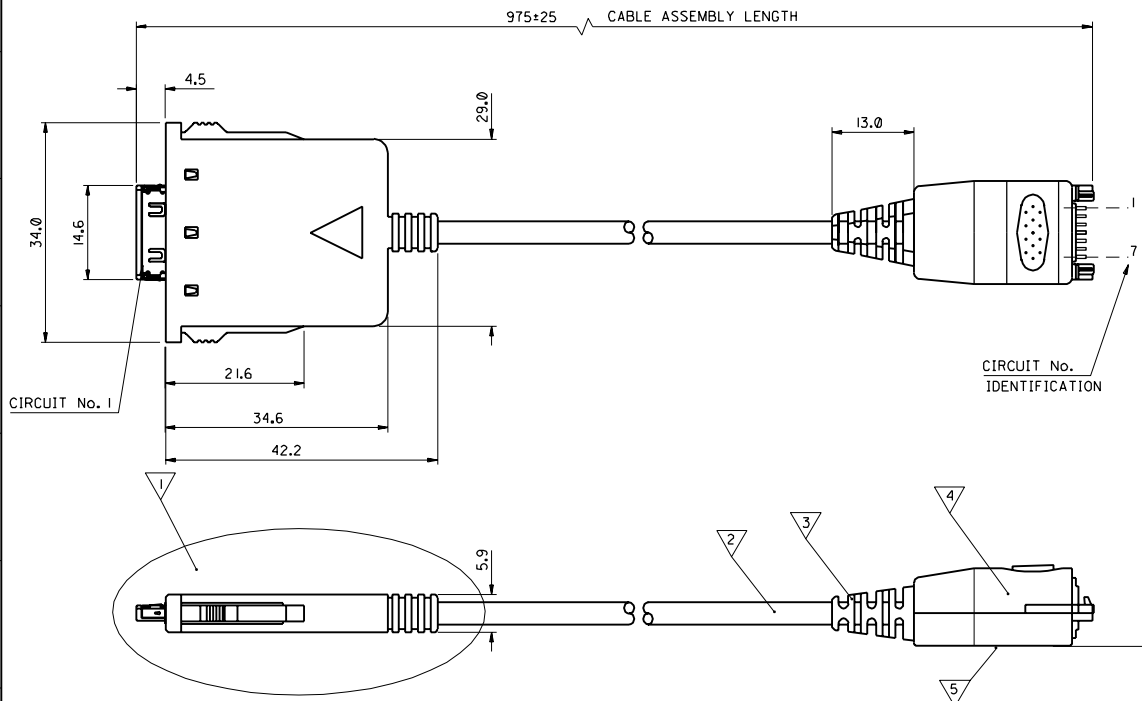
6. SHIELD : FOIL TYPE ALUMINIUM FOIL  
 FOIL FACING SILVER SIDE IN

7. DRAIN WIRE : GAUGE 28  
 STRANDING 19/40  
 REQUIREMENT DRAIN WIRE TO BE INSIDE SHIELD

8. SPIRAL/BRAID : GAUGE N/A  
 COPPER TYPE COVERAGE

9. CABLE JACKET : TYPE PVC  
 FINAL DIAMETER 3.50 ± 0.10  
 NOM. THICKNESS 0.50 ± 0.05  
 COLOUR BLACK  
 FINISH MATT  
 U.L. RATING UL 20276  
 HARDNESS 84 SHORE A  
 STRIPABILITY GOOD  
 MARKINGS N/A

SCALE 10:1



- NOTES:-**
- SEE PRODUCT SPECIFICATION NO. PS-99020-0070
  - ONLY AVAILABLE FROM MOLEX AS PART OF A CABLE ASSEMBLY.
  - SUPPLIER OR CUSTOMER APPROVED EQUIVALENT.
  - ASSEMBLIES TESTED FOR SHORTS AND DISCONTINUITIES BETWEEN SYSTEM CONNECTOR AND PCB.
  - PACKAGING: PARTS TO BE PACKED IN BAGS.

ORIGINAL ISSUE ECN E'0241 97/05/07 DR	REVISIONS	DIMENSIONS SHOWN ( METRIC ) INCH UNLESS OTHERWISE SPECIFIED TOLERANCES: ANGULAR ± ° INCH ( METRIC ) 3 PLACE # ± 2 PLACE # ± 1 PLACE # ± 0.20 DIMENSIONS WHERE APPLICABLE MUST REMAIN WITHIN DIMENSIONS	DRWG BY MC	REVISE ONLY ON CAD SYSTEM	SH. REV.
A 1	LTR	DESIGN DIMENSION (MM) (IN) (PRIMARY) <input type="checkbox"/> IN. EQUIVALENT DIMENSION (SECONDARY) <input type="checkbox"/> MM <input type="checkbox"/> IN.	DRWG TO BY	TITLE <b>DLH-6 DATA CABLE ASSEMBLY</b>	
		SCALE 2:1	APPRD BY	SHEET NO. DATE MOLEX EUROPE IOF 1 96/11/26	
			SCALE	PART NO. DWG NO. 92601-0006 SDA-92601-0006	

PART NO. 92601-0006  
 DWG NO. SDA-92601-0006