

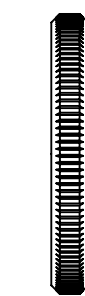
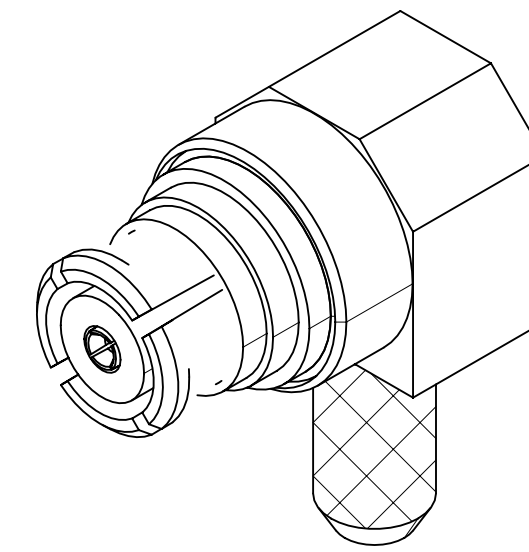
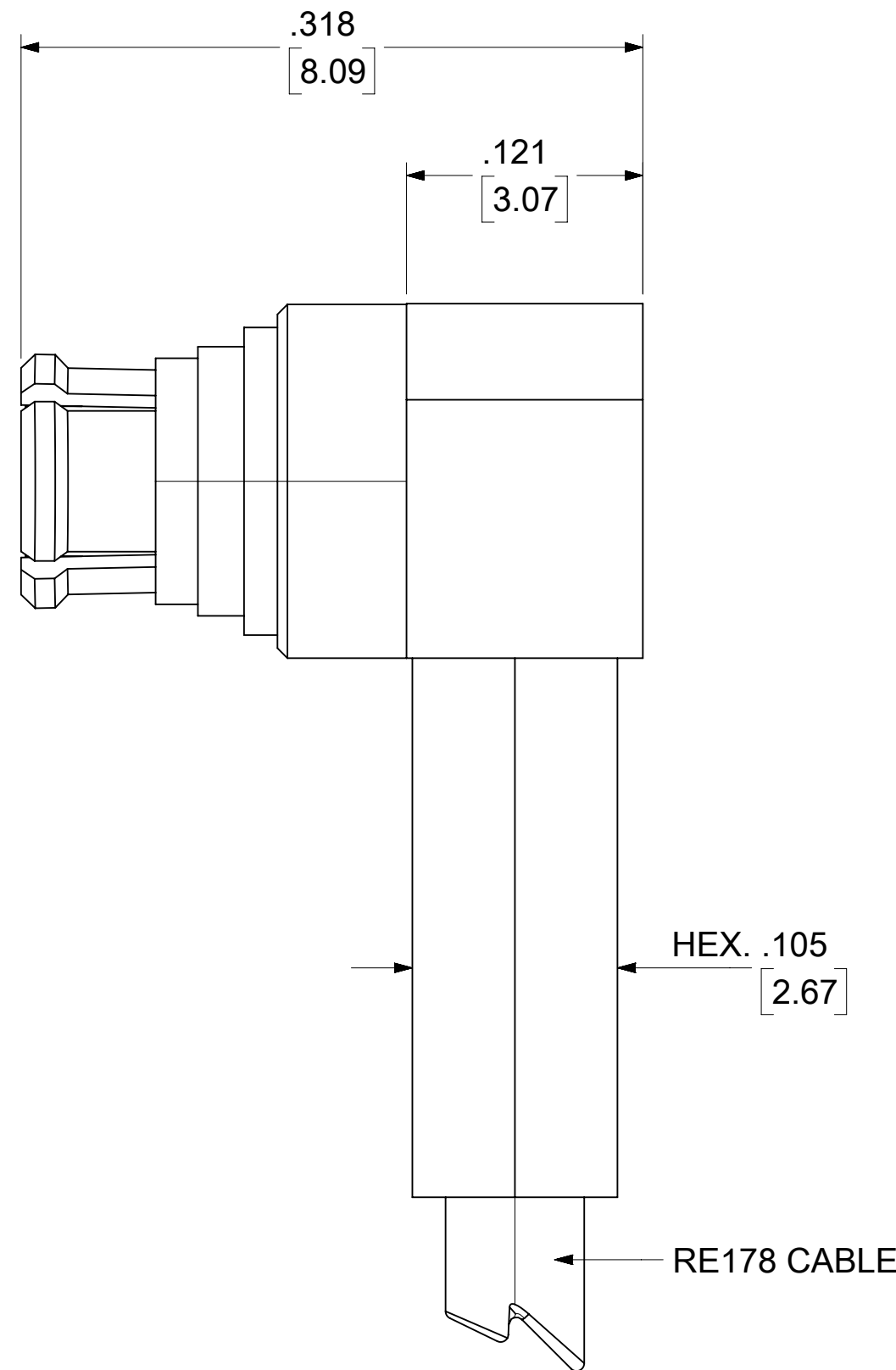
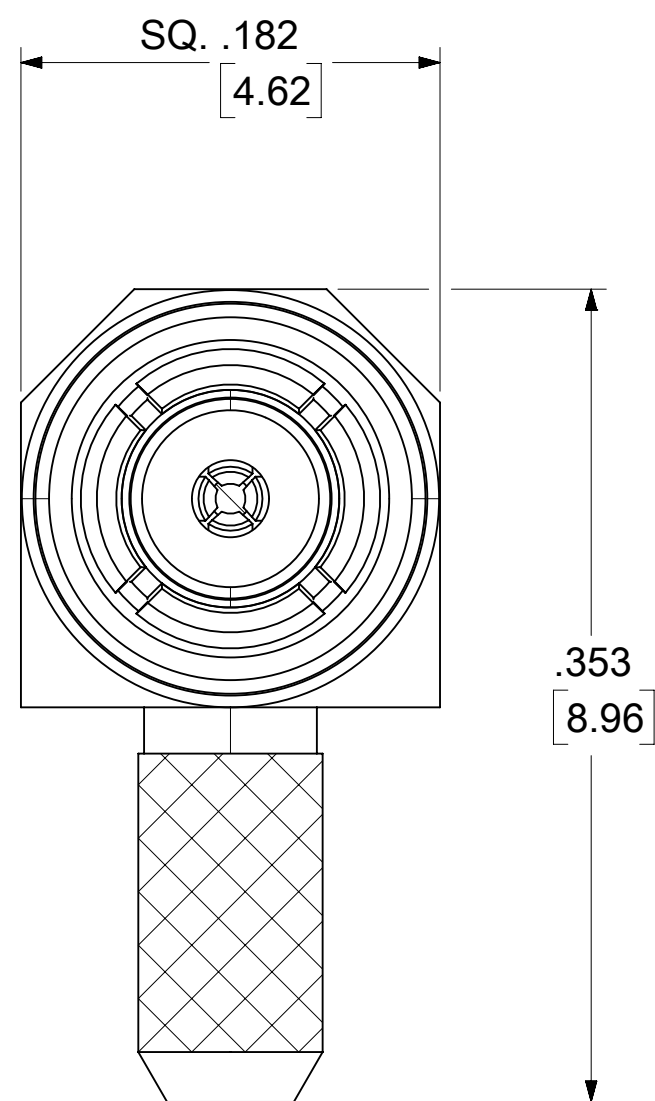
MATERIALS AND FINISHES

BODY, CRIMP TUBE BRASS
PLATED GOLD

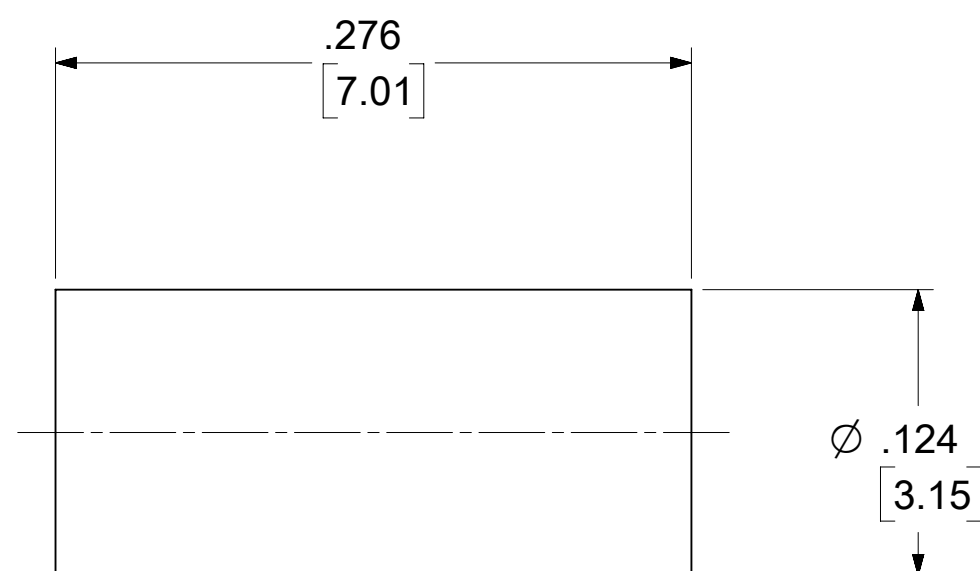
OUTER CONTACT BERYLLIUM COPPER
PLATED GOLD

CENTER CONTACT BERYLLIUM COPPER
PLATED GOLD

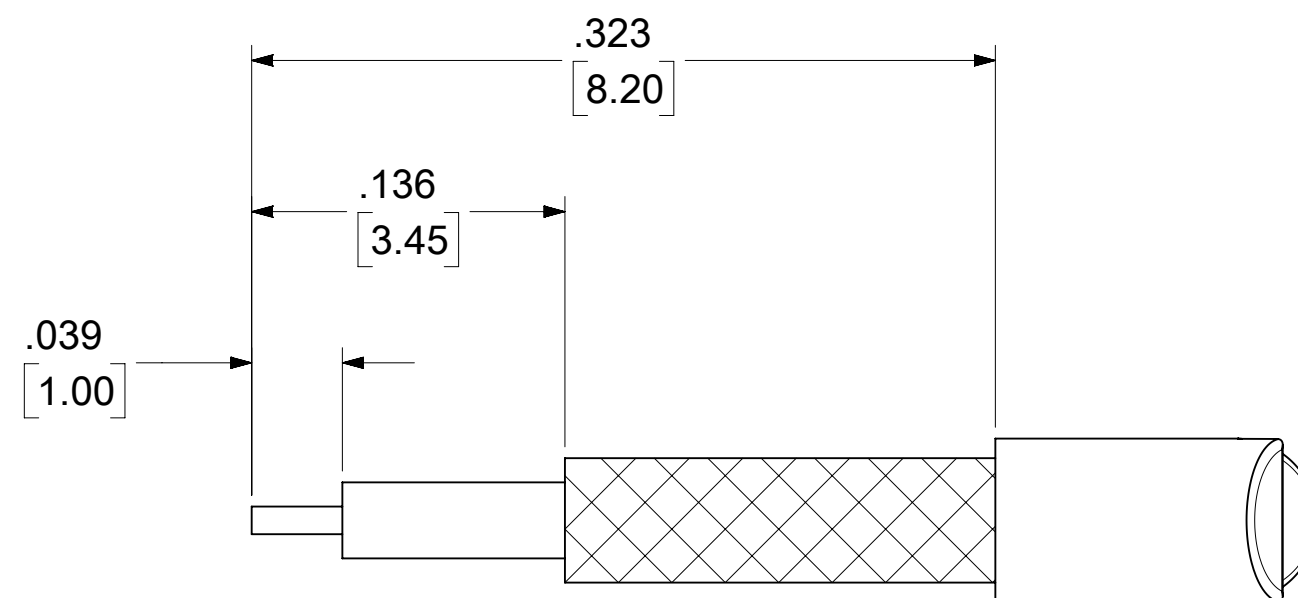
INSULATOR TEFLON



CAP



CRIMP TUBE



RECOMMENDED CABLE STRIP MIMENSION

LABEL FORMAT FOR
73406-0141

PART NUMBER: 73406-0140
ORDER NUMBER: 73406-0141
MOLEX
DATE: YYWW

73406-0141	73406-0140 ONE PER BAG	895420470
73406-0140	73406-0140 TRAY	895420040
PART NO.	DESCRIPTION	PACKING SPEC

MIL-STD-348A, FIG. 326.1	INTERFACE
SPECIFICATION	DESCRIPTION

FUNCTIONAL SYMBOLS $\nabla_A = 0$ $\nabla_C = 0$ $\nabla_P = 0$	THIS DRAWING CONTAINS INFORMATION THAT IS PROPRIETARY TO MOLEX ELECTRONIC TECHNOLOGIES, LLC AND SHOULD NOT BE USED WITHOUT WRITTEN PERMISSION		CURRENT REV DESC: ADD 73406-0141 PER EWR# 15321-C				
	DIMENSION UNITS	SCALE	EC NO: 718723				
	INCH/MM	NTS	DRWN: ELIN 2022/08/22				
	GENERAL TOLERANCES (UNLESS SPECIFIED)		CHK'D: YCHENG 2022/08/30				
DIVISIONAL SYMBOLS 4 PLACES ± 3 PLACES ± 2 PLACES ± 1 PLACE ± 0 PLACES ±	ANGULAR TOL ± 2.0°		APPR: YCHENG 2022/08/30		PRODUCT CUSTOMER DRAWING DOCUMENT NUMBER: SD-73406-014 DOC TYPE: PSD DOC PART: 001 REVISION: C1		
	DRAFT WHERE APPLICABLE MUST REMAIN WITHIN DIMENSIONS		INITIAL REVISION: DRWN: MCHAN05 2009/07/14				
	THIRD ANGLE PROJECTION		APPR: MHUANG 2009/07/14				
	DRAWING: C-SIZE		SERIES: 73406				
DOCUMENT STATUS	P1	RELEASE DATE	2022/08/30	02:55:02	MATERIAL NUMBER: SEE TABLE	CUSTOMER: GENERAL MARKET	SHEET NUMBER: 1 OF 1