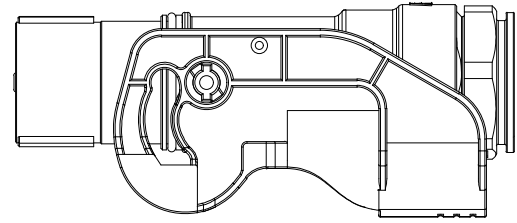
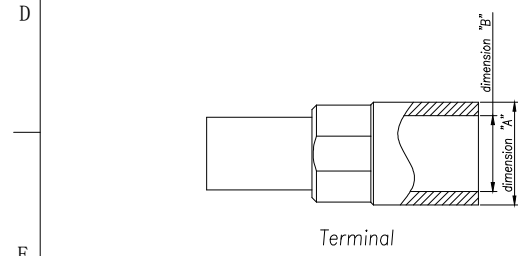
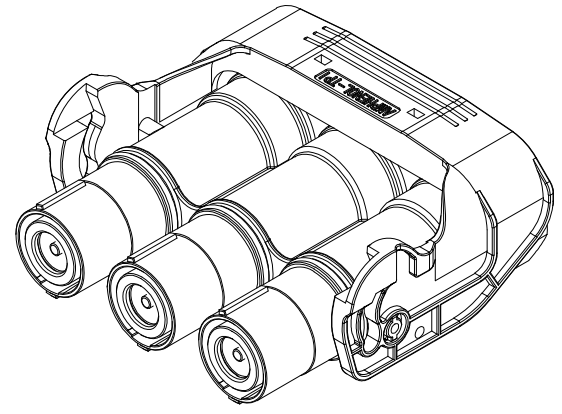
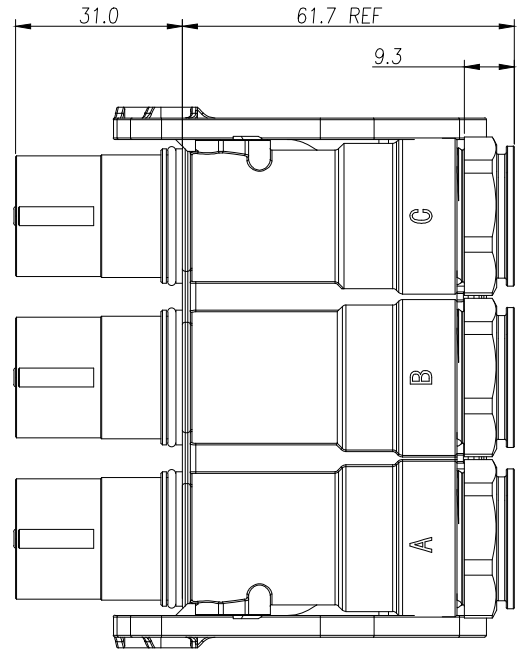
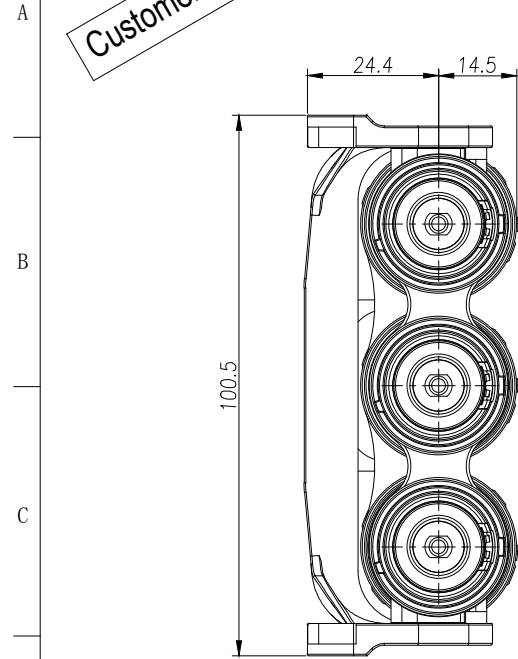


THIS DRAWING IS SUPPLIED FOR INFORMATION ONLY. DESIGN FEATURES, SPECIFICATIONS AND PERFORMANCE DATA SHOWN HEREON ARE THE PROPERTY OF THE AMPHENOL CORPORATION. NO RIGHTS OF REPRODUCTION ARE IMPLIED. ALL DIMENSIONS ARE SUBJECT TO NORMAL MANUFACTURING VARIATIONS.

Customer Drawing

REVISIONS			7	8		
REV	ZONE	ECO	DESCRIPTION	DATE	BY	APPR
1	--	--	INITIAL RELEASE	10/09/19	Fred	JL



Standard Part List (With HVIL)

P/N	Model NO.	Accepted Wire OD	outside-diameter of terminal (mm): "A"	inside-diameter of terminal (mm): "B"
AC-HA013438	PL183X-301-95-5	19.9±0.3	19.1±0.3	14.1±0.3
AC-HA013439	PL183Y-301-95-5			

Standard Part List (Without HVIL)

P/N	Model NO.	Accepted Wire OD	outside-diameter of terminal (mm): "A"	inside-diameter of terminal (mm): "B"
AC-HA013440	PL183X-300-95-5	19.9±0.3	19.1±0.3	14.1±0.3
AC-HA013441	PL183Y-300-95-5			

规格参数 (Spec.):

- 工作温度 Operating temperature: -40° C~+125° C.
- 额定电流 Current rating (Connector Only): 300 A.
- 额定电压 Operating voltage: 1000 VDC.
- 耐电压 Dielectric withstanding voltage: 5000 VDC.
- 防护等级 Protection class: IP67 & IP2X.
- 电磁屏蔽 Shielding.
- 机械寿命 Mating cycle: 100 Min.
- 带高压互锁 Electrical interlock (HVIL).
- 带自动二次锁扣 Automatic secondary lock.
- 推荐线缆 Recommended cable: HS 84100299.

订购信息 Ordering Information

PL18 3 X - 30 1 - 95 - 5

键位及颜色 Key "X" Key "Y" Key	高压互锁 HVIL 0, 不带互锁 No HVIL 1, 带互锁 With HVIL	线缆大小 Cable Size "95"=95mm ²
---------------------------------	--	---



Amphenol Technical Products International Asia.

第三角投影 THIRD ANGLE PROJECTION		页面 SHEET	幅面 SIZE	版次 REV.	比例 SCALE	PART NAME: PwrLok 10mm 3POS Plug Conn	
1 OF 1		A3	1			DWG NO: AC-HA013438~41	
UNLESS OTHERWISE SPECIFIED 1) All dimensions are in metric (mm). 2) Tolerances are as follows: 0 PL DEC ±1.00 1 PL DEC ±0.50 2 PL DEC ±0.20		Angles ±1°		CUST PART #: N/A		CUST REV. -	
签名 SIGNATURE	日期 DATE						
制图 DRAWN	Fred	10/09/19					
审核 CHECKED							
批准 APPROVAL							