

MATERIALS:
 Shell: Brass, Chrome plated
 Insert: PPS, UL-94V-0 rated
 Contacts: Brass, Gold plated

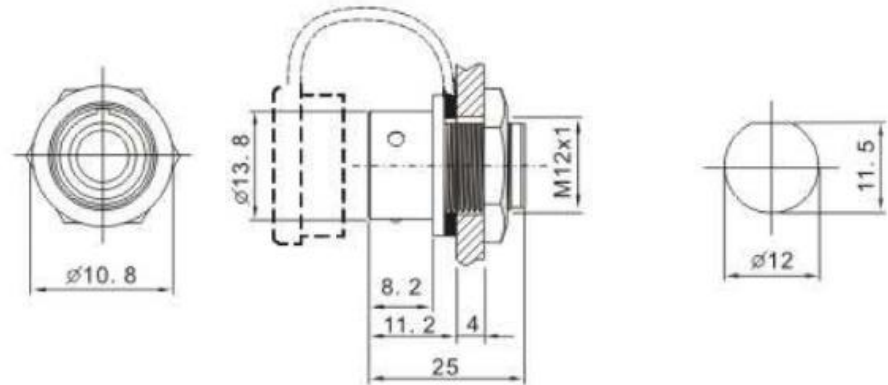
MECHANICAL SPECIFICATIONS:
 Coupling type: Push - Pull
 Contact termination: Solder
 Mating cycles: >500

ENVIRONMENTAL SPECIFICATIONS:
 IP rating: IP67
 Temperature range: -40°C ~ +85°C

RoHS
 COMPLIANT

ORDERING CODE:
 PD-SF1212-SX

Number of contacts (from chart)



Number of contact	2	3	4	5	6	7	9
Male contact face view							
Rated current (A)	13A	13A	5A	5A	5A	5A	3A
Contact diameter	$\varnothing 1.6 \times 2$	$\varnothing 1.6 \times 3$	$\varnothing 1 \times 4$	$\varnothing 1 \times 5$	$\varnothing 1 \times 6$	$\varnothing 1 \times 7$	$\varnothing 0.7 \times 9$
Rated voltage (AC.V)	250V	250V	200V	180V	125V	125V	125V
Test voltage(AC.V) 1 min	1500V	1500V	1500V	1000V	1000V	1000V	1000V
Contact resistance Ω	2	2	5	5	5	5	10
Wire size ^{min} /AWG	$\leq 2/14$	$\leq 2/14$	$\leq 0.785/18$	$\leq 0.785/18$	$\leq 0.785/18$	$\leq 0.785/18$	$\leq 0.785/18$

TOLERANCE
 UNLESS OTHERWISE SPECIFIED
 X ± 1
 X.X ± 0.4
 X.XX ± 0.13

Power Dynamics, Inc.
 Phone: 973 560-0019 Whippany, New Jersey Fax: 973 560-0076
 PART: METAL IP67 WATERPROOF FEMALE FRONT MOUNT
 PUSH - PULL TYPE; 2 - 9 CONTACTS; SOLDER TERMINATION

DRAWN BY: PB DATE: 10/31/17
 CHECK BY: DATE:
 APPR BY: DATE:

PART #: PD-SF1212-SX SHEET 1 of 1
 SIZE: A ALL DIMENSIONS FOR REFERENCE ONLY
 SCALE: NTS DIMENSIONS ARE IN MILLIMETERS REV:

REV	DATE	CHANGE	CHK	CHK	APPR

REVISIONS