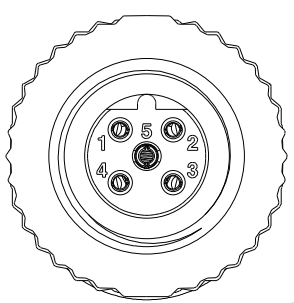
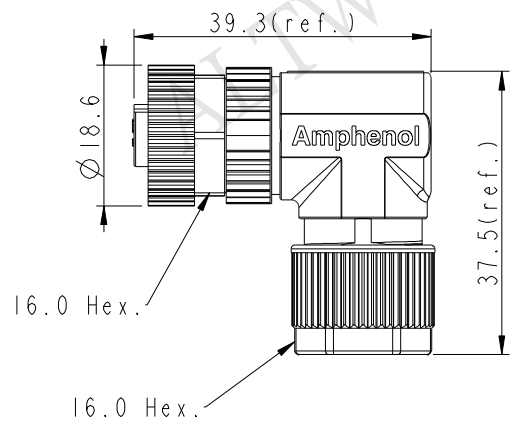
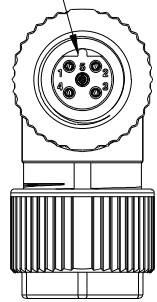
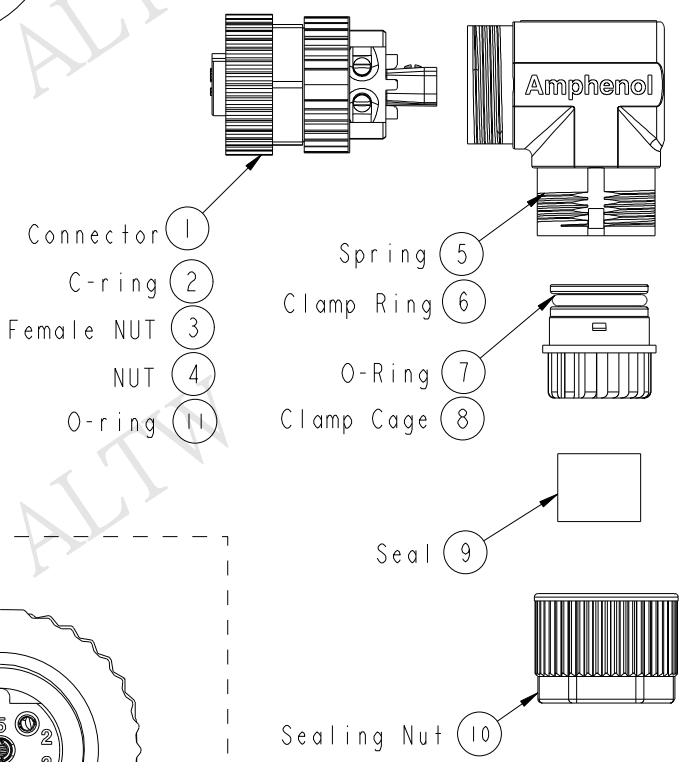


REV.	ECN NO.	DATE	SIGN	DESCRIPTION
A	Initial Release	2015/10/13	Mila	Change Rev.01 To Rev.A

**ALTW**  
**CONFIDENTIAL**  
 2015-10-13  
 R&D DEPT.

360° Adjustable Key Code Direction



Pin Assignments  
 Front View

**ALTW**  
 DCC. DEPT.  
 CONFIDENTIAL  
 2015.10.28  
 ISSUED

UNIT:mm		
TOLERANCE		
±0.5mm		

TITLE M12 B-Code 90° Shielded Assy 5Pin F Conn. F Pin			
SCALE 1:1	SIZE A4	SHEET 1 OF 2	
REV. A	WC-REV. A.1	QC: Inspection item	

**Amphenol LTW**  
 安費諾亮泰企業股份有限公司

ITEM NO. MSBS-05BFFB-SR7001	DRAWN BY Mila	DATE 2015-10-13
DWG NO. MSBS-05BFFB-SR7001	CHECKED BY Cary	DATE 2015-10-13
CUSTOMER ALTW	APPROVED BY Jerry	DATE 2015-10-13

THIS DOCUMENT IS SUBJECT TO CHANGE WITHOUT NOTICE. IT IS CONFIDENTIAL AND A PROPERTY OF Amphenol LTW. DISCLOSURE TO THIRD PARTY HAS TO BE AUTHORIZED BY Amphenol LTW.

THIS DOCUMENT IS SUBJECT TO CHANGE WITHOUT NOTICE. IT IS CONFIDENTIAL AND A PROPERTY OF AMPHENOL LTW. DISCLOSURE TO THIRD PARTY HAS TO BE AUTHORIZED BY AMPHENOL LTW.

1 2 3 4 5 6 7 8

F  
E  
D  
C  
B  
A

M SBS - 05 B F F B - S R 7 001

SBS: B-Code Shielded

05: 5Pin

B: Without S/R(無網尾)

F: Female Connector(母座)

F: Female Pin(母Pin)

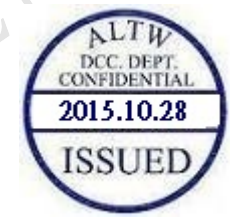
001: Without Cable

7: IP67(防水等級67)

R: Right(90°)

S: Screw(螺紋式)

B: Screw in Type(組裝式)



Note:

- \* Important Dimension To Check.
- \* Waterproof Rate: IP67(Mated)
- \* Housing: Nylon, Black
- \* Clamp Cage: Nylon, Black
- \* Female Pin: Copper Alloy, Gold Plated
- \* Female Nut: Zinc Alloy, Nickel Plated
- \* Nut: Zinc Alloy, Nickel Plated
- \* O-Ring: Silicon, Gray
- \* Clamp Ring: Zinc Alloy, Nickel Plated
- \* Sealing Nut: Zinc Alloy, Nickel Plated
- \* Seal: Silicon, Gray
- \* Seal For Cable OD:  $\varnothing 4.0\text{mm} \sim \varnothing 7.0\text{mm}$
- \* Screws for Wire connection recommended tightening torque: 0.61~0.84 kgf.cm / 0.059~0.082 N.m
- \* Applicable Wire gauge (Stranded wire cross section) 0.14mm<sup>2</sup> (26AWG) ~ 0.82mm<sup>2</sup> (18AWG)
- \* Mating Recommended tightening torque: 3~4 kgf.cm / 0.29~0.39 N.m
- \* Sealing-Nut Recommended tightening torque: 4~6 kgf.cm / 0.39~0.59 N.m
- \* Detailed applicable wire specifications may vary depending on the actual wire construction.

UNIT:mm TOLERANCE $\pm 0.5\text{mm}$	TITLE M12 B-Code 90° Shielded Assy 5Pin F Conn. F Pin		<h2 style="text-align: center;">Amphenol LTW</h2> <p style="text-align: center;">安費諾亮泰企業股份有限公司</p>		ITEM NO MSBS-05BFFB-SR7001	DRAWN BY Mila	DATE 2015-10-13
	SCALE 1:1	SIZE A4			SHEET 2 OF 2	DWG NO MSBS-05BFFB-SR7001	CHECKED BY Cary
	REV. A	WC-REV. A.1	Inspection item	CUSTOMER ALTW	APPROVED BY Jerry	DATE 2015-10-13	

1 2 3 4 5 6 7 8 FMM10702-01-02A1