

SUMMARY



Image is for illustrative purpose only

Wires

Low voltage 6

Series	2W
Termination type	Male solder
IP rating	68
AWG wire size	28.00 - 20.00
Cable Ø	1.30 - 1.50 mm
Status	active
Matching parts	EVG.2W.306.CLL

Download

[Request a quote](#)

[Catalog](#)

TECHNICAL DETAILS

Mechanics

Shell Style/Model	FV*: Straight plug, cable collet
Keying	1 key (alpha=0; Plug: male contacts; Receptacle: female contacts)
Housing Material	Brass (chrome plated [SAE AMS 2460]) shell and collet nut, nickel plated [SAE AMS QQ N 290] brass latch sleeve and mid pieces
Weight	54.80 g

Performance

Configuration	2W.306 : 6 Low Voltage
Insulator	
Rated Current	12 Amps

Specifications

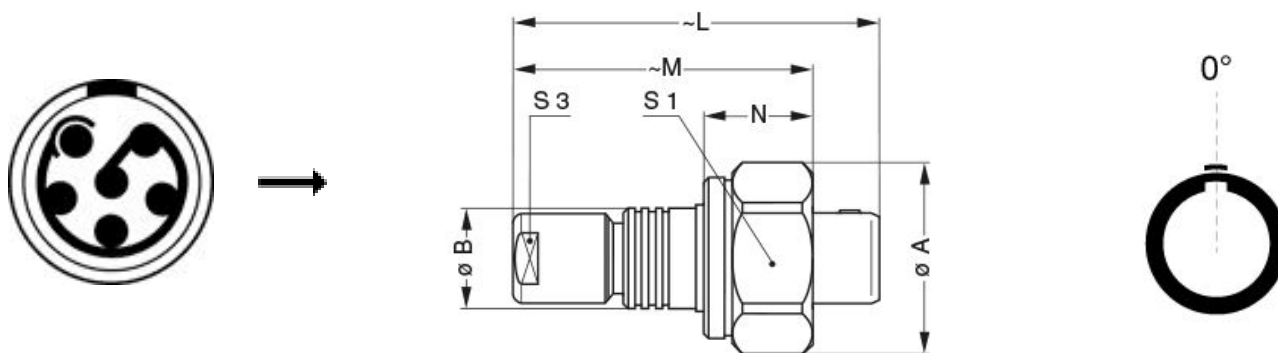
Contact Type: Solder
Contact Dia.: 1.3 mm (0.051in)
Bucket Dia.: 1 mm (0.039in)
Max. Solid Conductor: 0.5 mm² (AWG 20)
Max. Stranded Conductor: 0.5 mm² (AWG 20)
R (max): 3.6 mOhm
Vtest (contact-contact): 1350 V (AC) 1900 V (DC)
Vtest (contact-shell): 1450 V (AC) 2100 V (DC)

LEMO products and services are provided "as is". LEMO makes no warranties or representations with regard to LEMO product & services or use of them, express, implied or statutory, including for accuracy, completeness, or security. The user is fully responsible for his products and applications using LEMO components.

Others

Endurance (Shell): 1000 mating cycles
Temp (min / max): -20°C / +200°C
Humidity (max): <=95% [at 60 deg C / 140 F]
Climatical Category: 20/200/21
Shielding (min): 95 dB (10 MHz)
Shielding (min): 80 dB (1 GHz)
Salt Spray Corrosion: >1000 hr
Pressure: 30 bars

DRAWINGS



Dimensions

	A	B	L	M	N	S1	S3
mm.	23.5	14.0	52.5	43.0	15.5	22	12
in.	0,93	0,55	2,07	1,69	0,61	0,87	0,47

RECOMMENDED BY LEMO

Tools

LEMO products and services are provided "as is". LEMO makes no warranties or representations with regard to LEMO product & services or use of them, express, implied or statutory, including for accuracy, completeness, or security. The user is fully responsible for his products and applications using LEMO components.

Cables

LEMO products and services are provided "as is". LEMO makes no warranties or representations with regard to LEMO product & services or use of them, express, implied or statutory, including for accuracy, completeness, or security. The user is fully responsible for his products and applications using LEMO components.