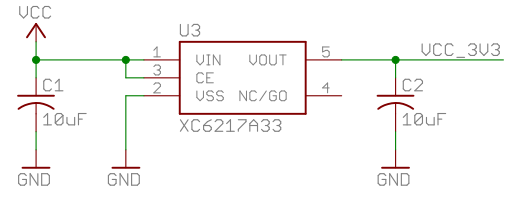
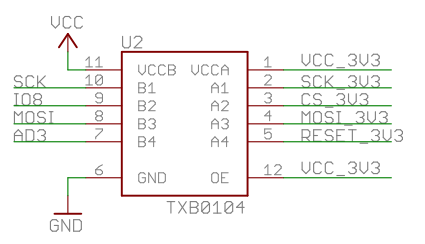


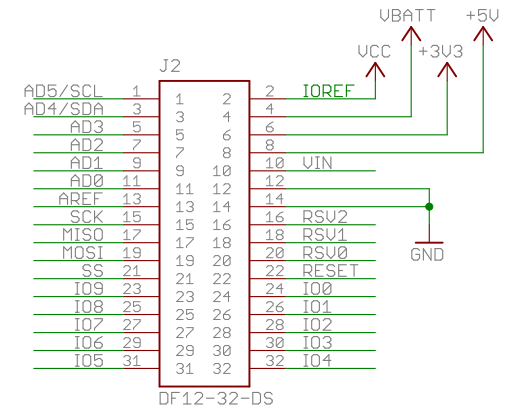
3.3V Power Supply



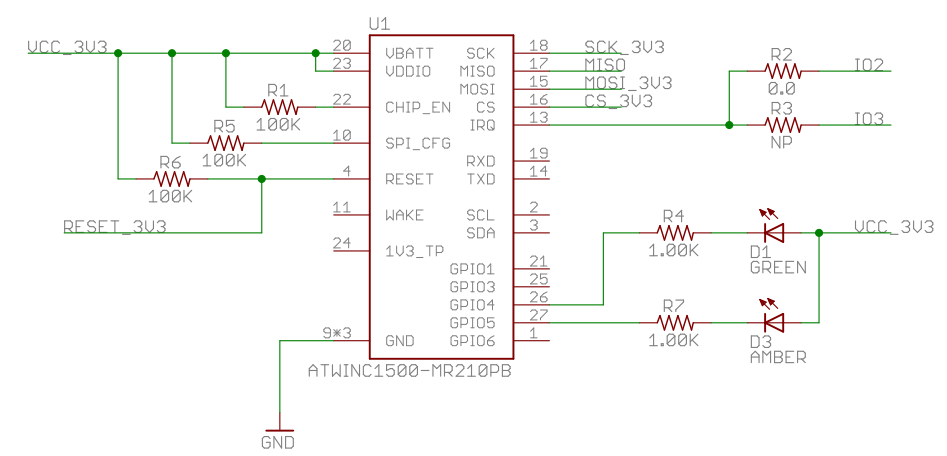
Level Shifter



TinyShield Expansion - Bottom



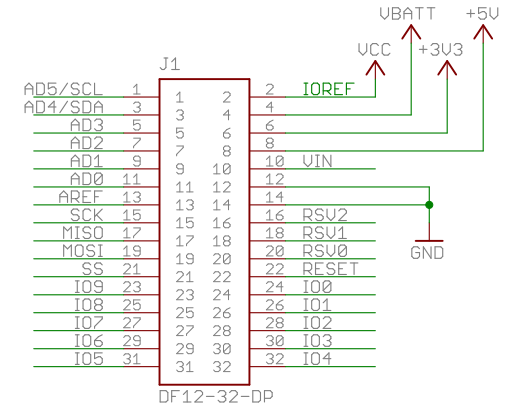
ATWINC1500 WiFi



Interrupt Output
 R2 populated by default
 R3 non-populated by default

LED Status Indicators
 Green LED- WiFi connection
 Amber LED- WiFi data transfer

TinyShield Expansion - Top



Released under the Creative Commons Attribution Share-Alike 3.0 License
<http://creativecommons.org/licenses/by-sa/3.0>

Original Arduino Uno Design by Team Arduino
 LilyPad Arduino Design by Leah Buechley and Sparkfun Electronics
 TinyDuino, TinyLily and TinyShield Designs by TinyCircuits

		http://www.TinyCircuits.com	
TITLE: TinyShield - ATWINC1500			
Document Number: AS-SCH-ASD2123			REV: 1
Date: 1/30/2017 2:47:27 PM			Sheet: 1/1