



LAYOUT SHOWN AS EXAMPLE

Keying Shown as example

CHARACTERISTICS

- Standard : Based on MIL-DTL-38999 Series III
- Shell Material : Aluminium
- Shell Plating : Olive drab Cadmium
- Insulator : Thermoplastic
- Contacts : Copper Alloy
- Seals & Grommet : Silicon Elastomer
- Contact Plating : Gold over copper Alloy 0.8µm minimum
- Durability : 500 Mating cycles
- Delivered without Souriau contacts
- Temperature Range : -65°C to +175°C
- Salt Spray : 500 hours
- Mass : 60.5 g ± 10%

Connector dimension	
Dim	Nominal
P	3.91±0.2
PP	6.15±0.2
R1	38.1
R2	34.93
S	46±0.3
V	20.07+0/-1.25
W	2.1/3.2
Z	31.5 Max
VV THREAD	M37x1-6g

SOURIAU shall not be liable for any non-conformity or damage due to a use of the Products which does not comply with the Specifications issued by either of the Parties or by a third party (professional recommendation, technical notice.)

Country	Jurisdiction & Control List
FR	Not Listed

PN: 8D025W37SCL

A	08-10-2016	First Release	
ISS	DATE	Latest modification - by	MOD N°
Designed By:		Date:	CUSTOMER DRAWING
TITLE	Aluminium Receptacle 8D series		
SCALE	NA	General linear Tolerances: ±--	NPRDS / PROJECT 859
SOURIAU	WWW.SOURIAU.COM		This document is the property of SOURIAU it must not be reproduced or communicated without permission
FORMAT	A3		SOURIAU DRG N° 8D025W37SCL-C SHEET 1/2

BASIC SERIES: 8D 0 - 25 W 37 S C L

SHELL TYPE : Square Flange Receptacle Delivered W/O Contacts

CONTACT TYPE : Standard Crimp Contact ORIENTATION : C

SHELL SIZE : 25 CONTACT TYPE : SOCKET(500 Matings)

PLATING : W = Olive drab Cadmium CONTACT LAYOUT : 25-37

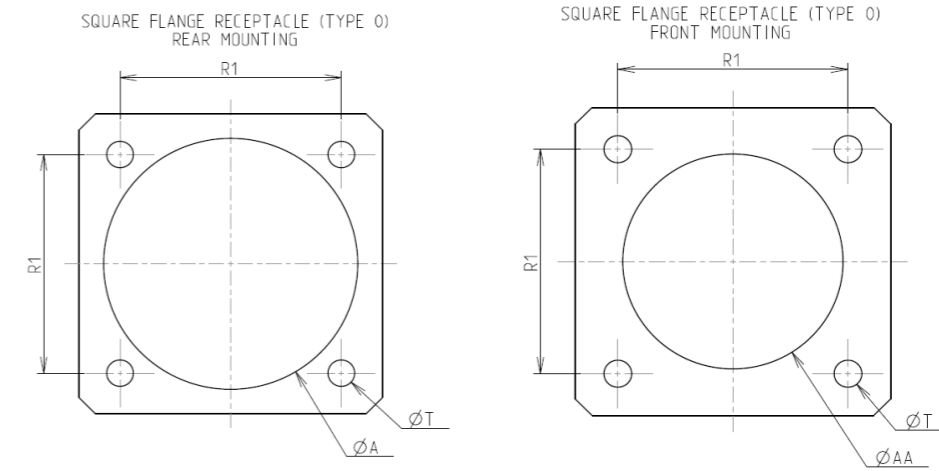
Contact Layout



Contacts (Insert arrangement 25-37)					
Contact position ID	Location		Contact position ID	Location	
	X-axis (mm)	Y-axis (mm)		X-axis (mm)	Y-axis (mm)
A	+000 (.00)	+472 (11.99)	W	+242 (6.15)	+236 (5.99)
B	+185 (4.70)	+472 (11.99)	X	+326 (8.28)	+086 (2.18)
C	+333 (8.46)	+382 (9.70)	Y	+326 (8.28)	-086 (2.18)
D	+441 (11.20)	+249 (6.32)	Z	+242 (6.15)	-236 (5.99)
E	+500 (12.70)	+086 (2.18)	a	+086 (2.18)	-320 (8.13)
F	+500 (12.70)	-086 (2.18)	b	-086 (2.18)	-320 (8.13)
G	+441 (11.20)	-249 (6.32)	c	-242 (6.15)	-236 (5.99)
H	+333 (8.46)	+382 (9.70)	d	-326 (8.28)	-086 (2.18)
J	+186 (4.72)	-472 (11.99)	e	-326 (8.28)	+086 (2.18)
K	+000 (.00)	-472 (11.99)	f	-242 (6.15)	+236 (5.99)
L	-186 (4.72)	-472 (11.99)	g	-086 (2.18)	+320 (8.13)
M	-333 (8.46)	-382 (9.70)	h	+000 (.00)	+172 (4.37)
N	-441 (11.20)	-249 (6.32)	k	+154 (3.91)	+086 (2.18)
P	-500 (12.70)	-086 (2.18)	m	+154 (3.91)	-086 (2.18)
R	-500 (12.70)	+086 (2.18)	n	+000 (.00)	-172 (4.37)
S	-441 (11.20)	+249 (6.32)	p	-154 (3.91)	-086 (2.18)
T	-333 (8.46)	+382 (9.70)	q	-154 (3.91)	+086 (2.18)
U	-186 (4.72)	+472 (11.99)	r	+000 (.00)	+000 (.00)
V	+086 (2.18)	+320 (8.13)	---	---	---

Shell size	Arrangement no.	Number of contacts	Size contacts	Service rating	Contact location	Supersedes
25	37	37	16	II	All	---

Panel Cutout



Dim	Nominal
ØA	42.47 min
ØAA	37.69 min
R1	38.1
ØT	3.81 ±0.13

SOURIAU shall not be liable for any non-conformity or damage due to a use of the Products which does not comply with the Specifications issued by either of the Parties or by a third party (professional recommendation, technical notice.)

Country	Jurisdiction & Control List
FR	Not Listed

PN: 8D025W37SCL

A	08-10-2016	First Release	
ISS	DATE	Latest modification - by	MOD N°
Designed By:		Date:	CUSTOMER DRAWING
TITLE	Aluminium Receptacle 8D series		
SCALE		General linear Tolerances: ±--	NPRDS / PROJECT 859
NA			
SOURIAU	WWW.SOURIAU.COM		This document is the property of SOURIAU it must not be reproduced or communicated without permission
FORMAT	SOURIAU DRG N° 8D025W37SCL-C		SHEET 2/2