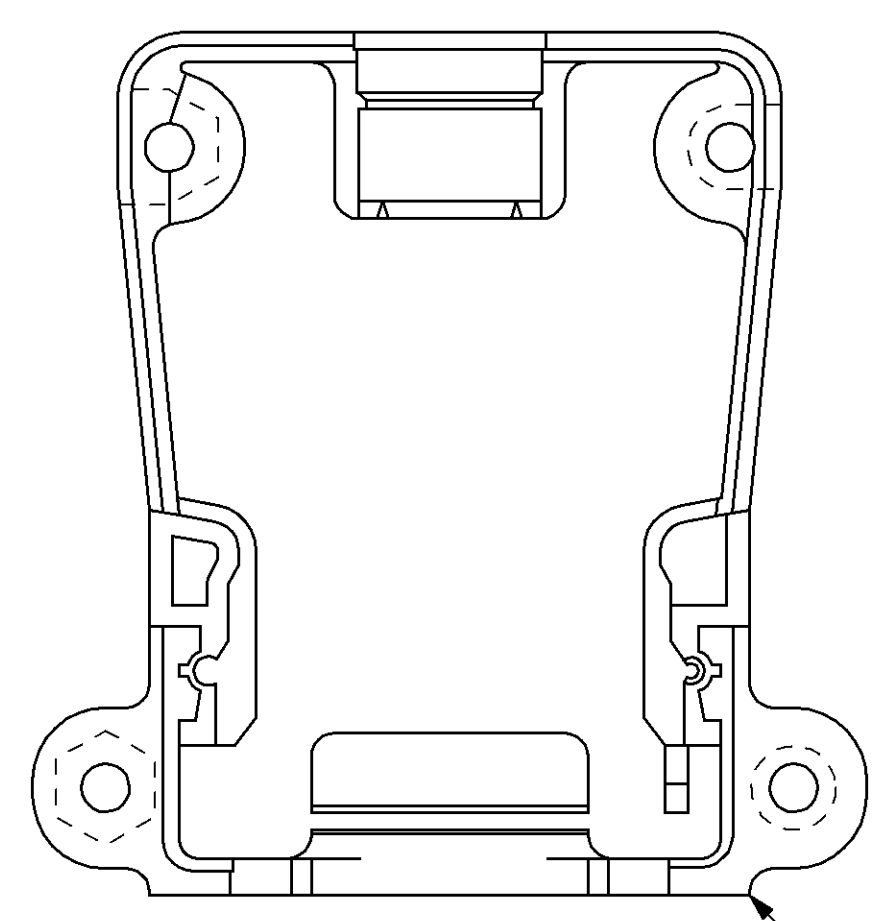
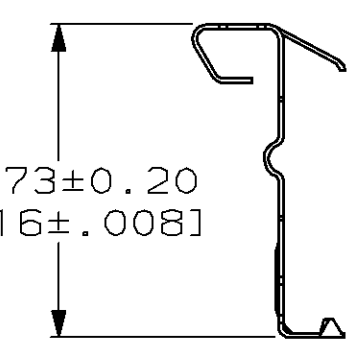


LOC		DIST		REVISIONS			
BD	48	P	LTR	DESCRIPTION	DATE	DWN	APVD
		E		RLSE PER NPR 23	09 APR 97	WGL	-
		F		REV PER EC 0320-169-97	27 MAY 97	MB	GM
		G		REV PER EC 0640-321-98	28 AUG 98	MB	JO
		H		REV PER EC 0640-404-98	16 OCT 98	CO	JO

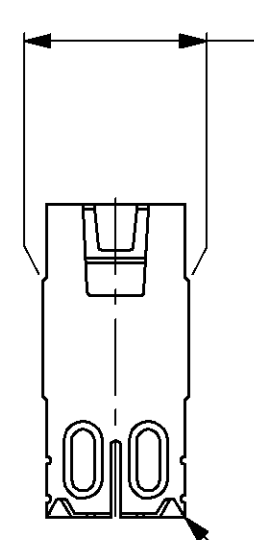
10.11
[.398]



20.73±0.20
[.816±.008]

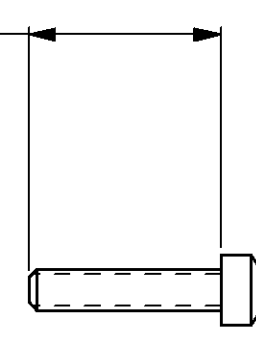


9.65±0.08
[.380±.003]

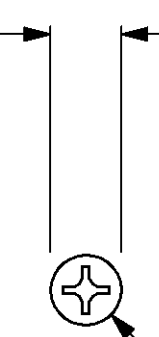


SPRING LATCH
QTY=2 PER KIT
788424-1

12.70^{+0.00}_{-0.76}
[.500 0 -0.030]



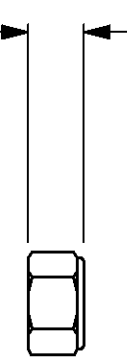
4.65 DIA
[.183]



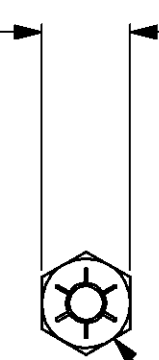
SCREW, 4-40 UNC
QTY=4 PER KIT
4-24282-5

BACKSHELL
QTY=2 PER KIT
788089-4

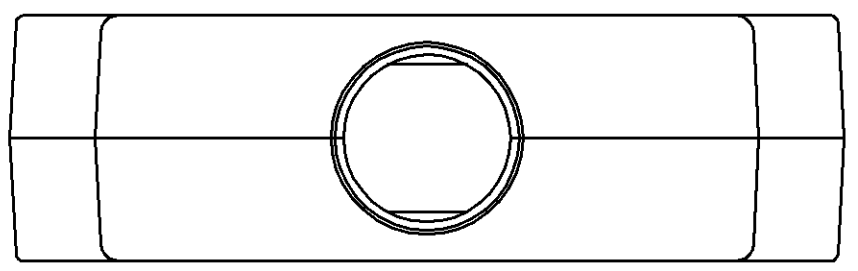
3.63±0.25
[.143±.010]



6.27±0.10 TYP
[.247±.004]
ACROSS FLATS



HEX NUT, LOCKING,
4-40 UNC
QTY=4 PER KIT
986046-2



43.89
[1.728]

16.26±0.25
[.640±.010]

HEX NUT

SCREW

BACKSHELL

SPRING LATCH

57.10
[2.248]

55.17
[2.172]

ASSEMBLED VIEWS

- ⚠ BACKSHELL: ABS, NATURAL.
SPRING LATCH: STAINLESS STEEL, HEAT TREATED.
SCREW AND HEX NUT: CARBON STEEL.
- ⚠ BACKSHELL: 4.57µm [.000180] MIN NICKEL OVER 7.62µm [.000300] MIN COPPER,
ALL OVER 0.25µm [.000010] MIN ELECTROLESS NICKEL.
SCREW AND HEX NUT: ZINC.
- ⚠ KITS ARE INDIVIDUALLY PACKED.
- ⚠ KITS ARE BULK PACKED.

4	788069-2
3	788069-1
PART NUMBER	

THIS DRAWING IS A CONTROLLED DOCUMENT.		DWN H. G. LENKER 14 APR 97	03 OCT 96	AMP	AMP Incorporated Harrisburg, PA 17105-3508
DIMENSIONS: mm (INCHES)		CHK R. STONE 14 APR 97	NAME G. D. MILLER		PRODUCT SPEC 108-40032-1
TOLERANCES UNLESS OTHERWISE SPECIFIED:		APVD G. D. MILLER 14 APR 97		APPLICATION SPEC	
0 PLC ±.05		PRODUCT SPEC		SIZE A1	
1 PLC ±.03		APPLICATION SPEC		CAGE CODE 00779	
2 PLC ±.02		WEIGHT		DRAWING NO 788069	
3 PLC ±.01		MATERIAL		SCALE 2:1	
4 PLC ±.005		FINISH		SHEET 1 OF 1	
ANGLES ±.5		CUSTOMER DRAWING		REV H	