

PLEASE CHECK WWW.MOLEX.COM FOR LATEST PART INFORMATION

Part Number: **0358421307**
Status: **Active**
Overview: Automotive Bulb Sockets
Description: PT Bulb Socket, Double Housing Assembly, Type A, P21/5W, Sealed, Brown

Documents:

3D Model [Packaging Specification PK-35842-001-001 \(PDF\)](#)
Drawing (PDF) [RoHS Certificate of Compliance \(PDF\)](#)
3D Model (PDF)

General

Product Family	Other Sockets
Series	<u>35842</u>
Comments	A-Type
Component Type	Socket
Overview	<u>Automotive Bulb Sockets</u>
Product Name	PT Bulb Socket
UPC	756054269756

Physical

Circuits (Loaded)	3
Circuits (maximum)	3
Color - Resin	Brown
Durability (mating cycles max)	Contact Molex
Entry Angle	Vertical
Keying to Mating Part	None
Material - Metal	Phosphor Bronze
Material - Resin	Nylon
Net Weight	10.400/g
PCB Locator	No
PCB Retention	N/A
Packaging Type	Bag
Pitch - Mating Interface	N/A
Temperature Range - Operating	-40° to +85°C
Termination Interface: Style	Through Hole

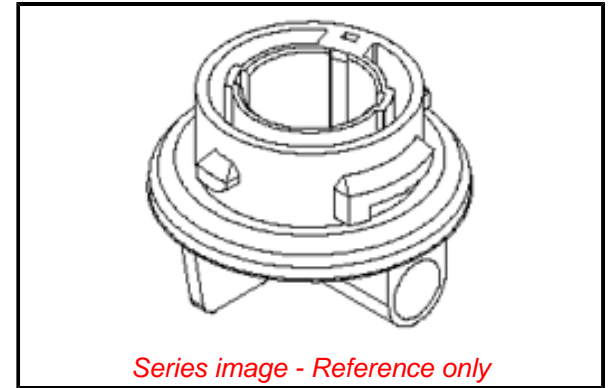
Electrical

Current - Maximum per Contact	7.0A
Voltage - Maximum	12V

Material Info

Reference - Drawing Numbers

Packaging Specification	PK-35842-001-001
Sales Drawing	SD-35842-001



Series image - Reference only

EU ELV

Compliant

EU RoHS

Compliant

REACH SVHC

Not Contained Per -
D(2020)9139-DC (19
Jan 2021)

Halogen-Free

Status

Low-Halogen

For more information, please visit [Contact US](#)

China ROHS

ELV

RoHS Phthalates

China RoHS

Not Relevant

Compliant

Not Contained

Search Parts in this Series

35842 Series

Mates With

Bayonet Base Bulb

Use With

Positive Terminal for PT Bulb Socket
354648000
Earth Terminal for PT Bulb
Socket 354658000
Positive Wire Seal
359030096
Earth Wire Seal 359030106