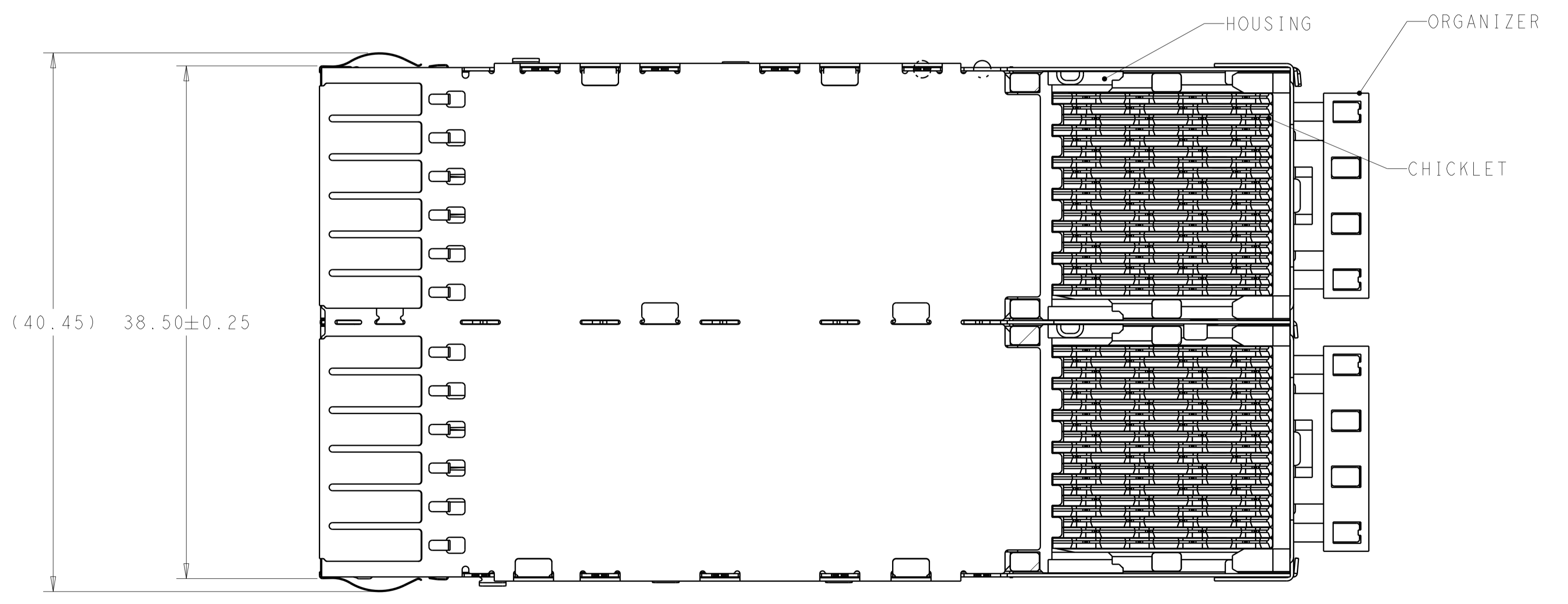
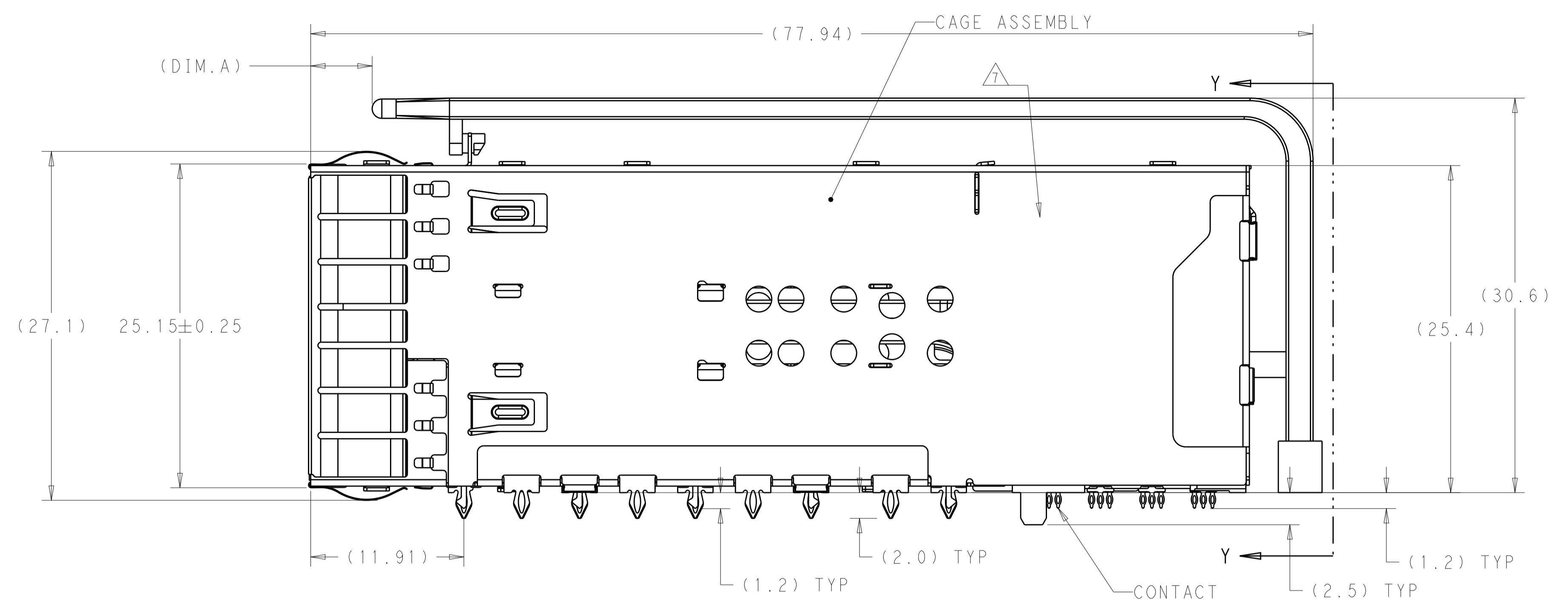
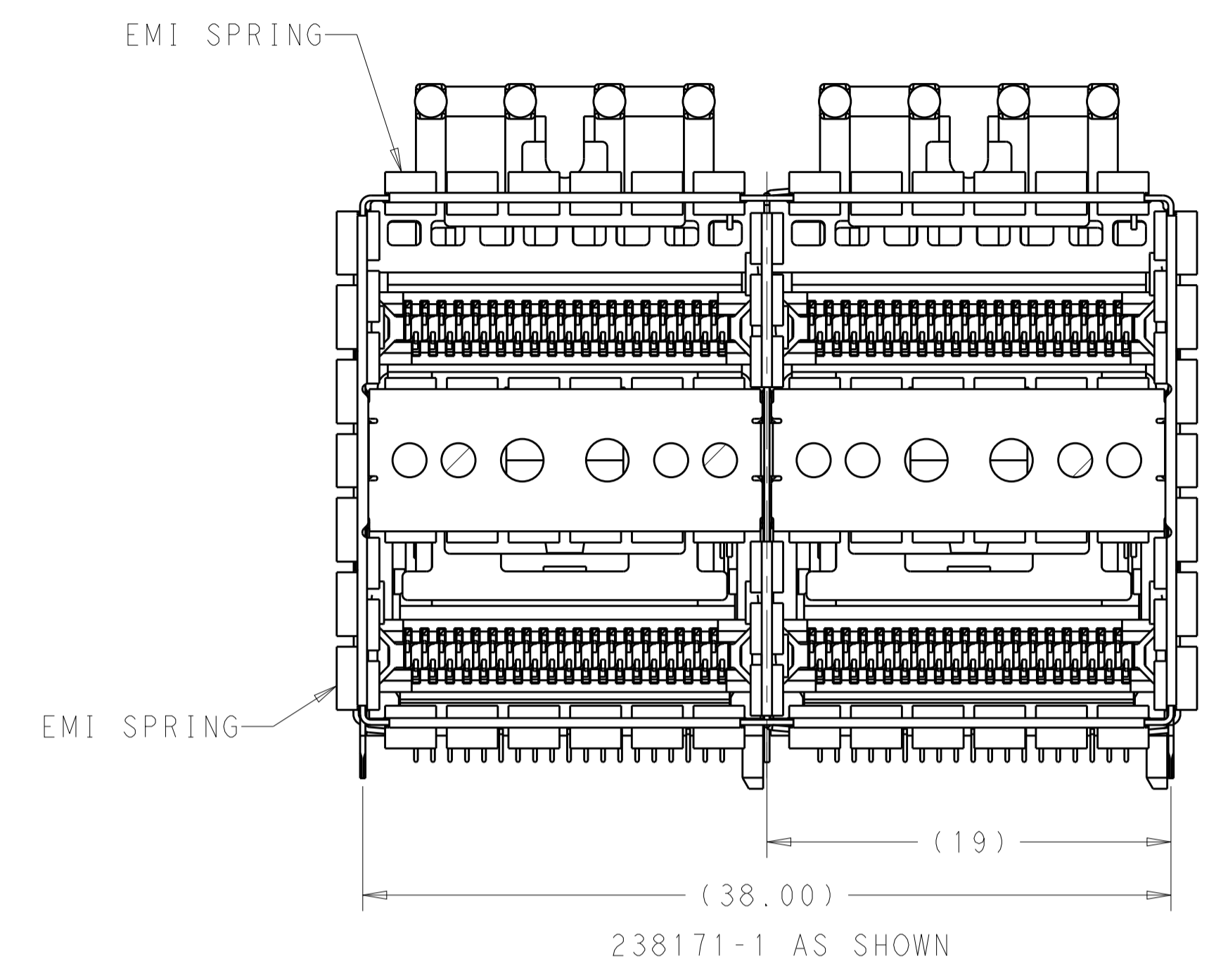


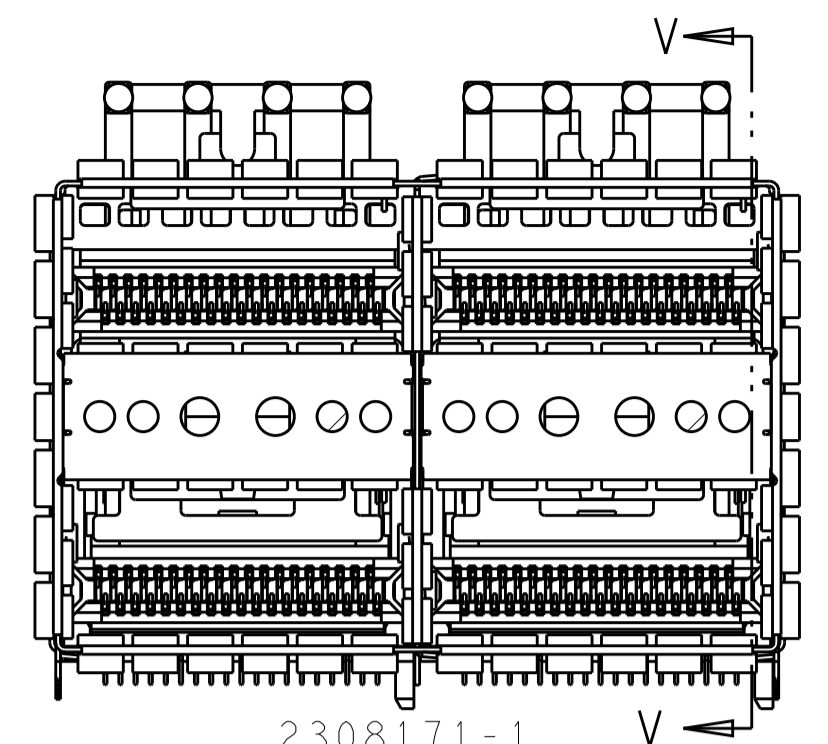
LOC	DIST	REVISIONS			
P	LTN	DESCRIPTION	DATE	DMN	APVD
C		REVISED PER ECO-18-020051	24DEC2018	TX	SH
D		REVISED PER ECR-20-014390	14OCT2020	RM	SH
D1		REVISED PER ECO-21-000016	04JAN2021	SH	SZ



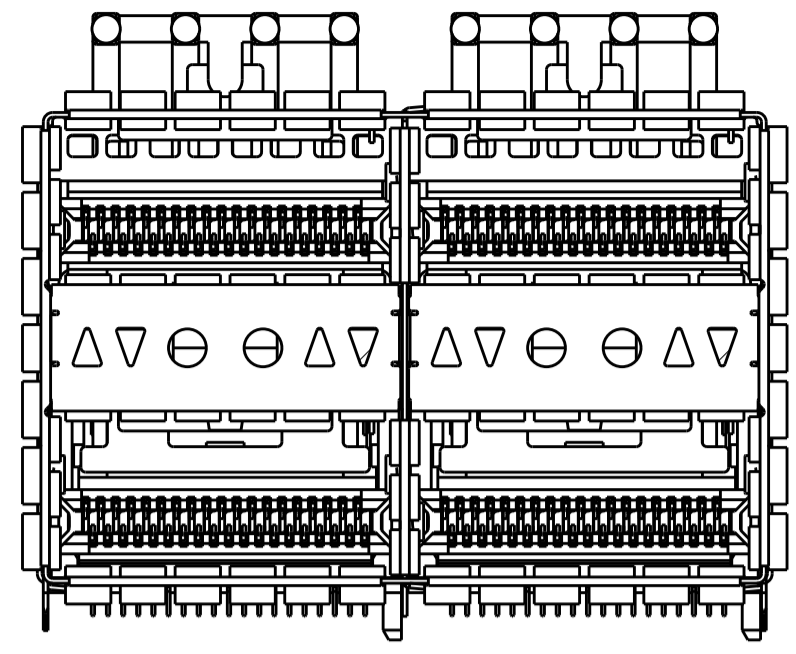
- MATERIALS:  
 CAGE ASSEMBLY- NICKEL SILVER ALLOY PER ASTM B 122.  
 EMI SPRING- COPPER ALLOY, NICKEL PLATED.  
 HOUSING- POLYESTER LCP WITH 94V-0.  
 CHICKLET- POLYESTER LCP WITH 94V-0.  
 CONTACT- COPPER ALLOY.  
 LIGHTPIPE- POLYCARBONATE WITH 94V-0.
- △ CONTACT FINISH: 0.76µm MIN GOLD ON MATING AREA, 0.7-1.5µm MATT TIN ON COMPLIANT AREA, ALL OVER 1.27µm MIN NICKEL.
  - △ DATUM AND BASIC DIMENSION ESTABLISHED BY CUSTOMER.
  - 4. MINIMUM PCB THICKNESS OF 3.0 FOR BELLY TO BELLY APPLICATION.
  - △ THE ENTIRE AREA OF THE CONNECTOR FOOTPRINT, INDICATED BY THE DASHED LINE, TO BE CONSIDERED THE KEEPOUT AREA FOR COMPONENTS AND TRACES.
  - △ CROSS-HATCHED AREAS REPRESENT ZONES ON THE PCB THAT COME IN CONTACT WITH OR BE IN CLOSE PROXIMITY TO THE PLASTIC HOUSING OR THE CONNECTOR CAGE. INDICATED AREAS TO BE CONSIDERED TRACE FREE.
  - △ PART NUMBER AND DATE CODE MADE IN APPROXIMATE AREA SHOWN.
  - △ HATCHED AREA IS PLACEMENT ZONE FOR LED. LED SHOULD BE CENTERED WITHIN ZONE. RECOMMEND 0805 PACKAGE.

THIS DRAWING IS A CONTROLLED DOCUMENT.		DMN TIM XUE 17AUG2016	<b>STE</b> TE Connectivity
DIMENSIONS: mm		CHK SEAN HAN 17AUG2016	
TOLERANCES UNLESS OTHERWISE SPECIFIED:		APVD SEAN HAN 17AUG2016	NAME zQSFP+ 2X2 4 INTERNAL LIGHT PIPES WITH EMI SPRING FINGERS, BELLY TO BELLY APPLICATION
0 PLC ±		PRODUCT SPEC	SIZE A100779
1 PLC ±0.25		APPLICATION SPEC	CAGE CODE 2308171
2 PLC ±0.20		WEIGHT	RESTRICTED TO
3 PLC ±		114-60015	SCALE 4:1
4 PLC ±		CUSTOMER DRAWING	SHEET 1 OF 10
ANGLES ±			REV D1
FINISH			
SEE NOTE 1	SEE NOTE 2		

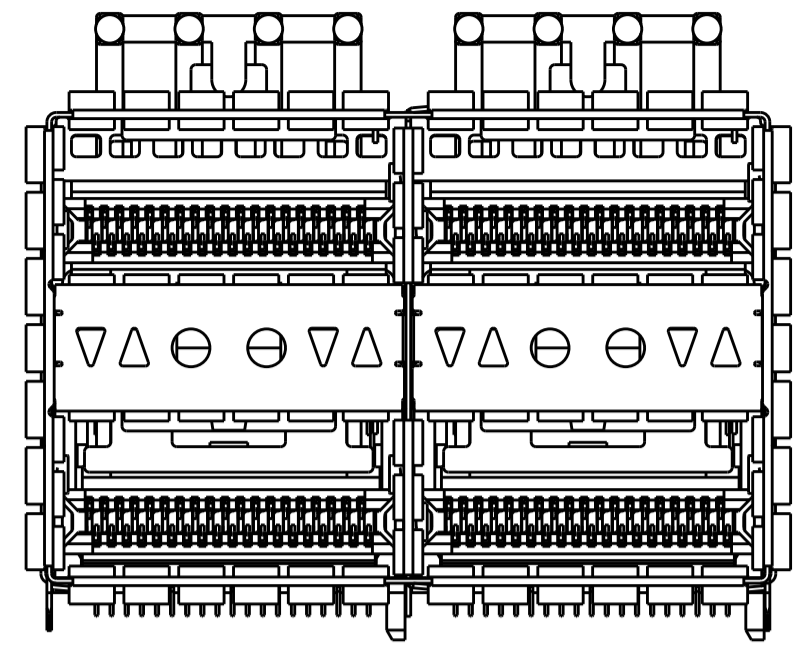
LOC	DIST	REVISIONS					
GP	00	P	LYR	DESCRIPTION	DATE	OWN	APVD
		-		SEE SHEET 1			



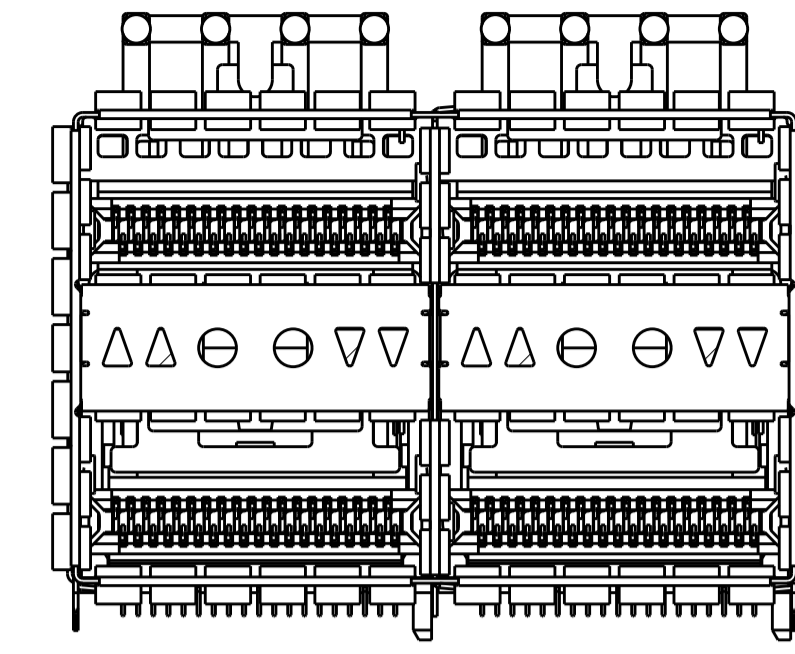
2308171-1  
 2308171-7  
 1-2308171-0  
 3-2308171-0  
 ALL ROUND INDICATOR, 4LP  
 SCALE 5:2



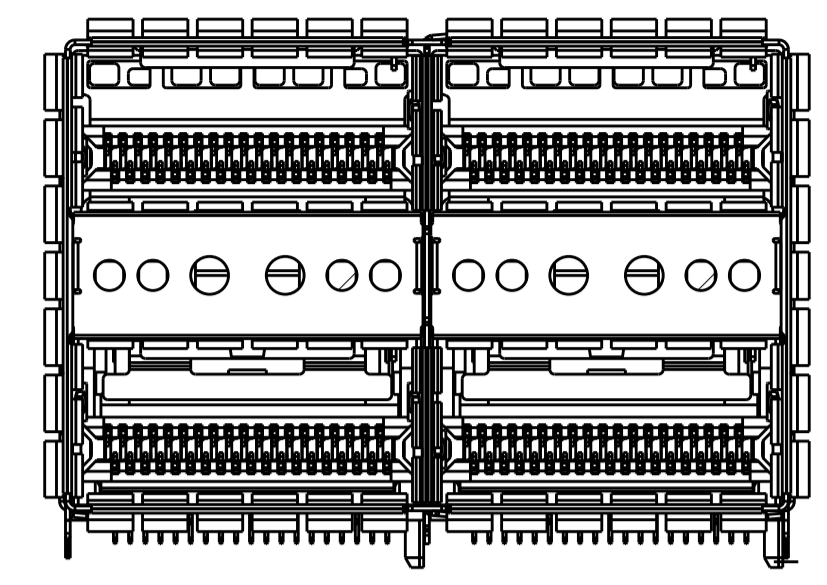
2308171-2  
 LEFT INDICATOR UP  
 SCALE 5:2



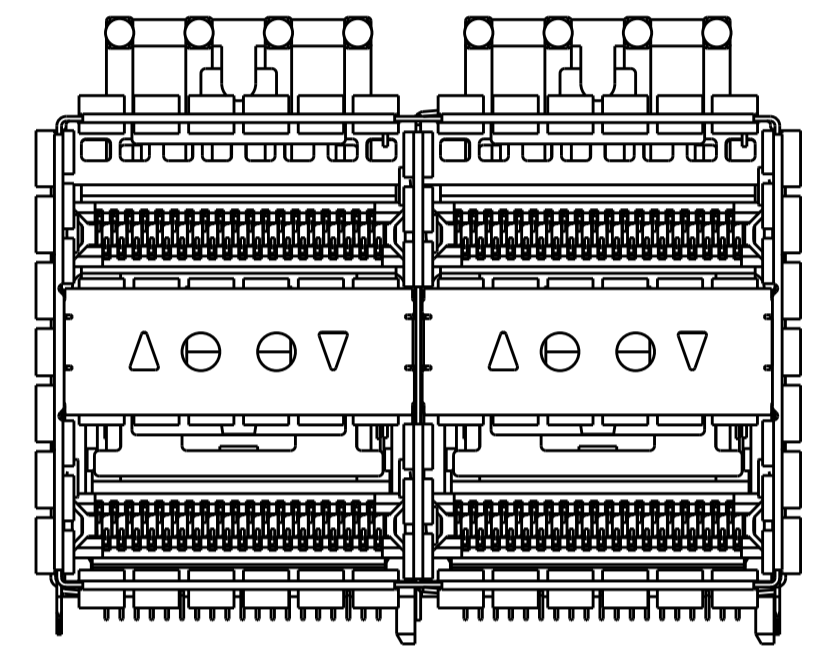
2308171-3  
 LEFT INDICATOR DOWN  
 SCALE 5:2



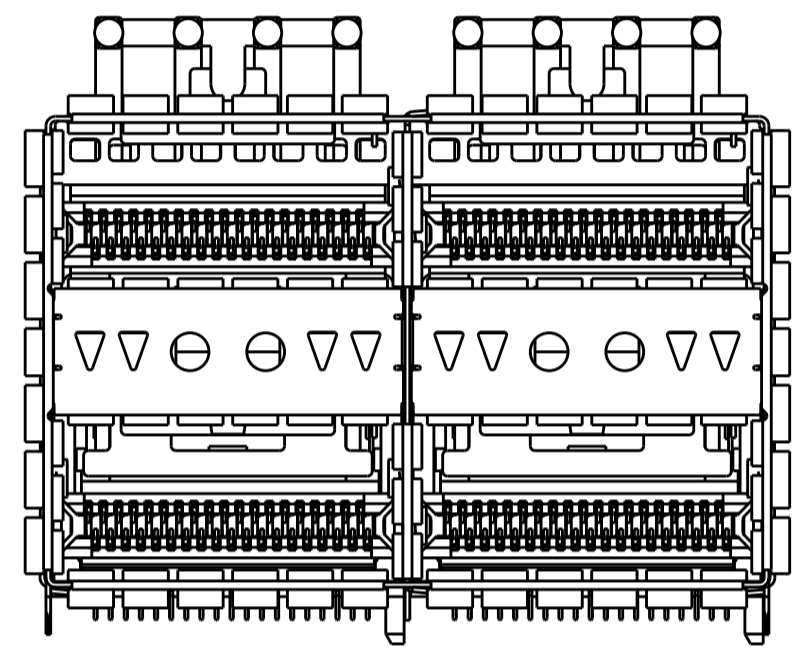
2308171-4  
 LEFT INDICATOR UP  
 SCALE 5:2



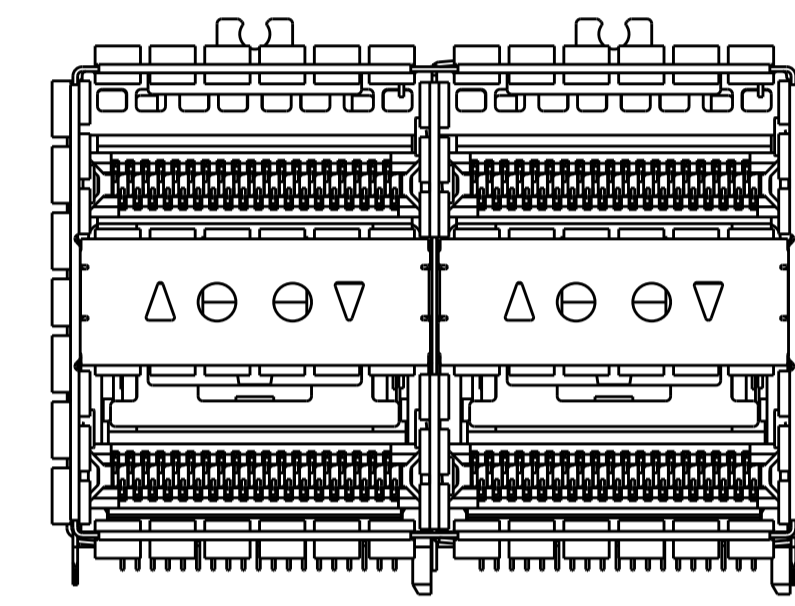
1-2308171-2  
 ALL ROUND INDICATOR  
 SCALE 5:2



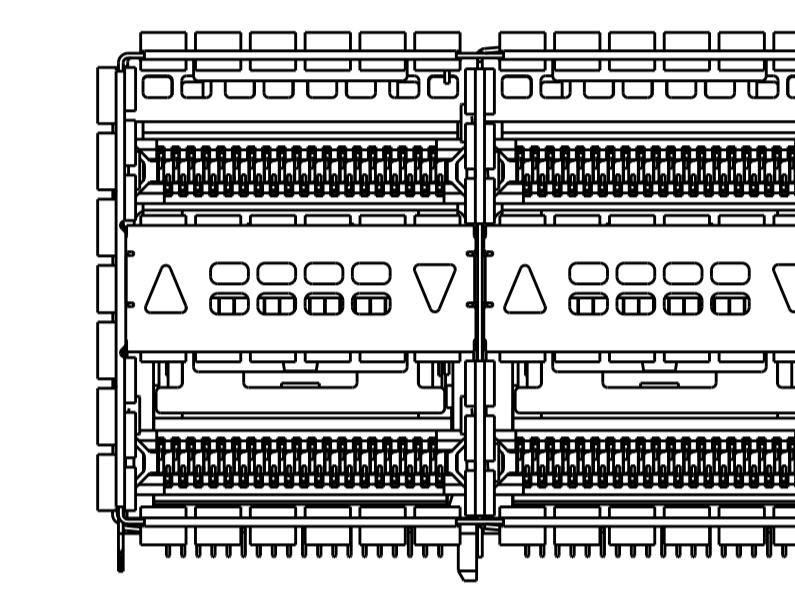
2308171-5  
 LEFT INDICATORS UP(2 LIGHT PIPES)  
 SCALE 5:2



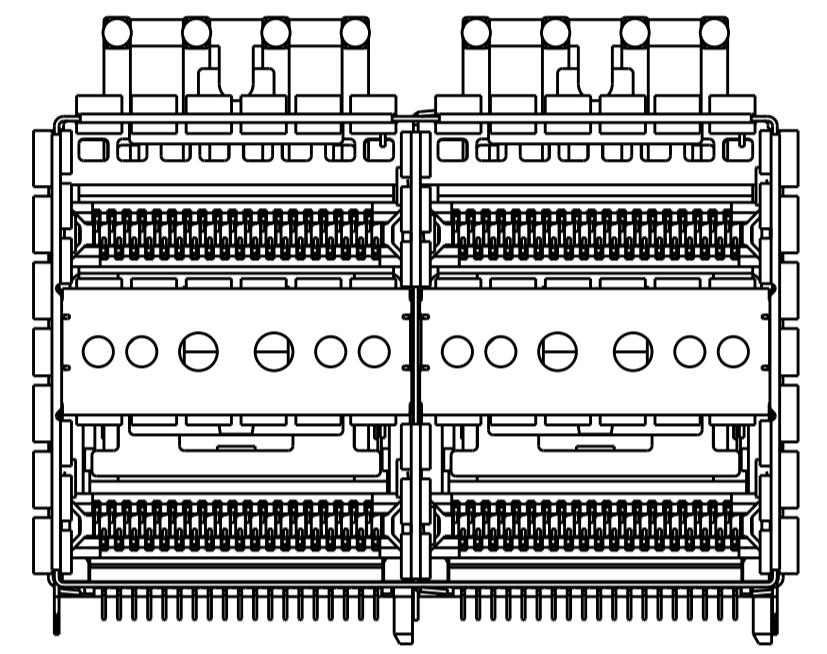
2308171-6  
 ALL INDICATORS DOWN  
 SCALE 5:2



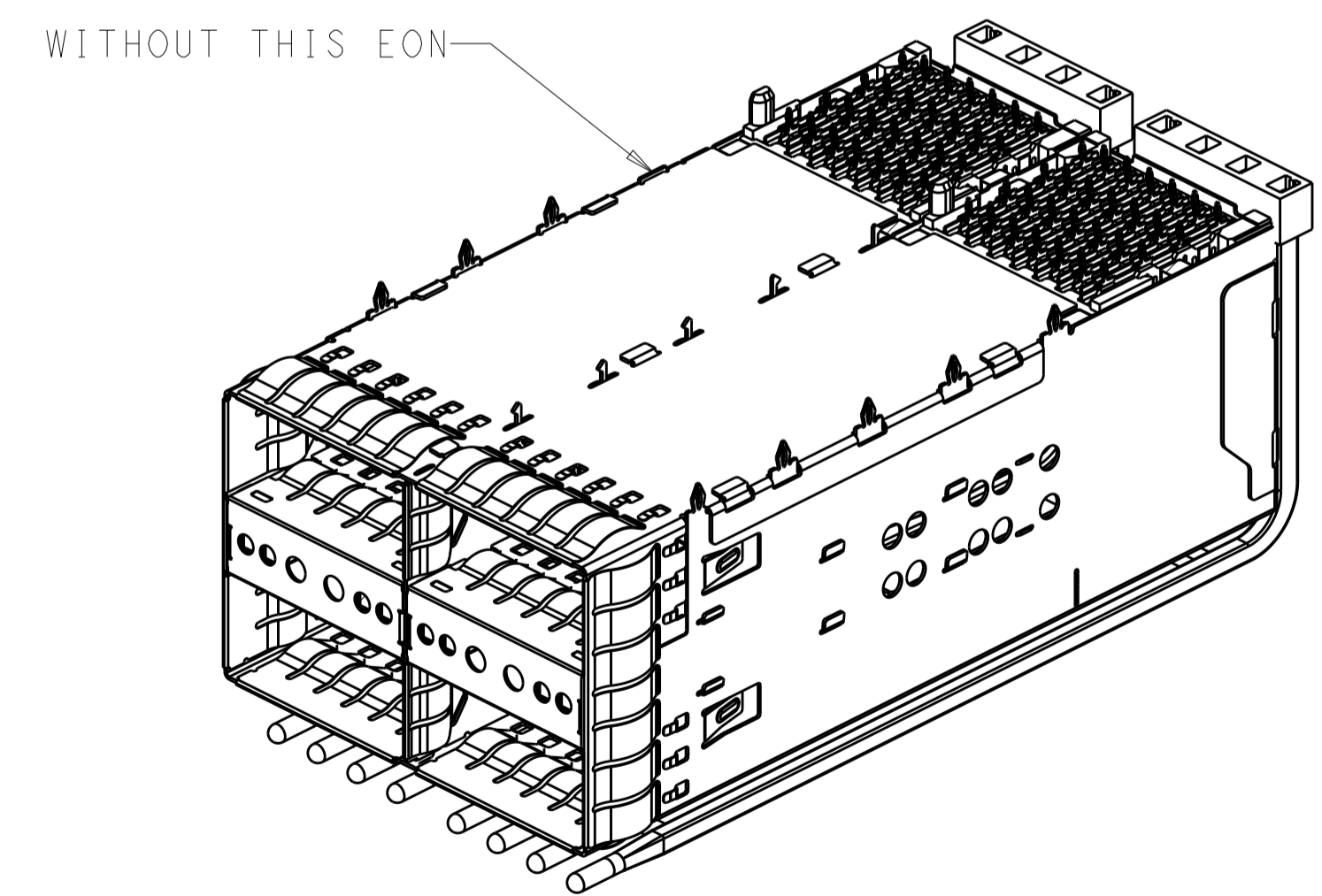
2308171-8  
 W/O TOP LIGHT PIPE  
 SCALE 5:2



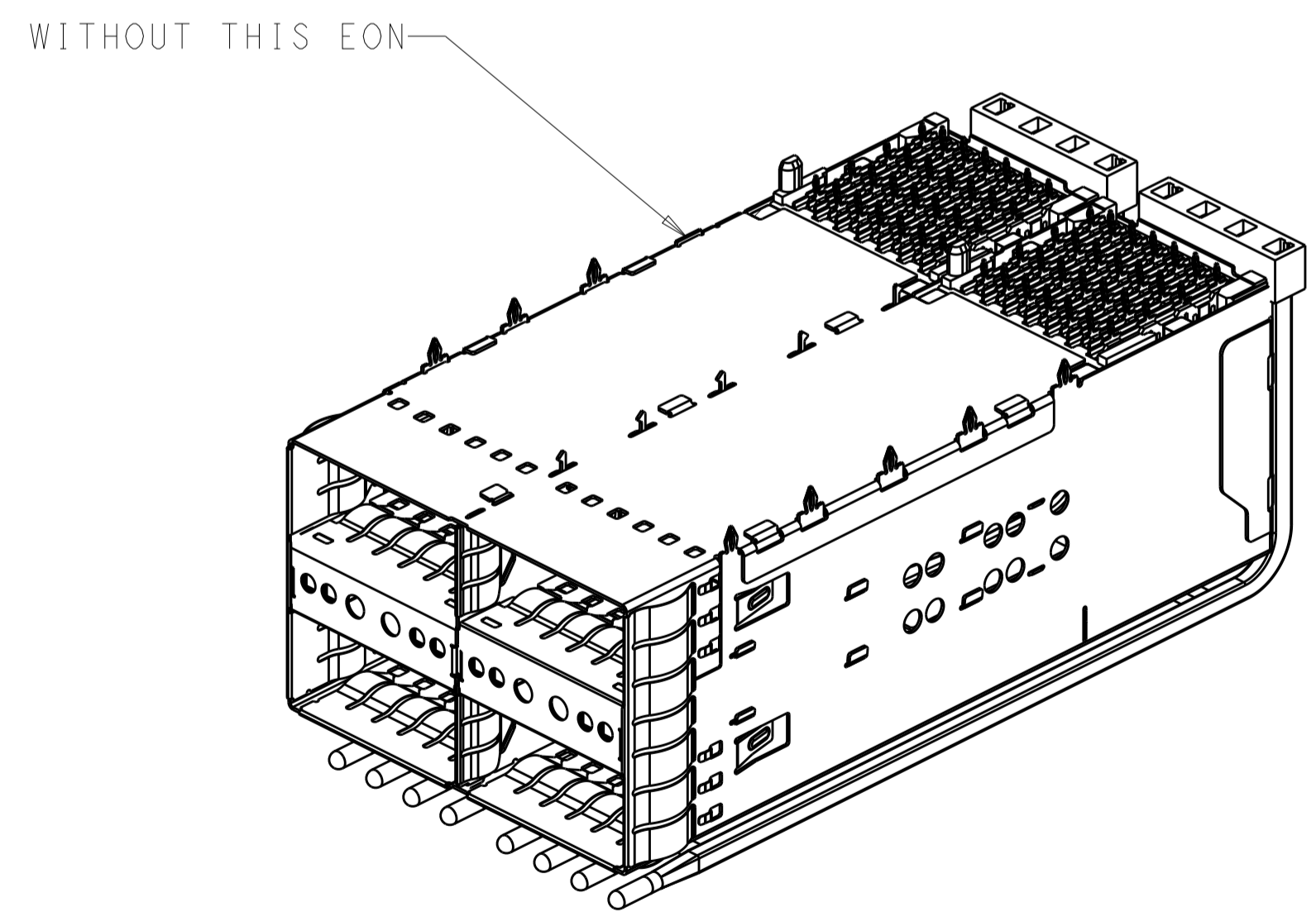
2308171-9  
 W/O TOP LIGHT PIPE  
 SCALE 5:2



1-2308171-1  
 3-2308171-1  
 ALL ROUND INDICATOR, 4LP  
 WITHOUT BOTTOM EMI SPRINGS  
 SCALE 5:2



1-2308171-0  
 3-2308171-0  
 BOTTOM VIEW  
 SCALE 2:1



1-2308171-1  
 3-2308171-1  
 BOTTOM VIEW  
 SCALE 2:1

REMARK	DIM. A	CONTACT FINISH	DESCRIPTION	PART NUMBER
W/O ORGANIZER, W/O TOP LP	N/A	2	LEFT INDICATOR DOWN, 4LP	1-2308171-3
W/ ORGANIZER, UNCOATED LP	0.1	2	ALL ROUND INDICATOR, 4LP	3-2308171-1
W/ ORGANIZER, UNCOATED LP	0.1	2	ALL ROUND INDICATOR, 4LP	3-2308171-0
W/ ORGANIZER, UNCOATED LP	N/A	2	NO INTRENAL LP	2-2308171-1
W/ ORGANIZER, UNCOATED LP	N/A	2	NO INTRENAL LP	2-2308171-0
W/O ORGANIZER, W/O TOP LP	N/A	2	ALL ROUND INDICATOR	1-2308171-2
W/ ORGANIZER, UNCOATED LP	1.6	2	ALL ROUND INDICATOR, 4LP	1-2308171-1
W/ ORGANIZER, UNCOATED LP	1.6	2	ALL ROUND INDICATOR, 4LP	1-2308171-0
W/O ORGANIZER, W/O TOP LP	N/A	2	LEFT INDICATOR UP, 2LP	2308171-9
W/O ORGANIZER, W/O TOP LP	N/A	2	LEFT INDICATOR UP, 2LP	2308171-8
W/O ORGANIZER, UNCOATED LP	1.6	2	ALL ROUND INDICATOR, 4LP	2308171-7
W/ ORGANIZER, UNCOATED LP	1.6	2	ALL INDICATOR DOWN, 4LP	2308171-6
W/O ORGANIZER, UNCOATED LP	4.8	2	LEFT INDICATOR UP, 2LP	2308171-5
W/O ORGANIZER, UNCOATED LP	4.8	2	LEFT INDICATOR UP, 4LP	2308171-4
W/O ORGANIZER, UNCOATED LP	4.8	2	LEFT INDICATOR DOWN, 4LP	2308171-3
W/O ORGANIZER, UNCOATED LP	4.8	2	LEFT INDICATOR UP, 4LP	2308171-2
W/ ORGANIZER, UNCOATED LP	4.8	2	ALL ROUND INDICATOR, 4LP	2308171-1

THIS DRAWING IS A CONTROLLED DOCUMENT.

OWN: TIM XUE 17AUG2016  
 CHG: SEAN HAN 17AUG2016  
 APVD: SEAN HAN 17AUG2016

NAME: zOSFP+ 2X2 4 INTERNAL LIGHT PIPES WITH EMI SPRING FINGERS, BELLY TO BELLY APPLICATION

PRODUCT SPEC: 108-60102  
 APPLICATION SPEC: 114-60015

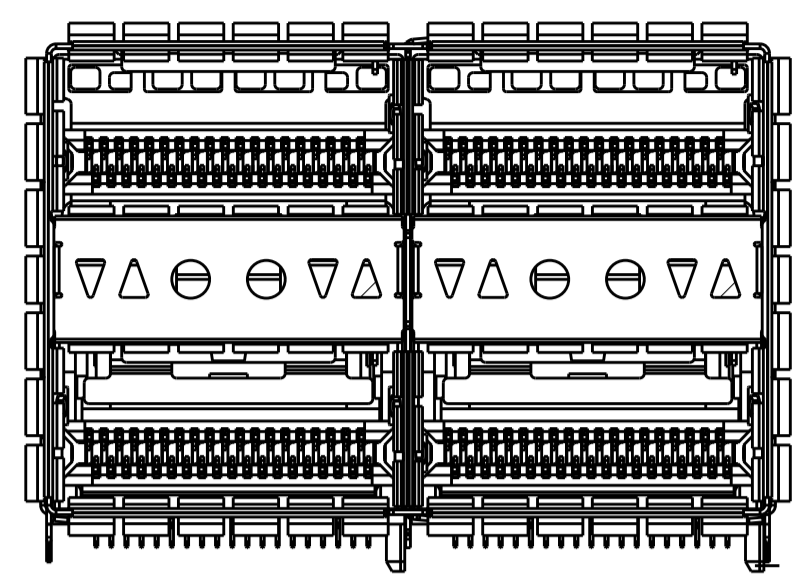
SIZE: A100779  
 CAGE CODE: 2308171

SCALE: 4:1 SHEET 2 OF 10 REV D1


STE TE Connectivity

THIS DRAWING IS UNPUBLISHED. RELEASED FOR PUBLICATION 20  
 © COPYRIGHT 20 BY TYCO ELECTRONICS CORPORATION ALL RIGHTS RESERVED.

LOC		DIST		REVISIONS			
GP	00	P	LTN	DESCRIPTION	DATE	DWN	APVD
-	-	-	-	SEE SHEET 1	-	-	-

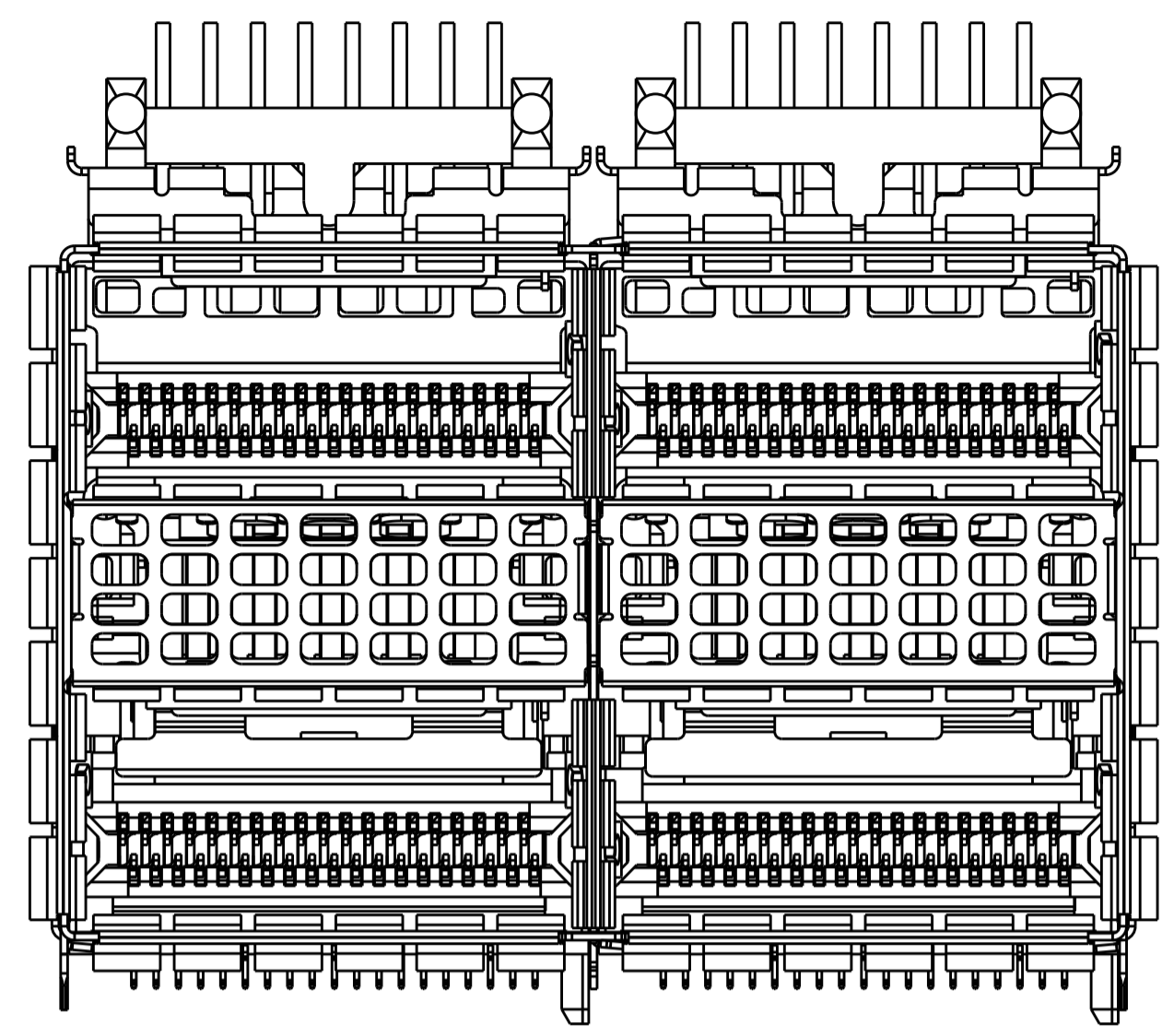


1-2308171-3  
 LEFT INDICATOR DOWN  
 SCALE 5:2

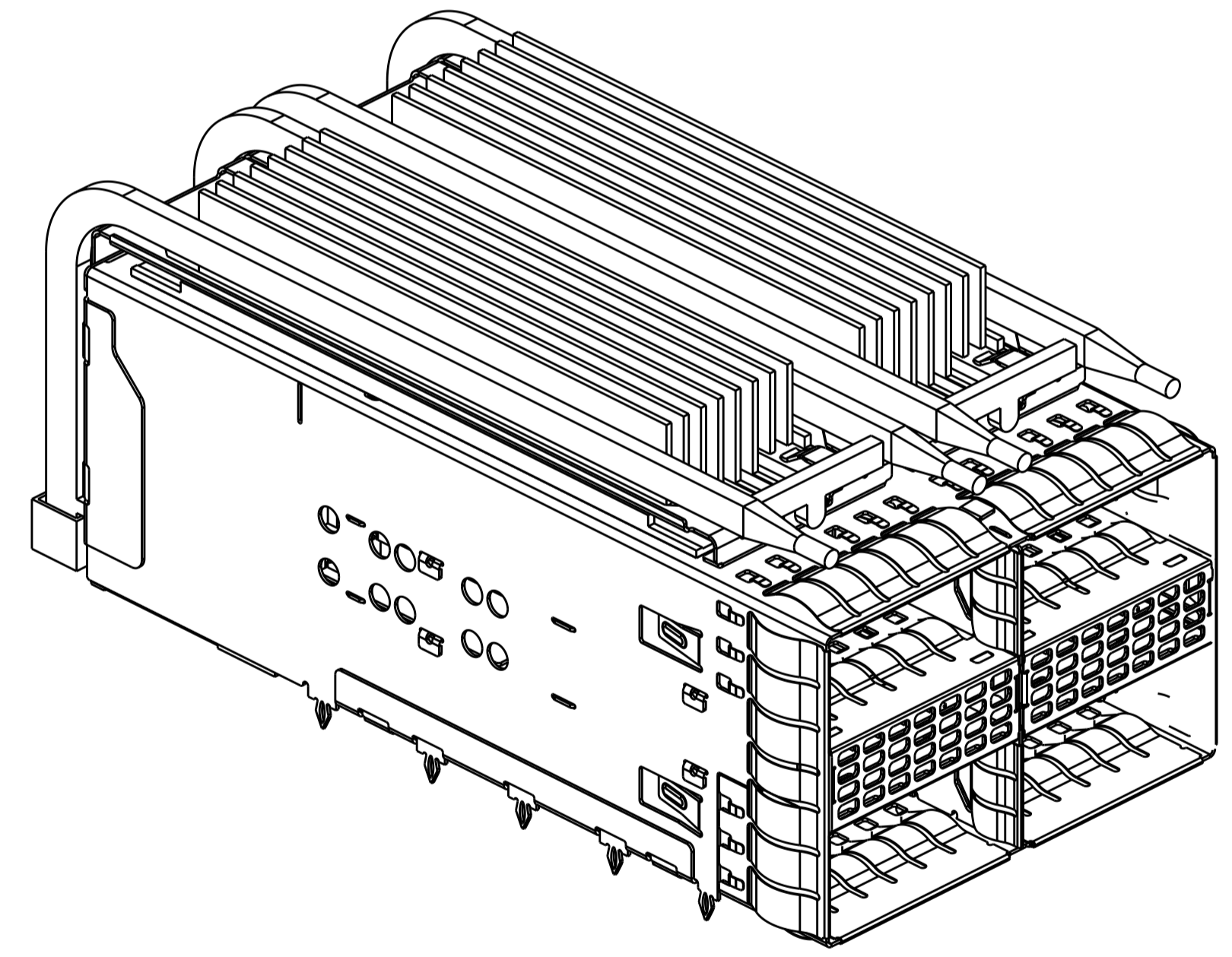
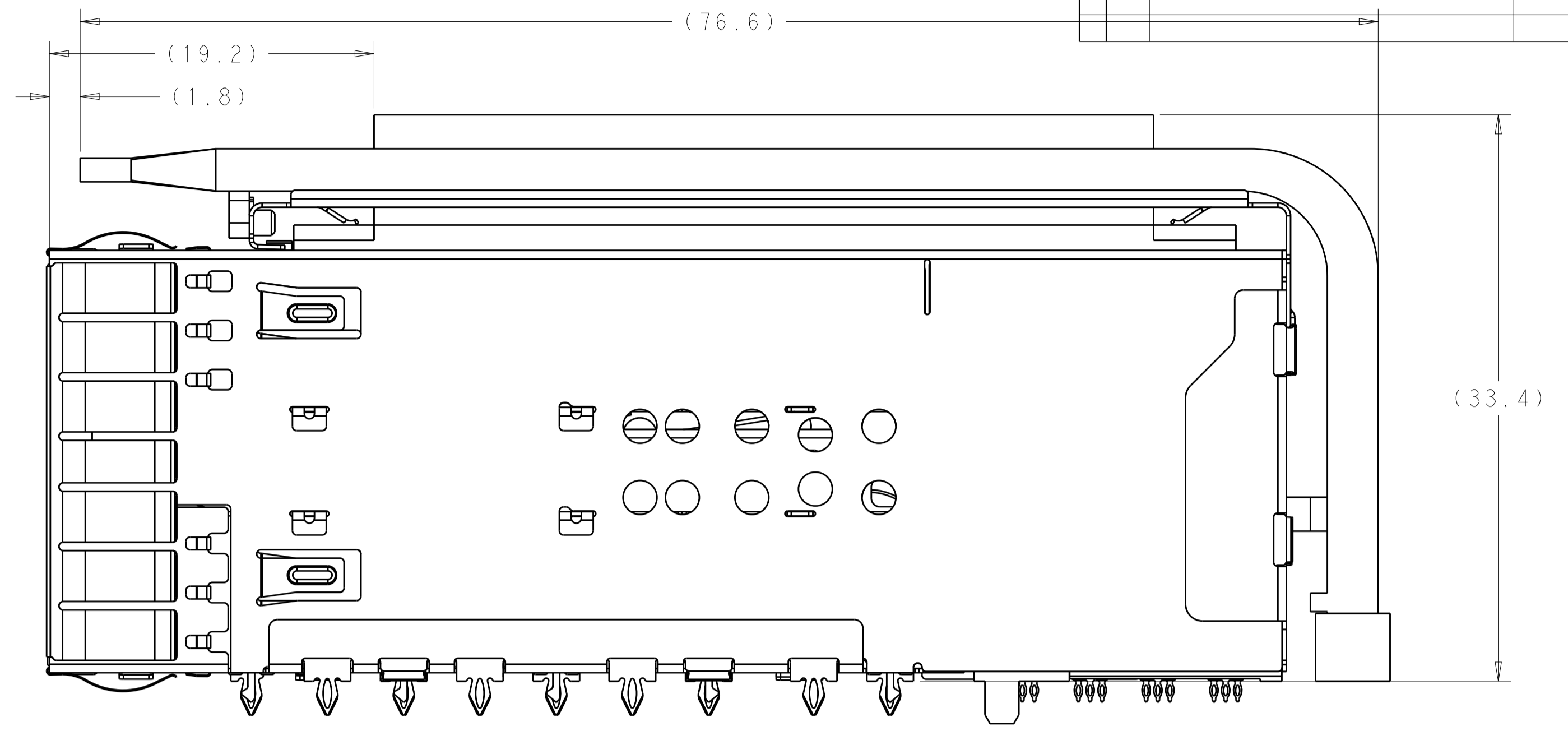
THIS DRAWING IS A CONTROLLED DOCUMENT.		DWN	TIM XUE	17AUG2016	 TE Connectivity
DIMENSIONS:		CHK	SEAN HAN	17AUG2016	
TOLERANCES UNLESS OTHERWISE SPECIFIED:		APVD	SEAN HAN	17AUG2016	
mm	0 PLC ±	PRODUCT SPEC		NAME	zOSFP+ 2X2.4 INTERNAL LIGHT PIPES WITH EMI SPRING FINGERS, BELLY TO BELLY APPLICATION
	1 PLC ±0.25	108-60102		SIZE	
	2 PLC ±0.20	APPLICATION SPEC		CAGE CODE	114-60015
	3 PLC ±	RESTRICTED TO		WEIGHT	-
	4 PLC ±	MATERIAL		SEE NOTE 1	SEE NOTE 2
	ANGLES ±	CUSTOMER DRAWING		SCALE	4:1
	FINISH	SHEET		3	OF 10
		REV		1	

LOC	DIST	REVISIONS			
P	LYR	DESCRIPTION	DATE	DWN	APVD
GP	00	SEE SHEET 1			

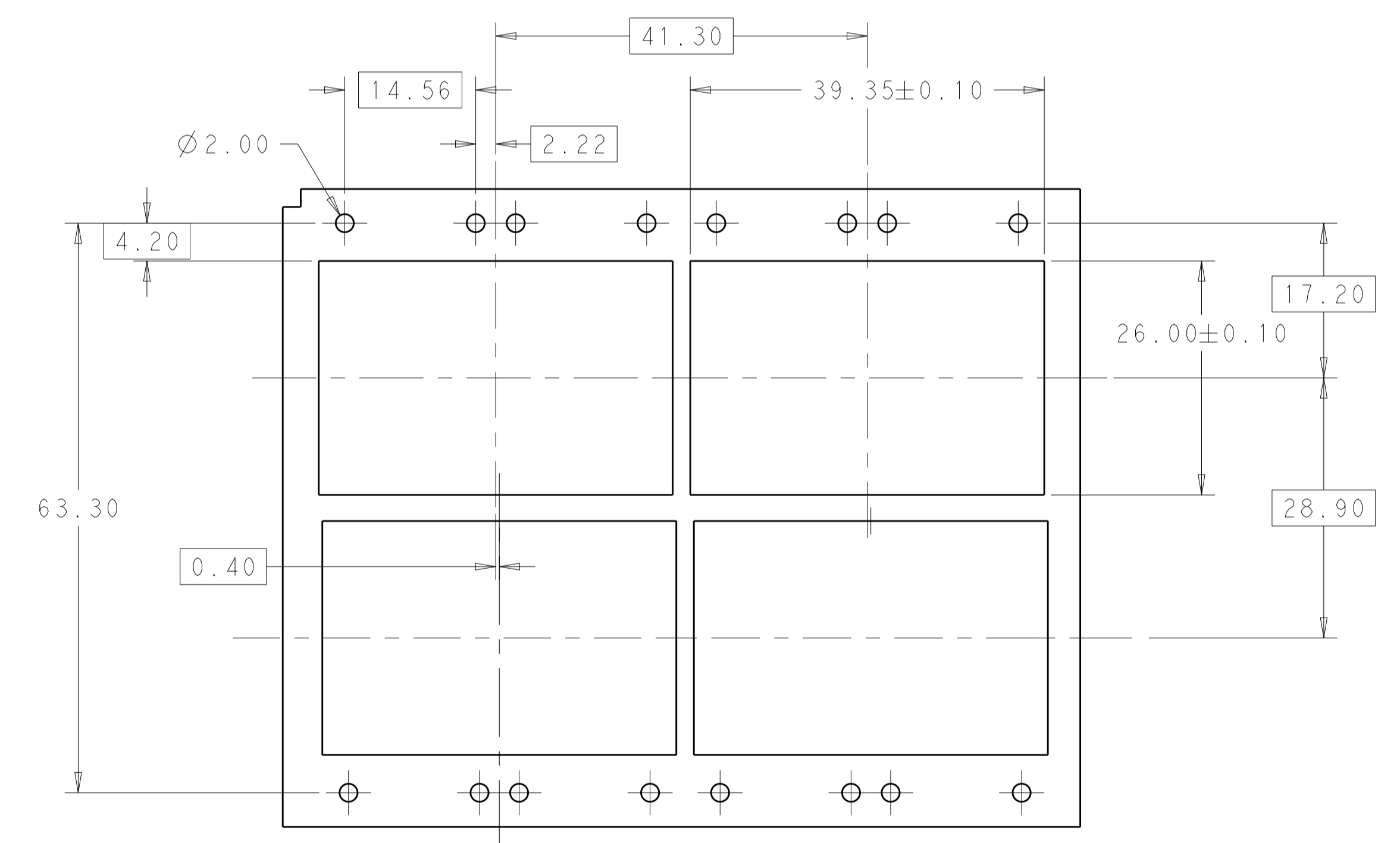
2-2308171-0 AS SHOWN



2-2308171-0  
SCALE 4:1



SCALE 5:2

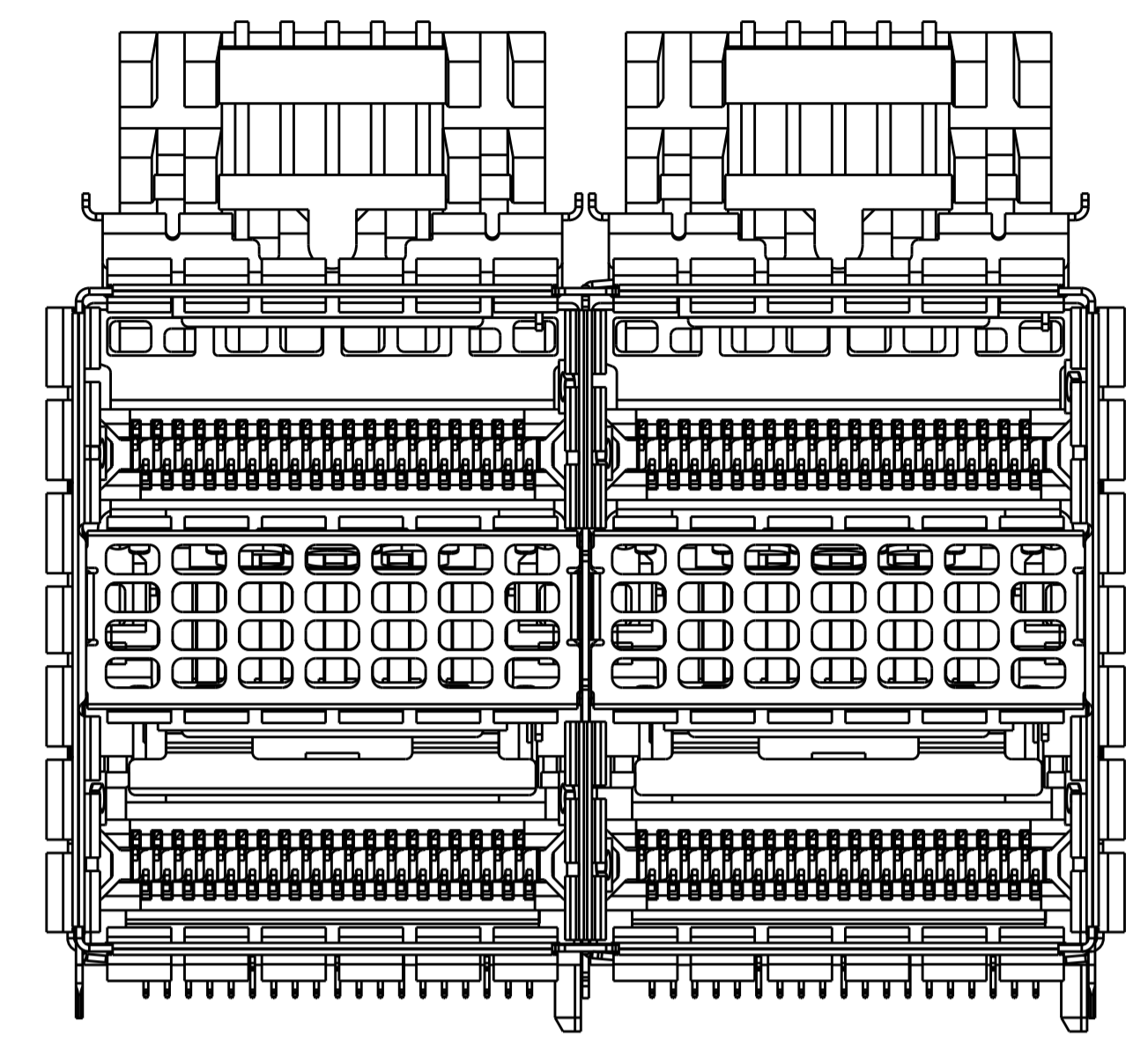


2-2308171-0 PANEL  
SCALE 2:1

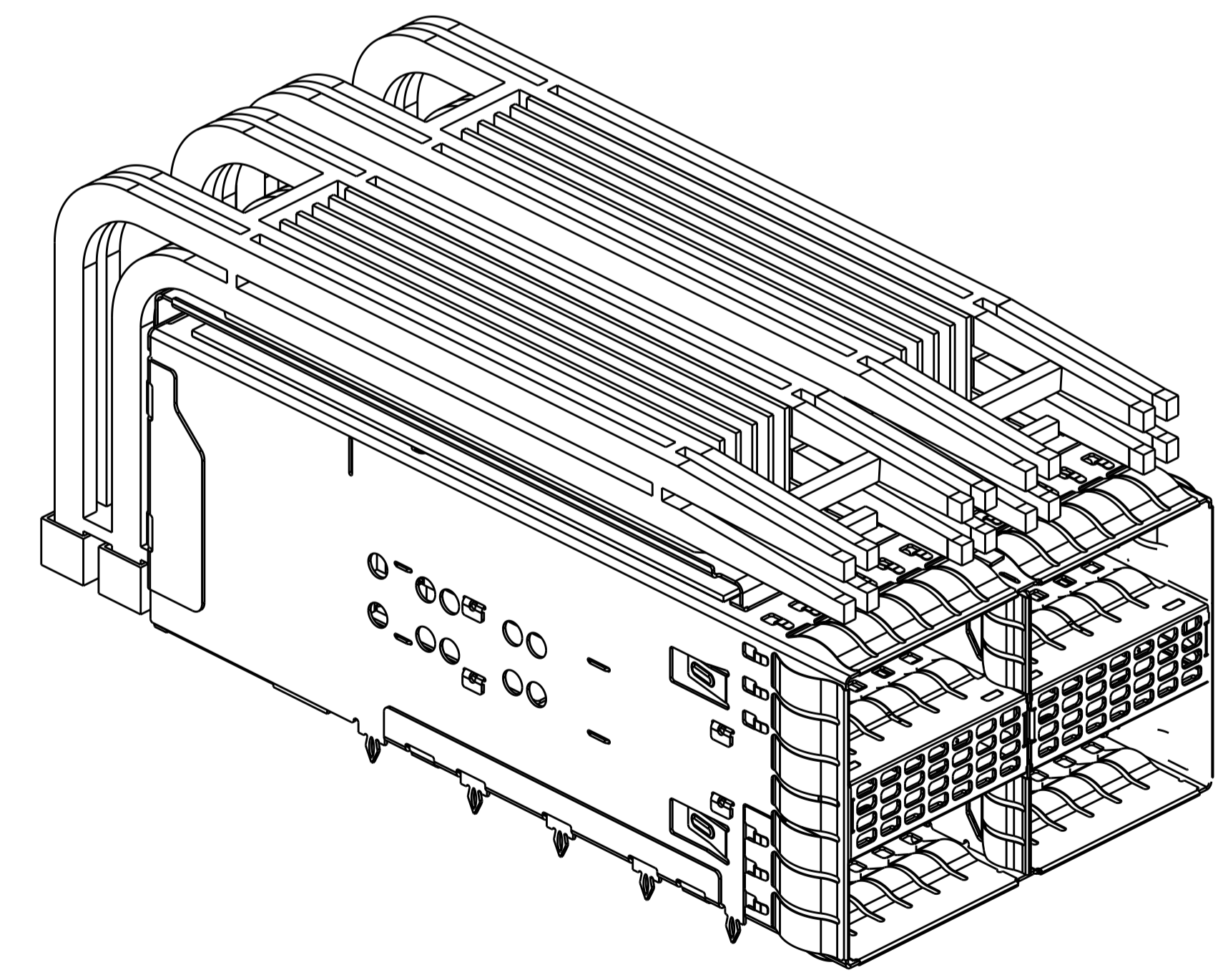
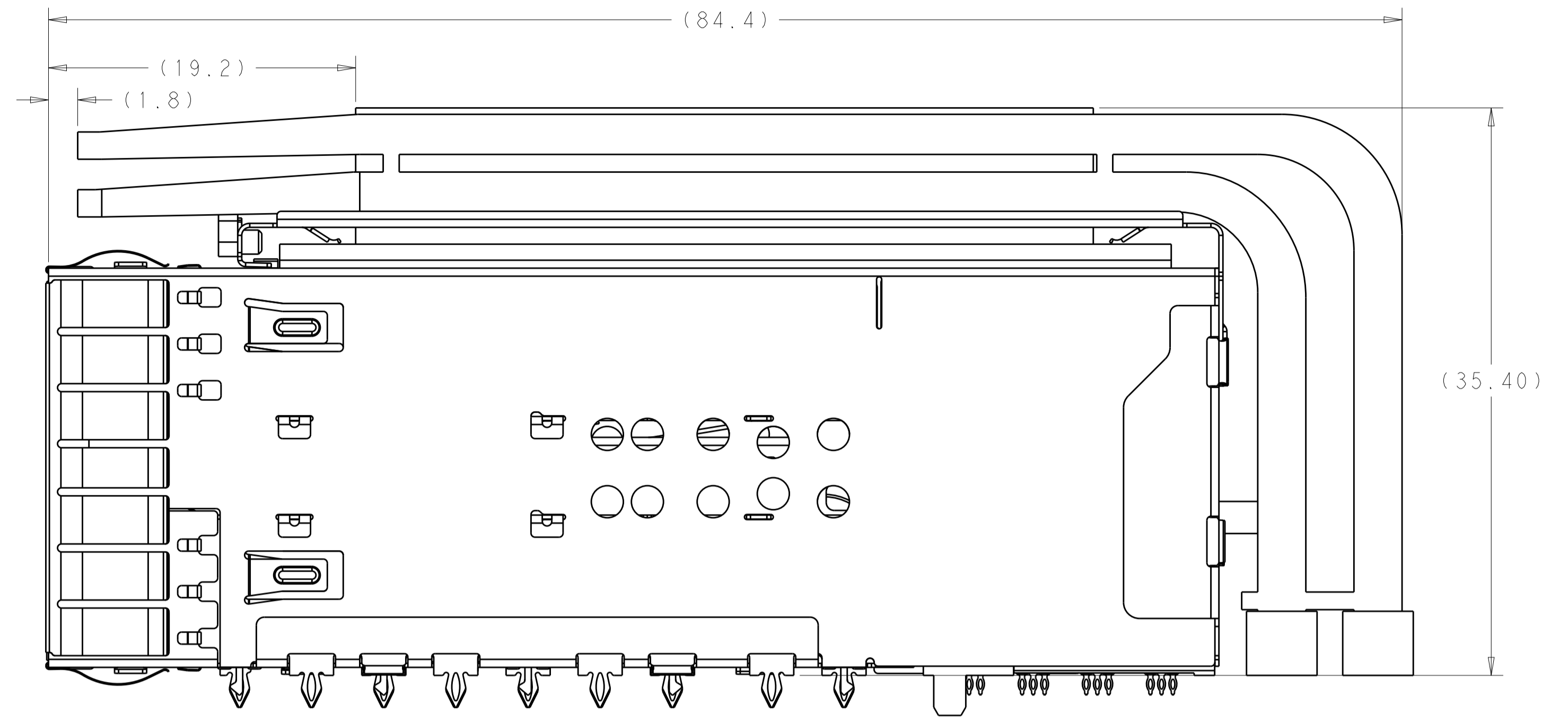
THIS DRAWING IS A CONTROLLED DOCUMENT.		DWN TIM XUE 17AUG2016	TE Connectivity
DIMENSIONS:		CHK SEAN HAN 17AUG2016	
mm	TOLERANCES UNLESS OTHERWISE SPECIFIED:	APVD SEAN HAN 17AUG2016	NAME zOSFP+ 2X2.4 INTERNAL LIGHT PIPES WITH EMI SPRING FINGERS, BELLY TO BELLY APPLICATION
0 PLC ± 1 PLC ±0.25 2 PLC ±0.20 3 PLC ± 4 PLC ± ANGLES ± FINISH ±	MATERIAL 114-60015 WEIGHT SEE NOTE 1	PRODUCT SPEC 108-60102 APPLICATION SPEC 114-60015 CUSTOMER DRAWING	SIZE A100779C=2308171 RESTRICTED TO SCALE 4:1 SHEET 4 OF 10 REV D1

LOC	DIST	REVISIONS			
P	LTN	DESCRIPTION	DATE	DMN	APVD
-	-	SEE SHEET 1	-	-	-

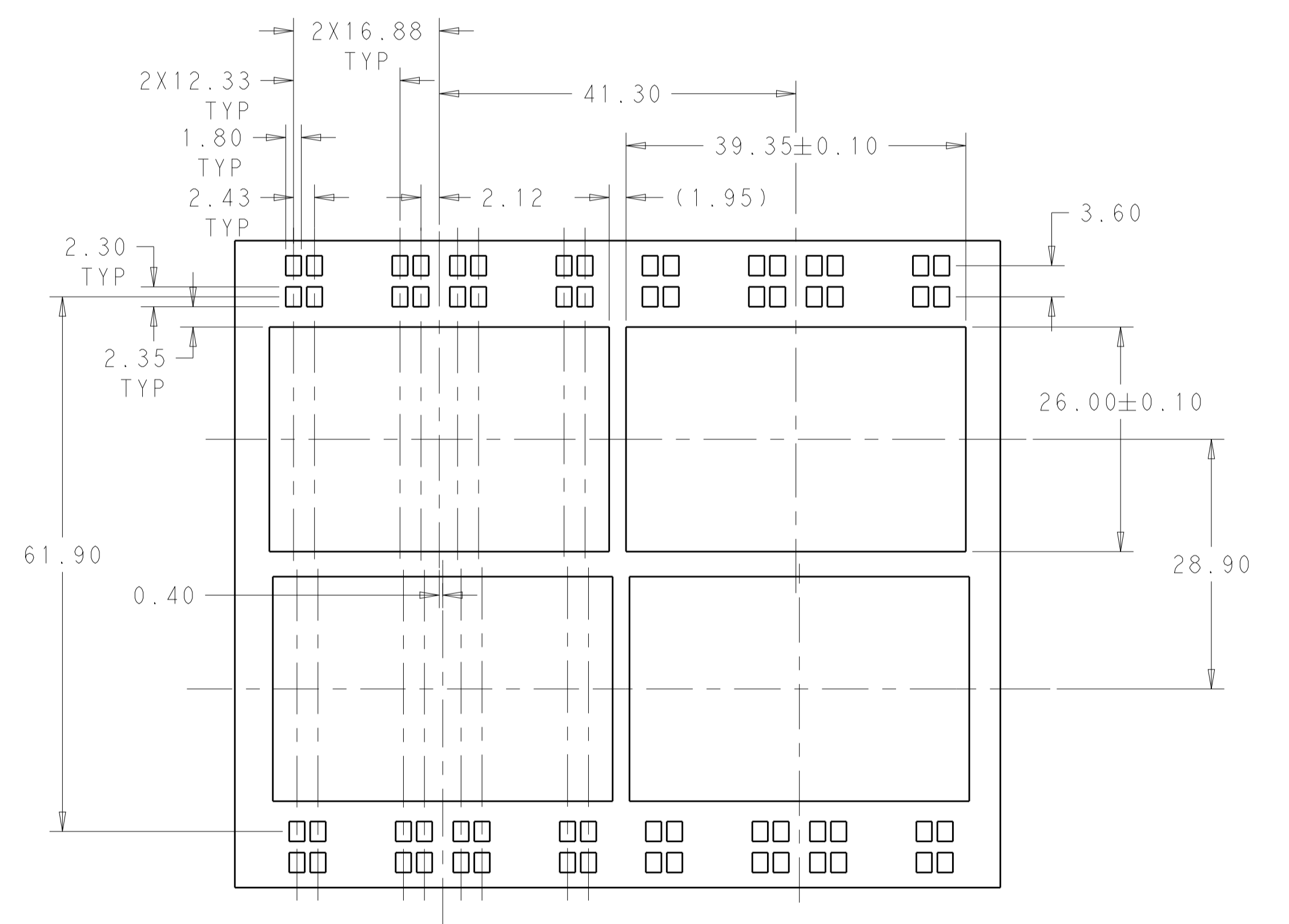
2-2308171-1 AS SHOWN



2-2308171-1  
SCALE 4:1



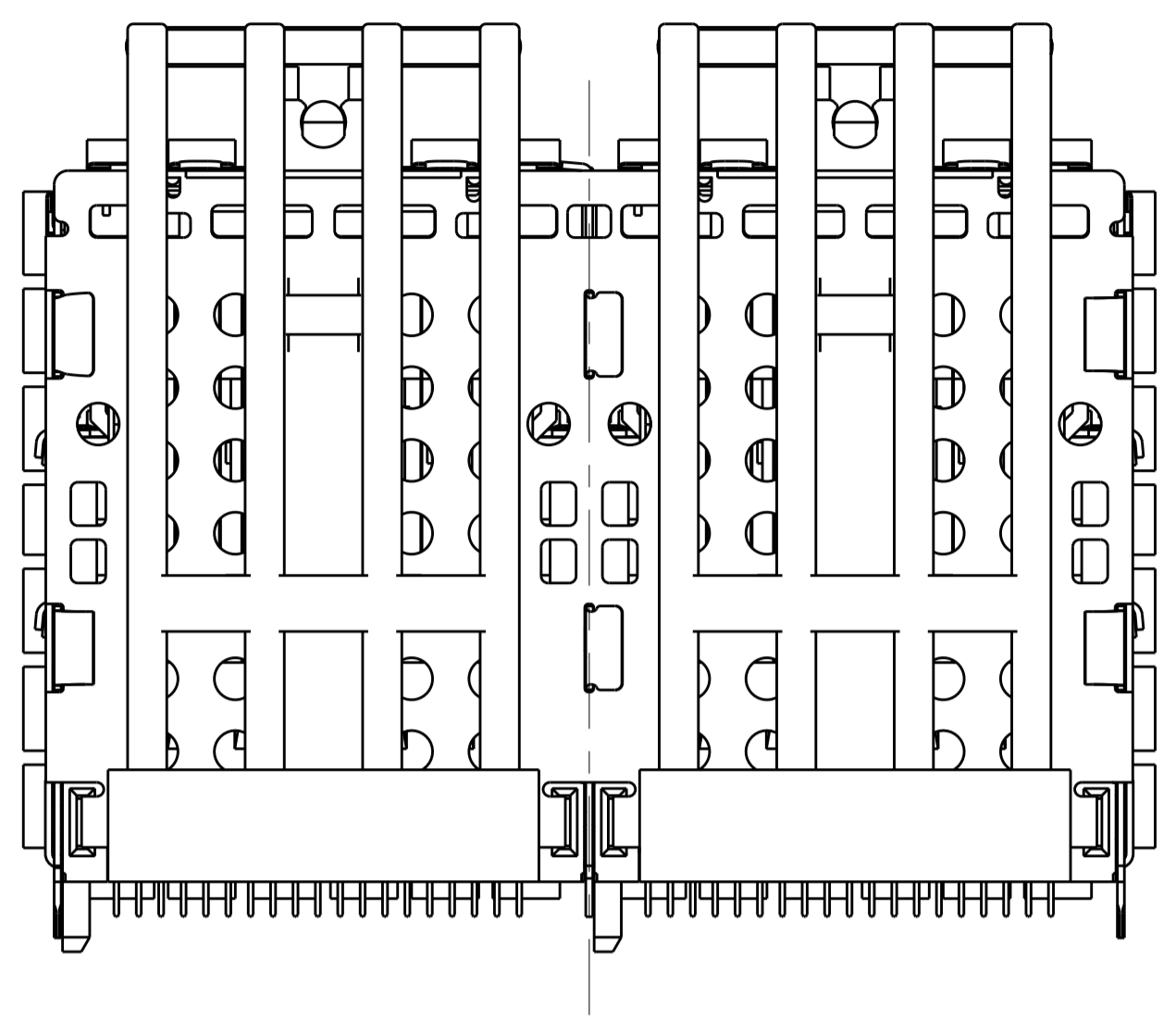
SCALE 5:2



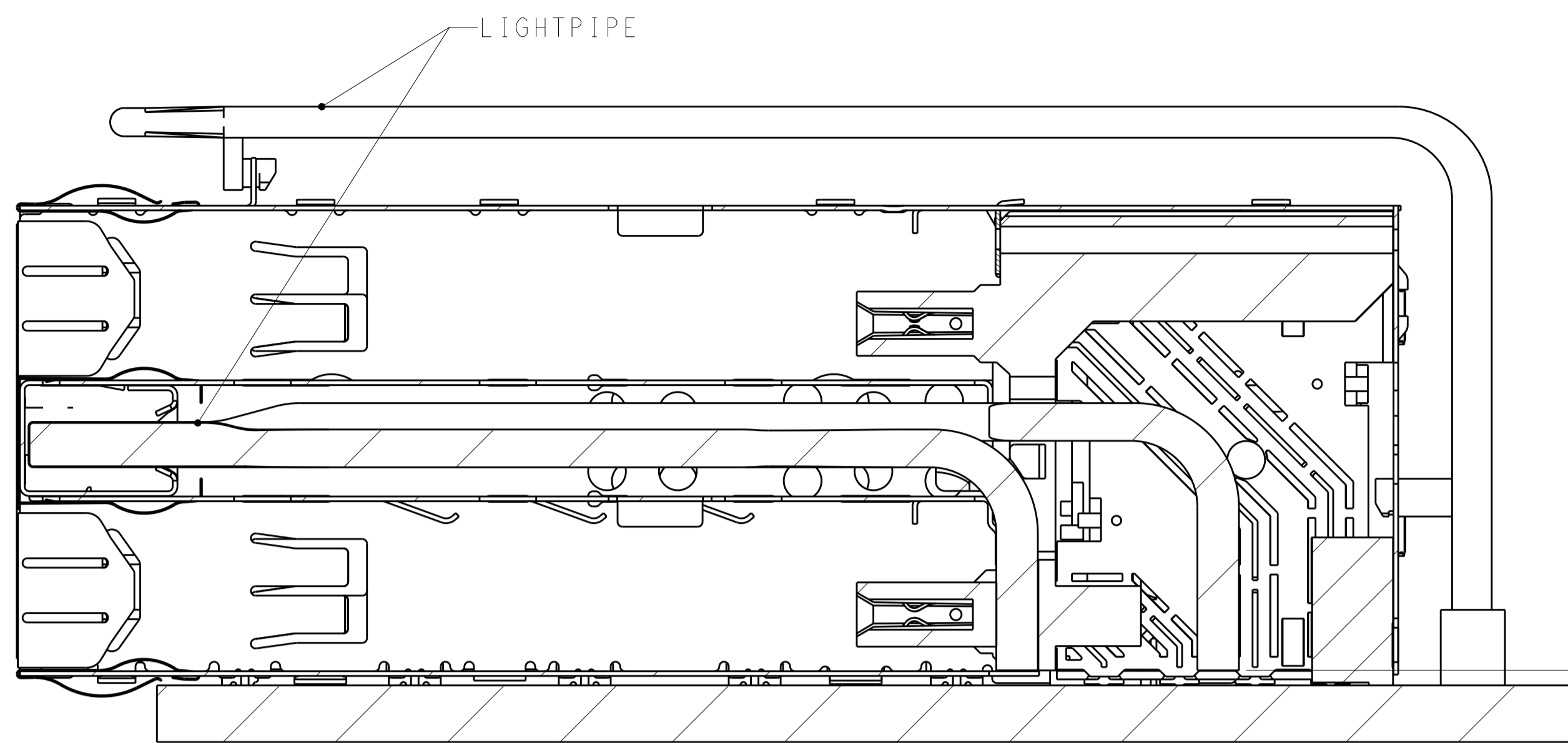
2-2308171-1 PANEL  
SCALE 2:1

THIS DRAWING IS A CONTROLLED DOCUMENT.		DMN TIM XUE 17AUG2016	TE Connectivity
DIMENSIONS:		CHK SEAN HAN 17AUG2016	
mm	TOLERANCES UNLESS OTHERWISE SPECIFIED:	APVD SEAN HAN 17AUG2016	NAME zOSFP+ 2X2.4 INTERNAL LIGHT PIPES WITH EMI SPRING FINGERS, BELLY TO BELLY APPLICATION
	0 PLC ± 1 PLC ±0.25 2 PLC ±0.20 3 PLC ± 4 PLC ± ANGLES ± FINISH ±	PRODUCT SPEC 108-60102 APPLICATION SPEC	SIZE A100779C=2308171
MATERIAL SEE NOTE 1	FINISH SEE NOTE 2	WEIGHT CUSTOMER DRAWING	RESTRICTED TO SCALE 4:1 SHEET 5 OF 10 REV D1

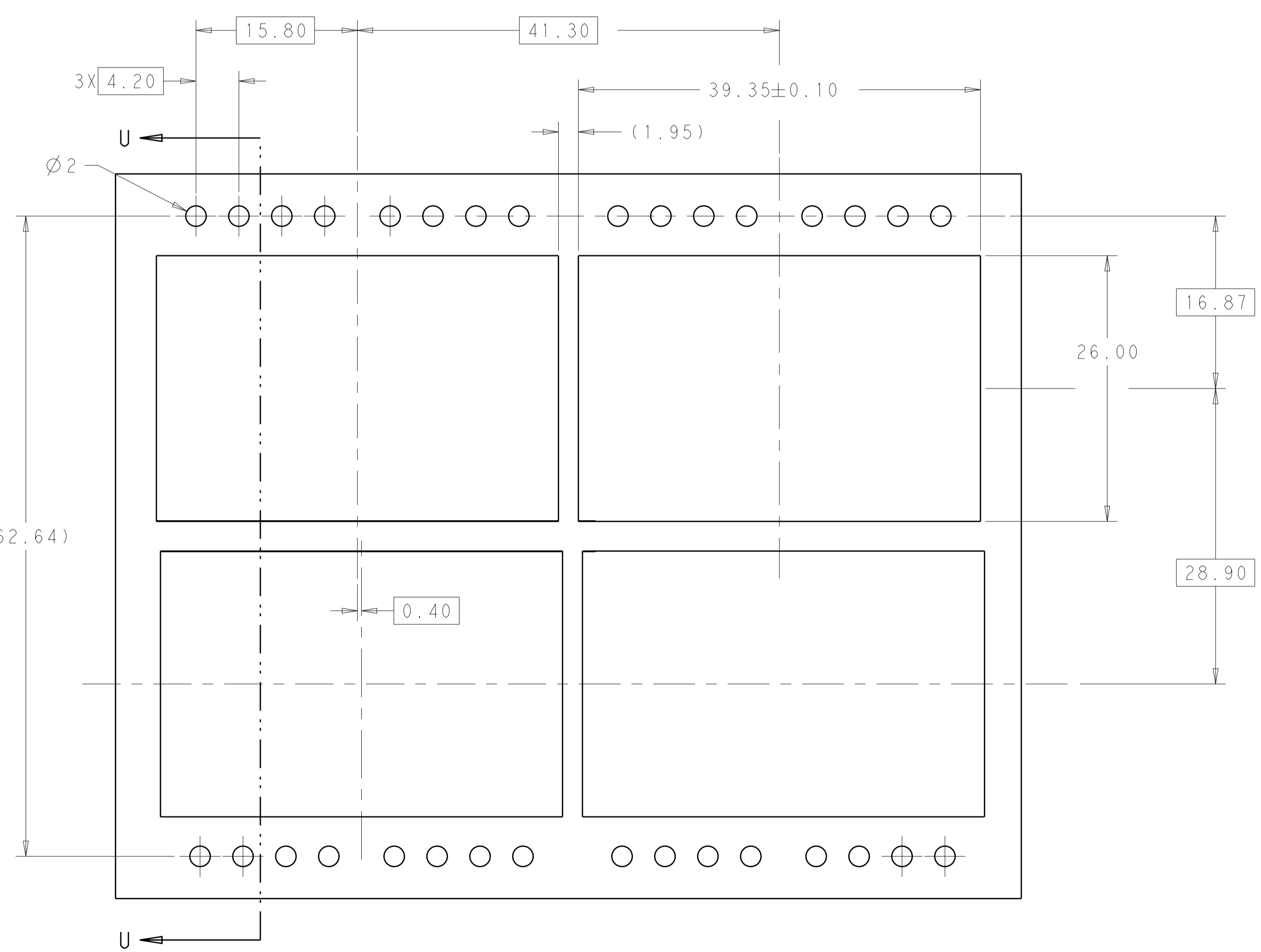
LOC	DIST	REVISIONS					
GP	00	P	LTN	DESCRIPTION	DATE	DWN	APVD
		-		SEE SHEET 1	-	-	-



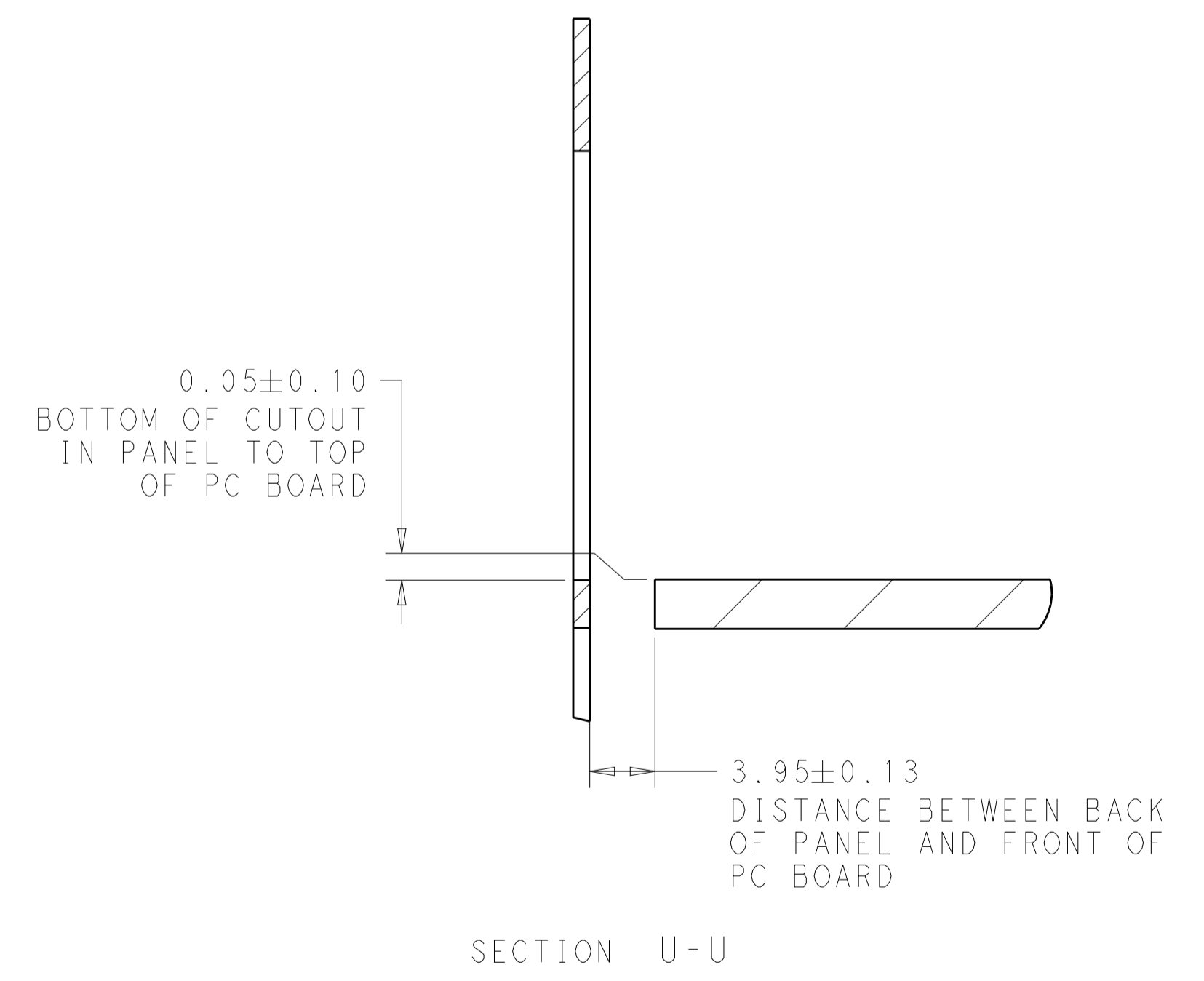
VIEW Y-Y



SECTION V-V  
SCALE 4:1



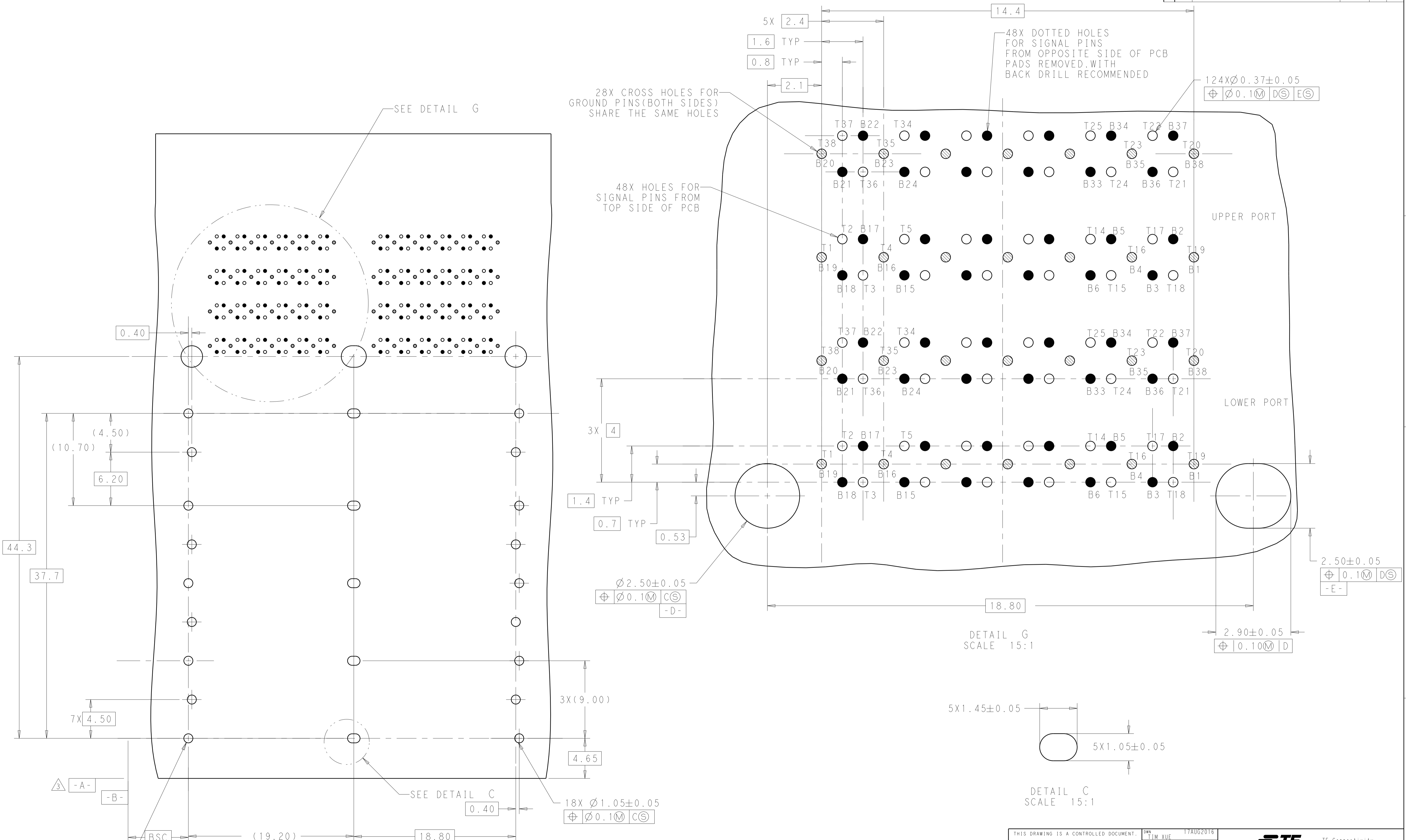
RECOMMENDED PANEL CUTOUT  
AND PC BOARD, PANEL POSITION  
SCALE 3:1



SECTION U-U

THIS DRAWING IS A CONTROLLED DOCUMENT.		DWN	TIM XUE	17AUG2016	TE Connectivity NAME: zOSFP+ 2X2.4 INTERNAL LIGHT PIPES WITH EMI SPRING FINGERS, BELLY TO BELLY APPLICATION PRODUCT SPEC: 108-60102 APPLICATION SPEC: 114-60015 SIZE: A1 CAGE CODE: 2308171 RESTRICTED TO:
DIMENSIONS:		CHK	SEAN HAN	17AUG2016	
mm		APVD	SEAN HAN	17AUG2016	
0 PLC ± 1 PLC ±0.25 2 PLC ±0.20 3 PLC ± 4 PLC ± ANGLES ± FINISH ±		MATERIAL		WEIGHT	
SEE NOTE 1		SEE NOTE 2		CUSTOMER DRAWING	SCALE 4:1 SHEET 6 OF 10 REV D1

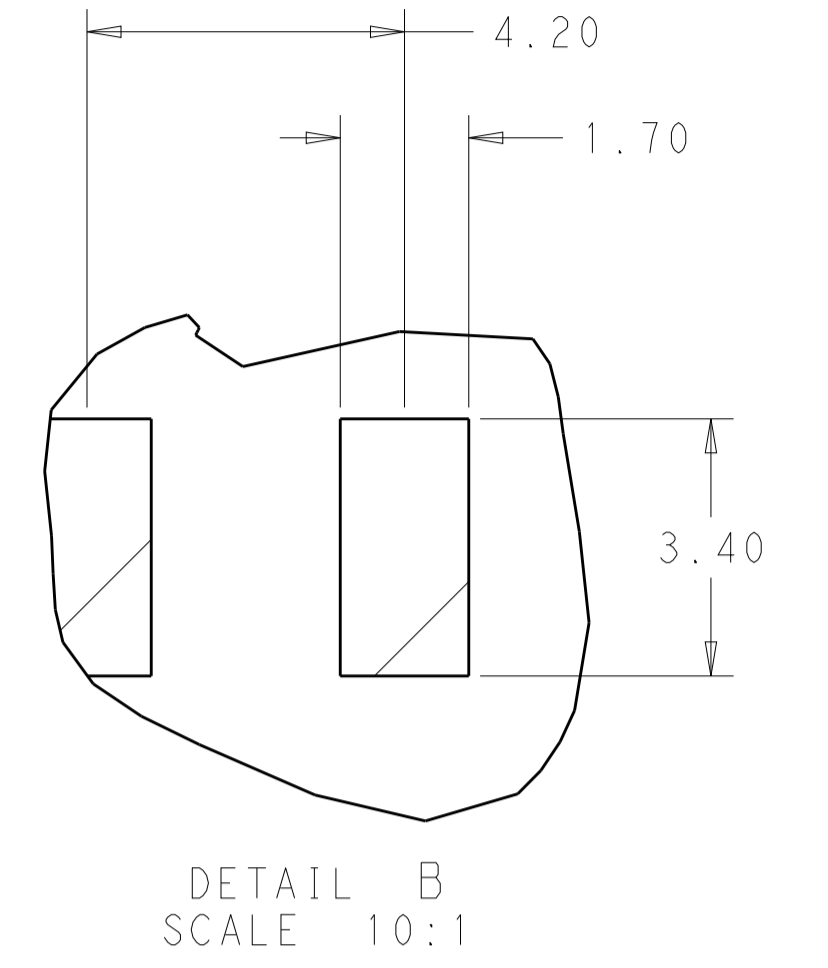
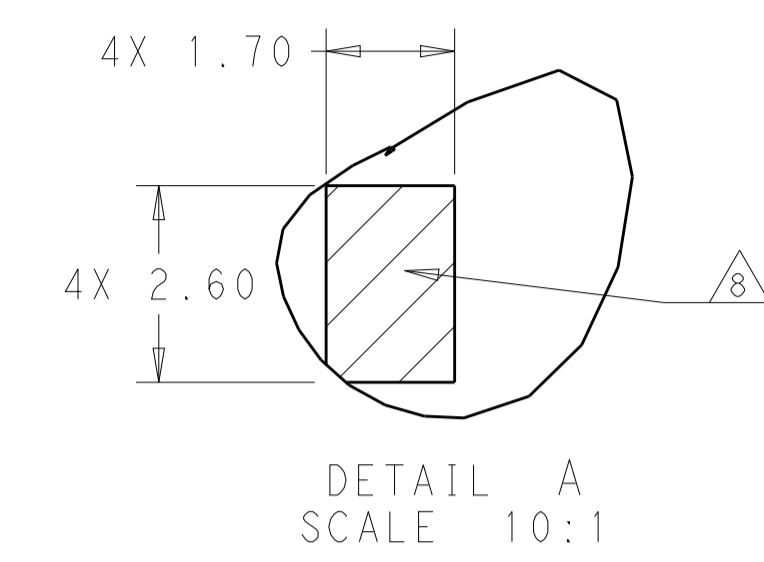
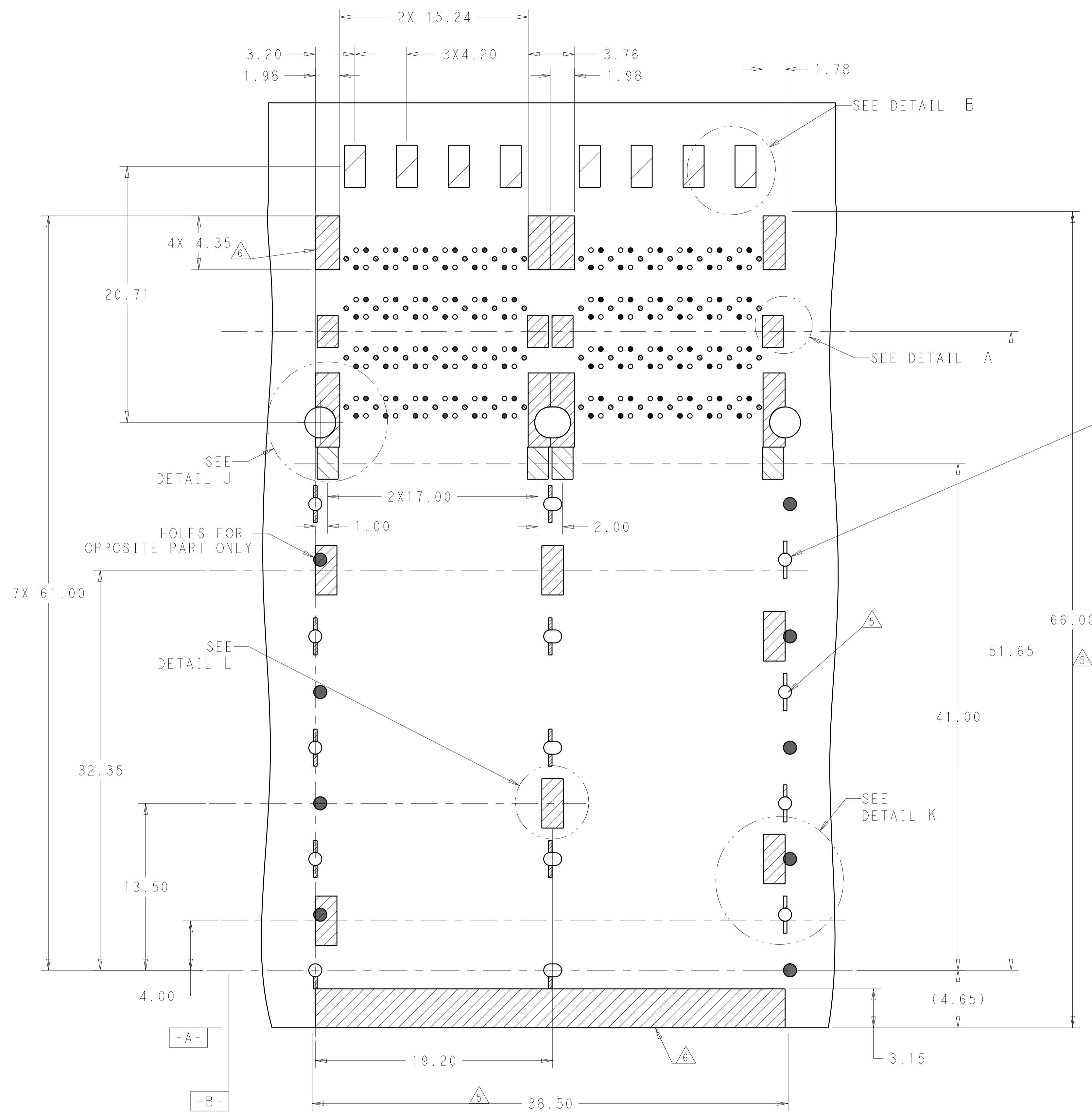
REVOLUTIONS			DATE	DWN	APVD
GP	00	SEE SHEET 1	-	-	-



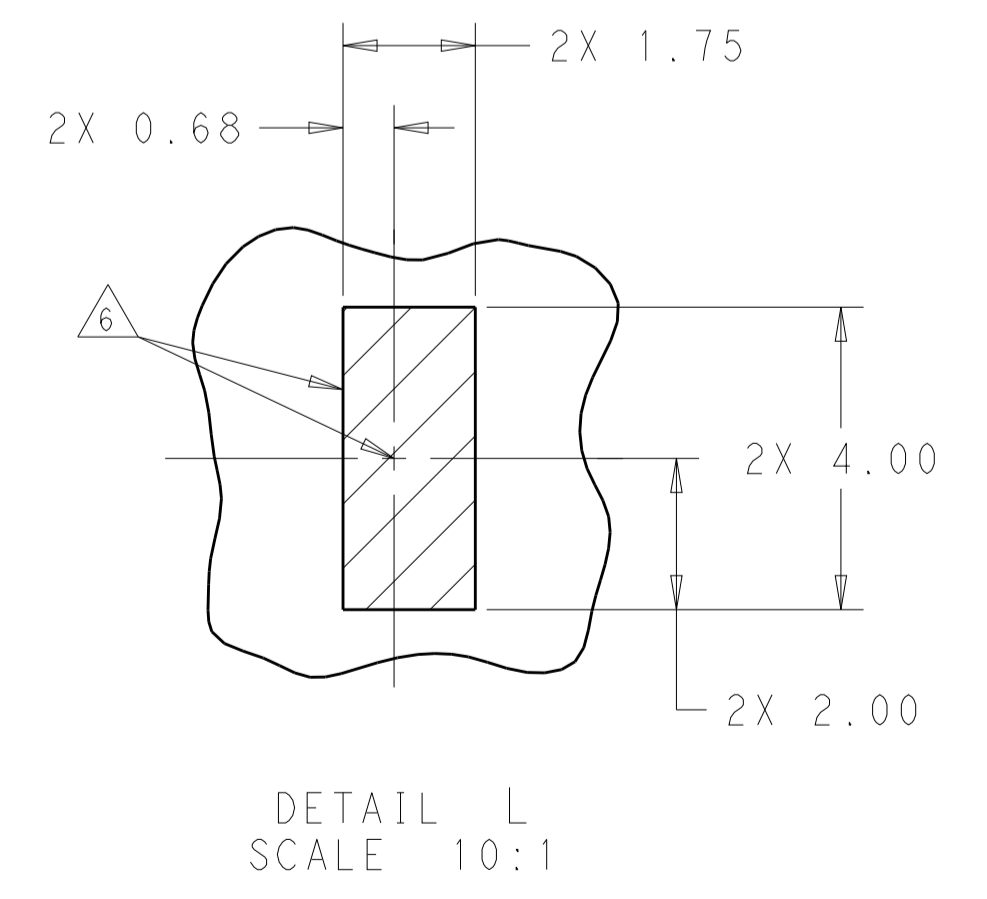
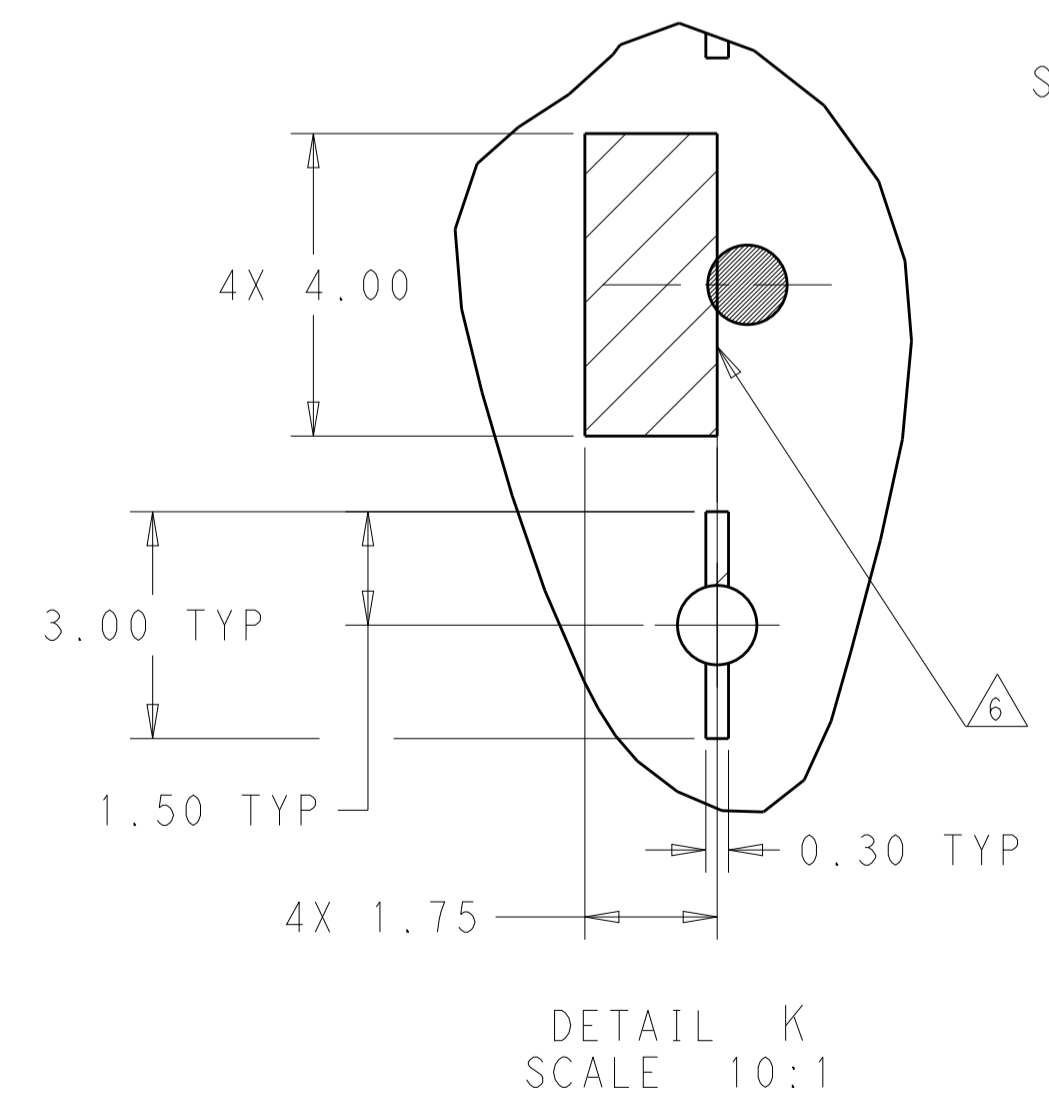
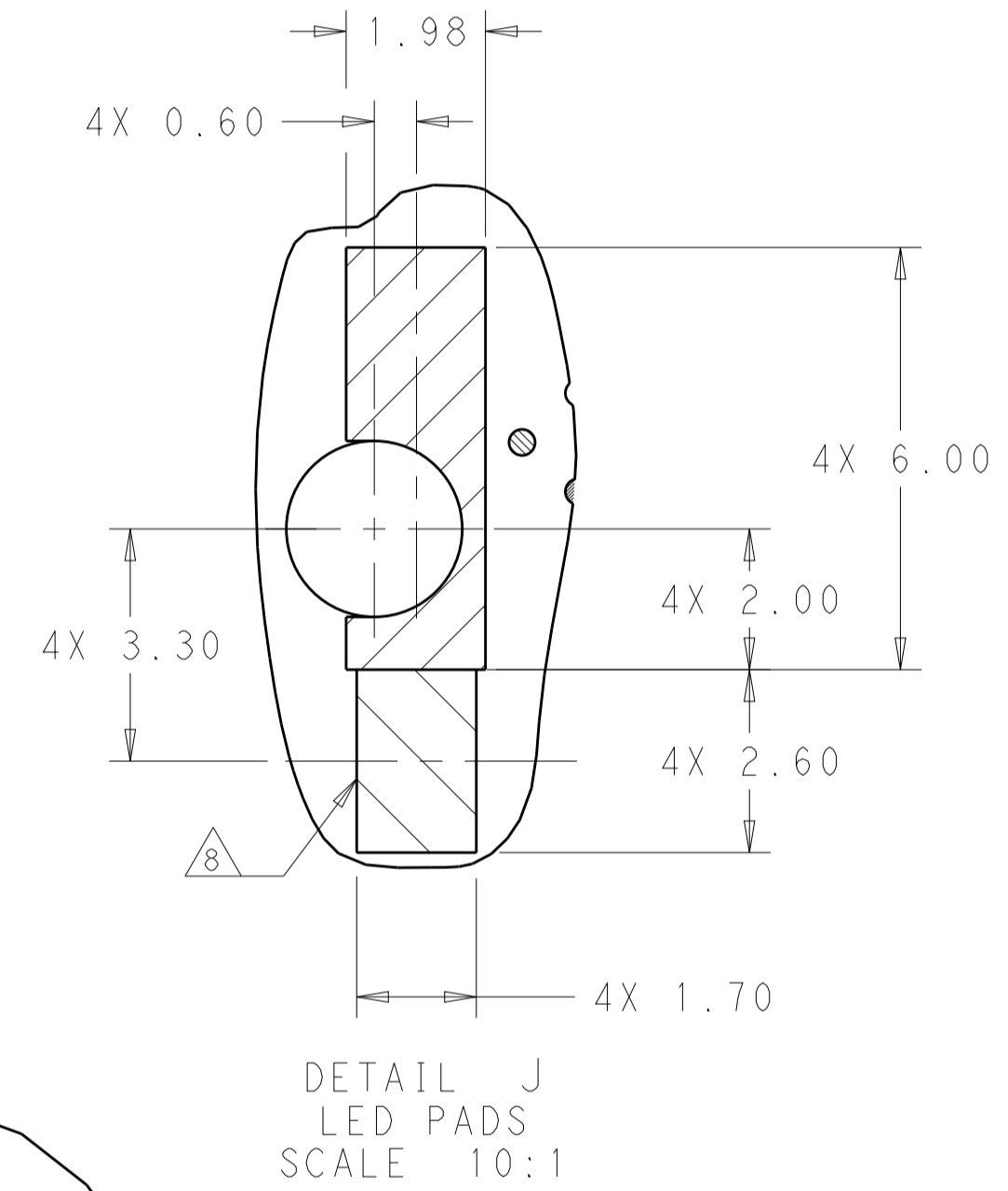
THIS DRAWING IS A CONTROLLED DOCUMENT.

DIMENSIONS:		TOLERANCES UNLESS OTHERWISE SPECIFIED:		DWN: TIM XUE 17AUG2016	
mm	0 PLC	±		CHK: SEAN HAN 17AUG2016	NAME: zOSFP+ 2X2.4 INTERNAL LIGHT PIPES WITH EMI SPRING FINGERS, BELLY TO BELLY APPLICATION
	1 PLC	±0.25		APVD: SEAN HAN 17AUG2016	PRODUCT SPEC: 108-60102
	2 PLC	±0.20			APPLICATION SPEC: 114-60015
	3 PLC	±			SIZE: CAGE CODE DRAWING NO: A100779 C=2308171
	4 PLC	±			RESTRICTED TO: -
	ANGLES			WEIGHT:	SCALE: 1:1 SHEET 7 OF 10 REV: D1
MATERIAL:	FINISH:	WEIGHT:		CUSTOMER DRAWING	
SEE NOTE 1	SEE NOTE 2	WEIGHT:		CUSTOMER DRAWING	

LOC	DIST	REVISIONS					
GP	00	P	LTH	DESCRIPTION	DATE	DWN	APVD
		-	-	SEE SHEET 1	-	-	-



OPTIONAL TO REMOVE THIS HOLE FOR 1-2308171-0 AND 1-2308171-1

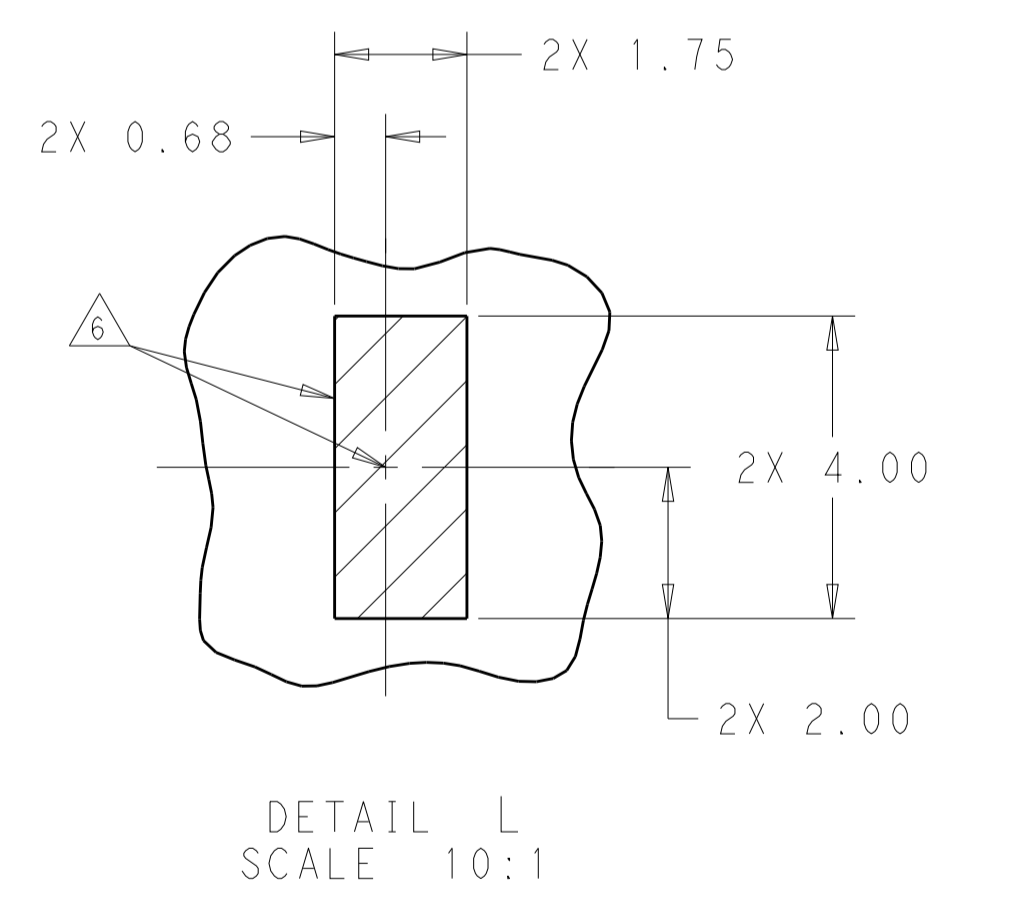
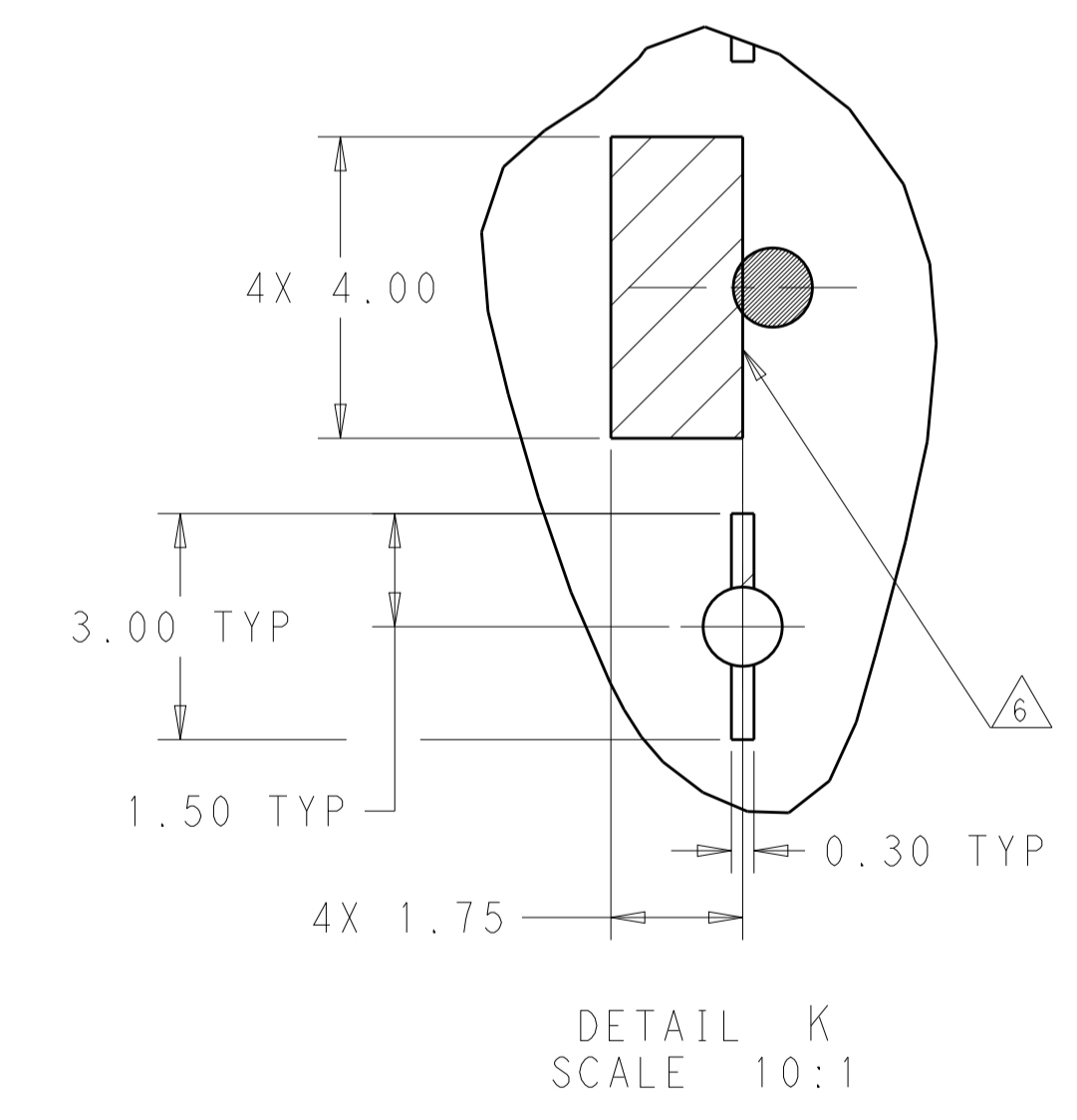
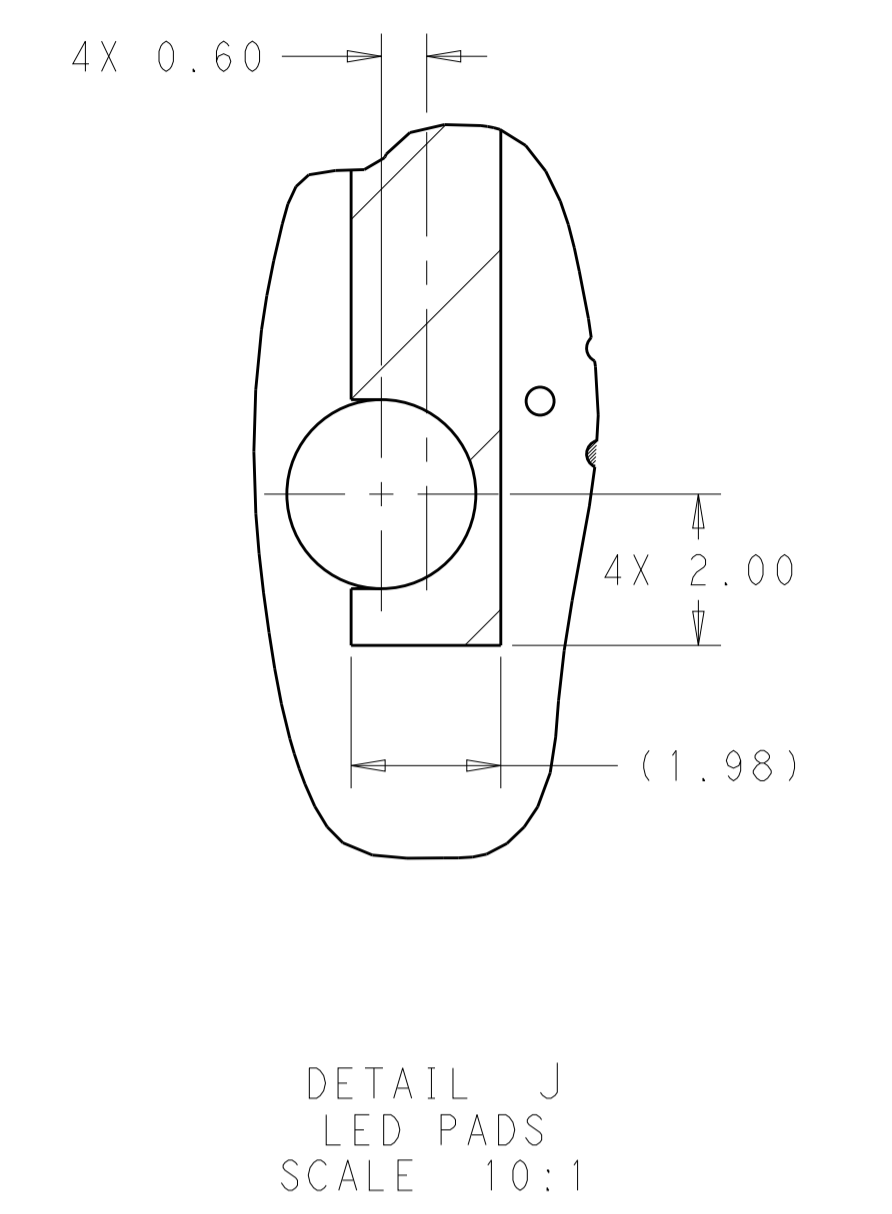
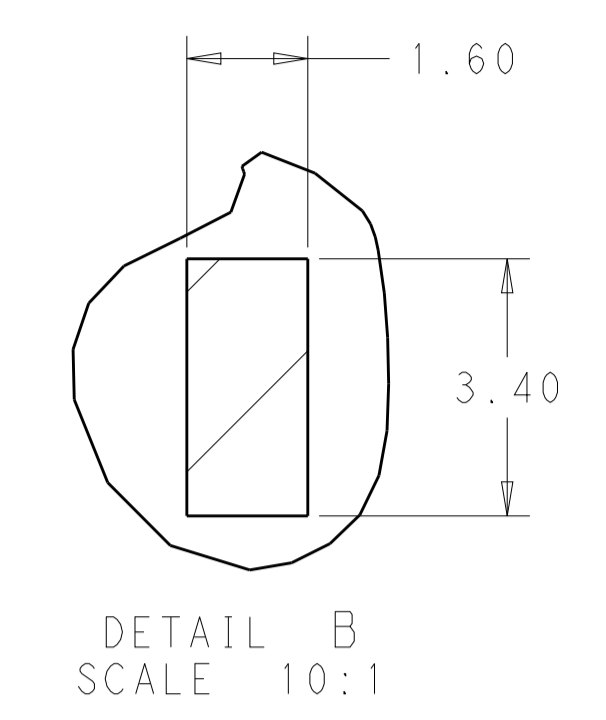
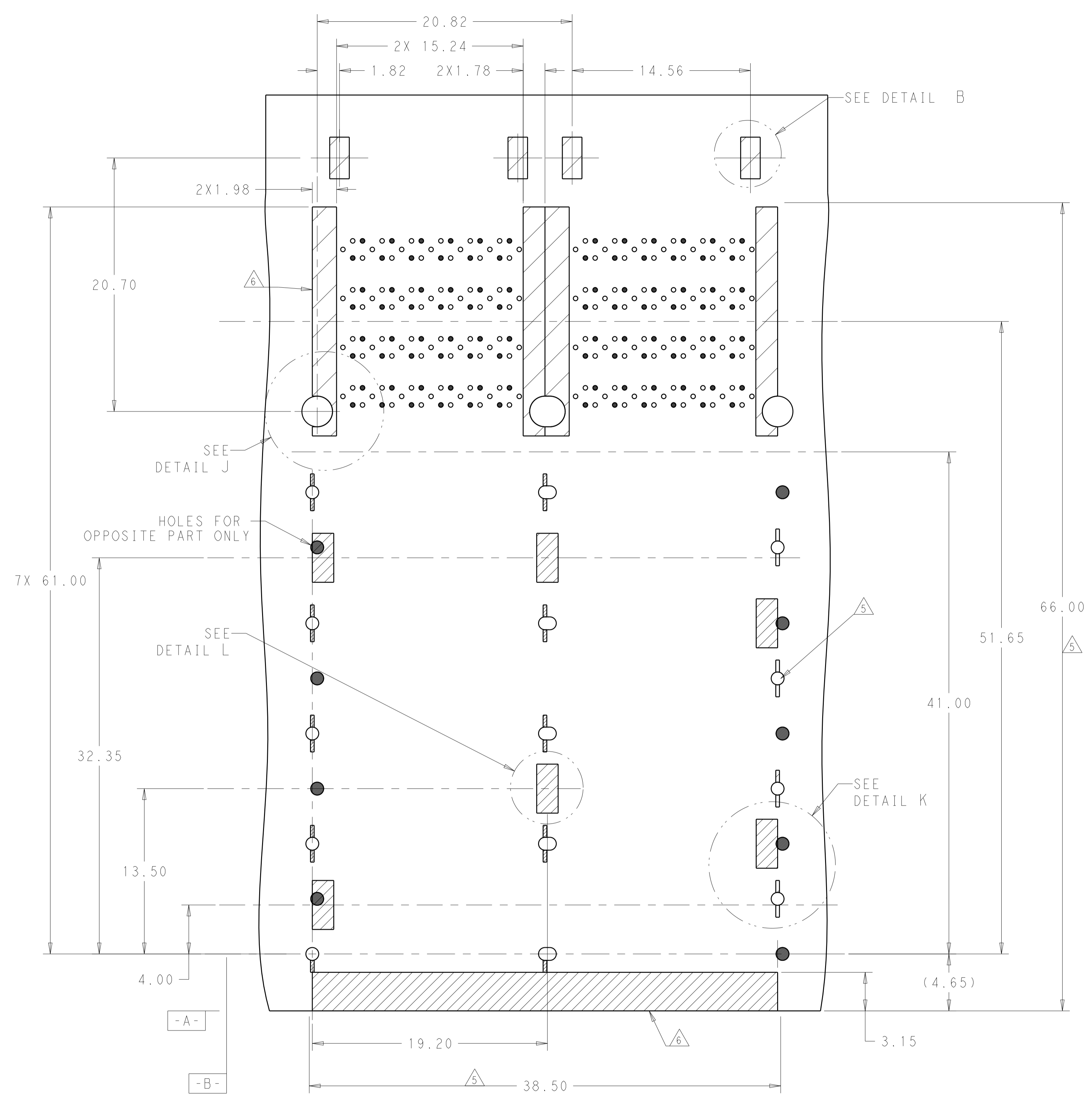


KEEPOUT AREAS  
 TOP COMPONENT SIDE OF BOARD  
 (PCB TOLERANCE ±0.05)  
 SCALE 5:1

THIS DRAWING IS A CONTROLLED DOCUMENT.		DWN: TIM XUE 17AUG2016	TE Connectivity
DIMENSIONS: mm		CHK: SEAN HAN 17AUG2016	
TOLERANCES UNLESS OTHERWISE SPECIFIED:		APVD: SEAN HAN 17AUG2016	NAME: zQSFP+ 2X2.4 INTERNAL LIGHT PIPES WITH EMI SPRING FINGERS, BELLY TO BELLY APPLICATION
0 PLC ±	1 PLC ±0.25	PRODUCT SPEC: 108-60102	SIZE: 114-60015
2 PLC ±0.20	3 PLC ±	APPLICATION SPEC: 114-60015	WEIGHT: -
4 PLC ±	ANGLES ±	FINISH: -	CAGE CODE: A100779
MATERIAL: SEE NOTE 1	FINISH: SEE NOTE 2	CUSTOMER DRAWING	SCALE: 1:1 SHEET 8 OF 10 REV D1



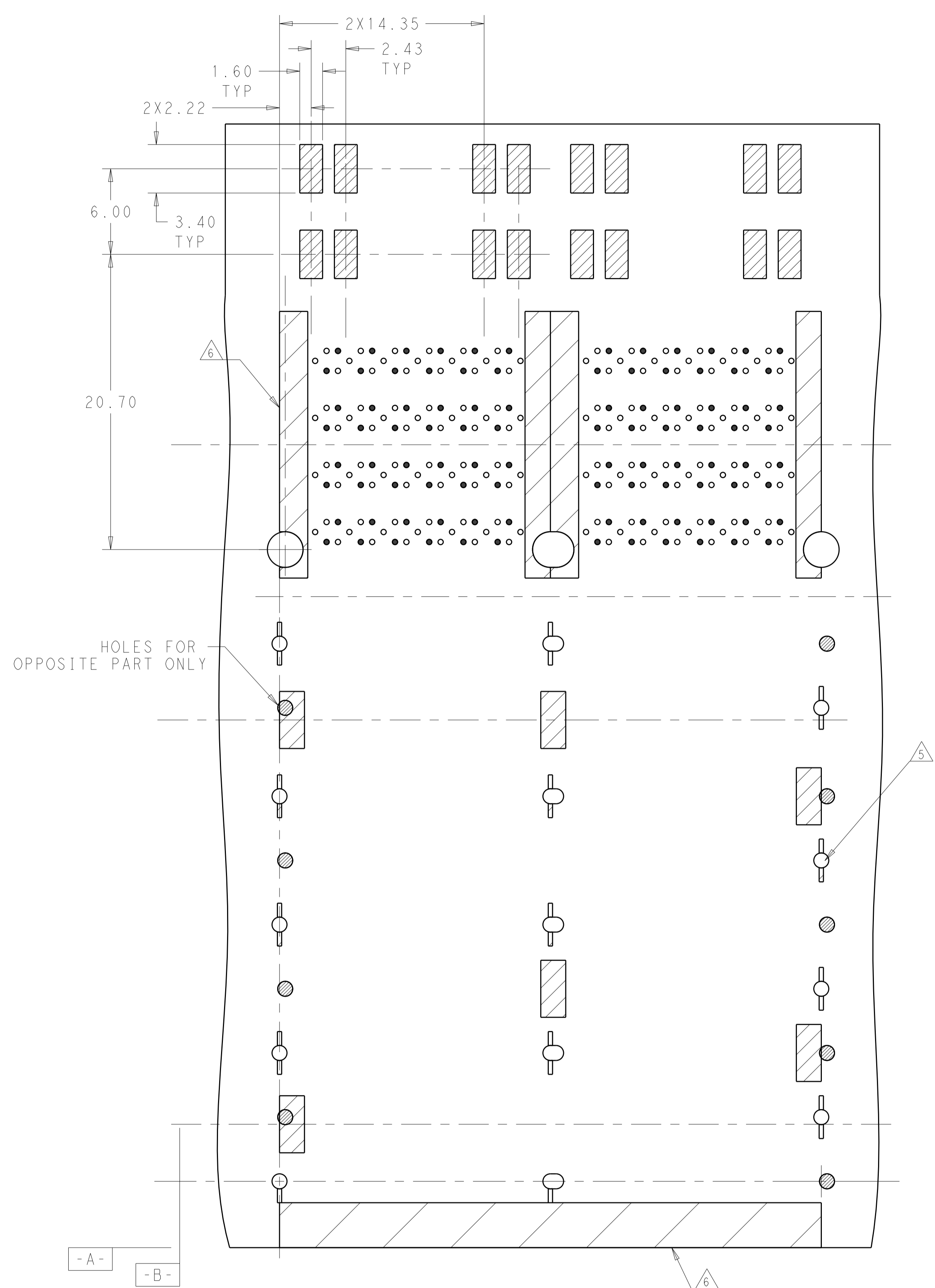
LOC	DIST	REVISIONS					
GP	00	P	LTN	DESCRIPTION	DATE	DMN	APVD
		-		SEE SHEET 1	-	-	-



KEEPOUT AREAS OF 2-2308171-0  
 TOP COMPONENT SIDE OF BOARD  
 (PCB TOLERANCE ±0.05)  
 SCALE 5:1

THIS DRAWING IS A CONTROLLED DOCUMENT.		DMN	TIM XUE	17AUG2016	TE Connectivity NAME zQSFP+ 2X2.4 INTERNAL LIGHT PIPES WITH EMI SPRING FINGERS, BELLY TO BELLY APPLICATION PRODUCT SPEC 108-60102 APPLICATION SPEC 114-60015 SIZE CAGE CODE DRAWING NO. A100779C=2308171 RESTRICTED TO
DIMENSIONS:		CHK	SEAN HAN	17AUG2016	
mm		APVD	SEAN HAN	17AUG2016	
0 PLC ± 1 PLC ±0.25 2 PLC ±0.20 3 PLC ± 4 PLC ± ANGLES ±		MATERIAL		FINISH	
SEE NOTE 1		SEE NOTE 2		CUSTOMER DRAWING	SCALE 1:1 SHEET 9 OF 10 REV D1

LOC	DIST	REVISIONS			
P	LTN	DESCRIPTION	DATE	DWN	APVD
-	-	SEE SHEET 1	-	-	-



HOLES FOR OPPOSITE PART ONLY

KEEPOUT AREAS OF 2-2308171-1  
 TOP COMPONENT SIDE OF BOARD  
 UNSPECIFIED SPEC, REFER TO  
 2-2308171-0 PCB LAYOUT

(PCB TOLERANCE  $\pm 0.05$ )  
 SCALE 5:1

THIS DRAWING IS A CONTROLLED DOCUMENT.		DWN	TIM XUE	17AUG2016	TE Connectivity			
DIMENSIONS:		CHK	SEAN HAN	17AUG2016				
mm		APVD	SEAN HAN	17AUG2016				
0 PLC $\pm$ 1 PLC $\pm 0.25$ 2 PLC $\pm 0.20$ 3 PLC $\pm$ 4 PLC $\pm$ ANGLES $\pm$		NAME	zOSFP+ 2X2.4 INTERNAL LIGHT PIPES WITH EMI SPRING FINGERS, BELLY TO BELLY APPLICATION					
MATERIAL		PRODUCT SPEC	108-60102		SIZE	CAGE CODE	DRAWING NO	RESTRICTED TO
SEE NOTE 1		APPLICATION SPEC	114-60015		A1	00779	C=2308171	-
SEE NOTE 2		FINISH	-		WEIGHT	-		SCALE
CUSTOMER DRAWING		SCALE		1:1	SHEET		10	OF
								REV
								D1