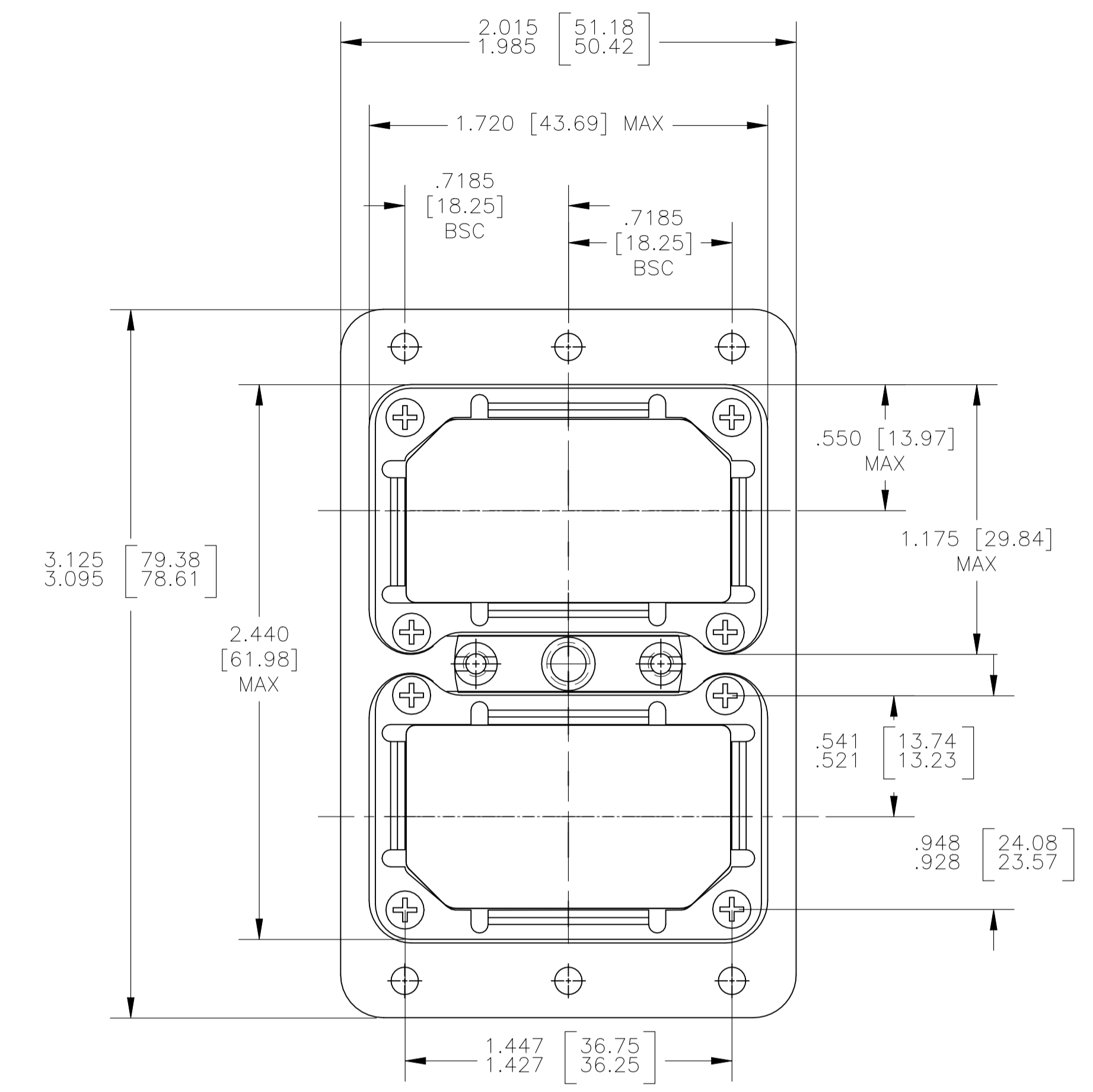
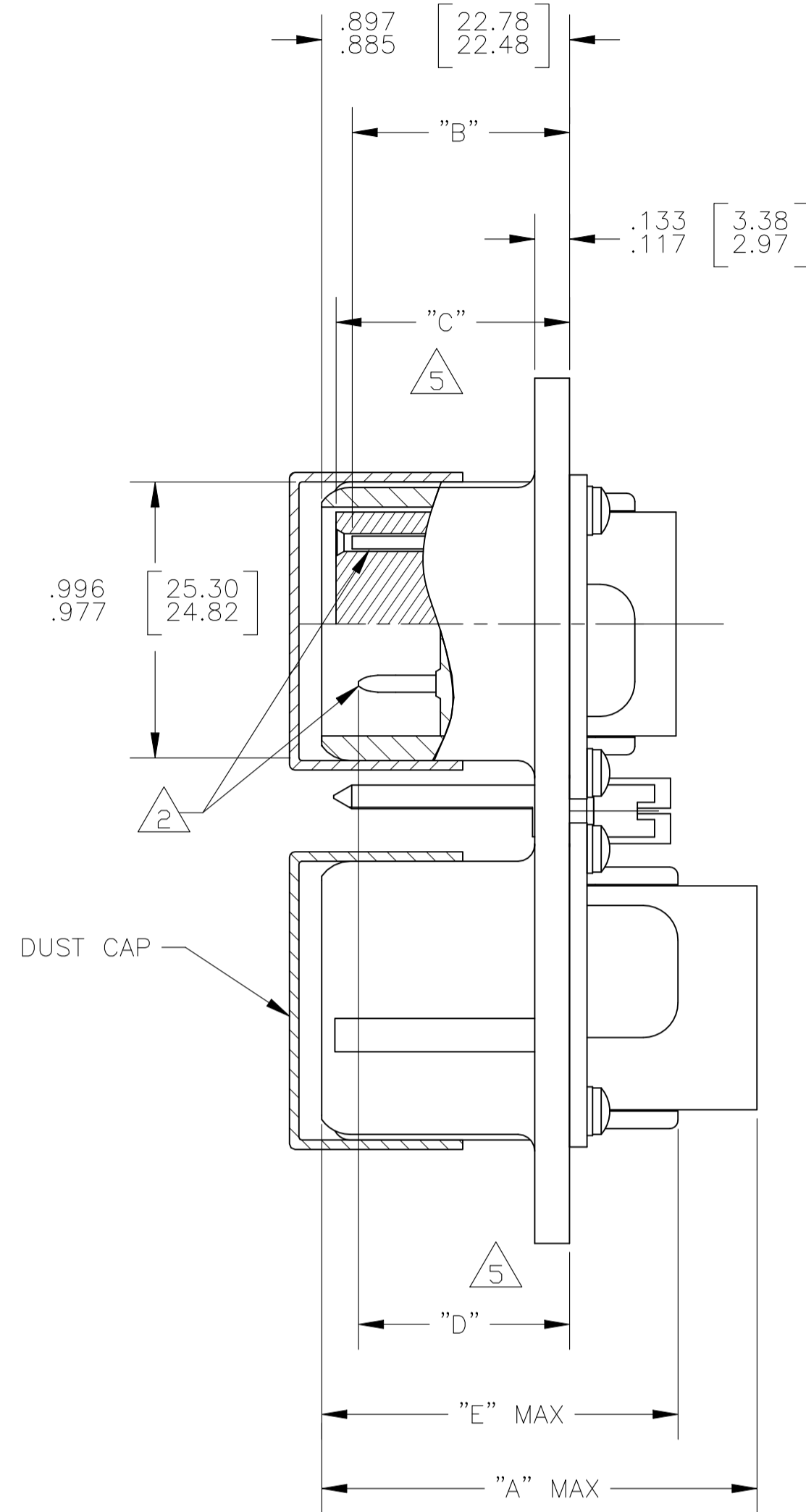
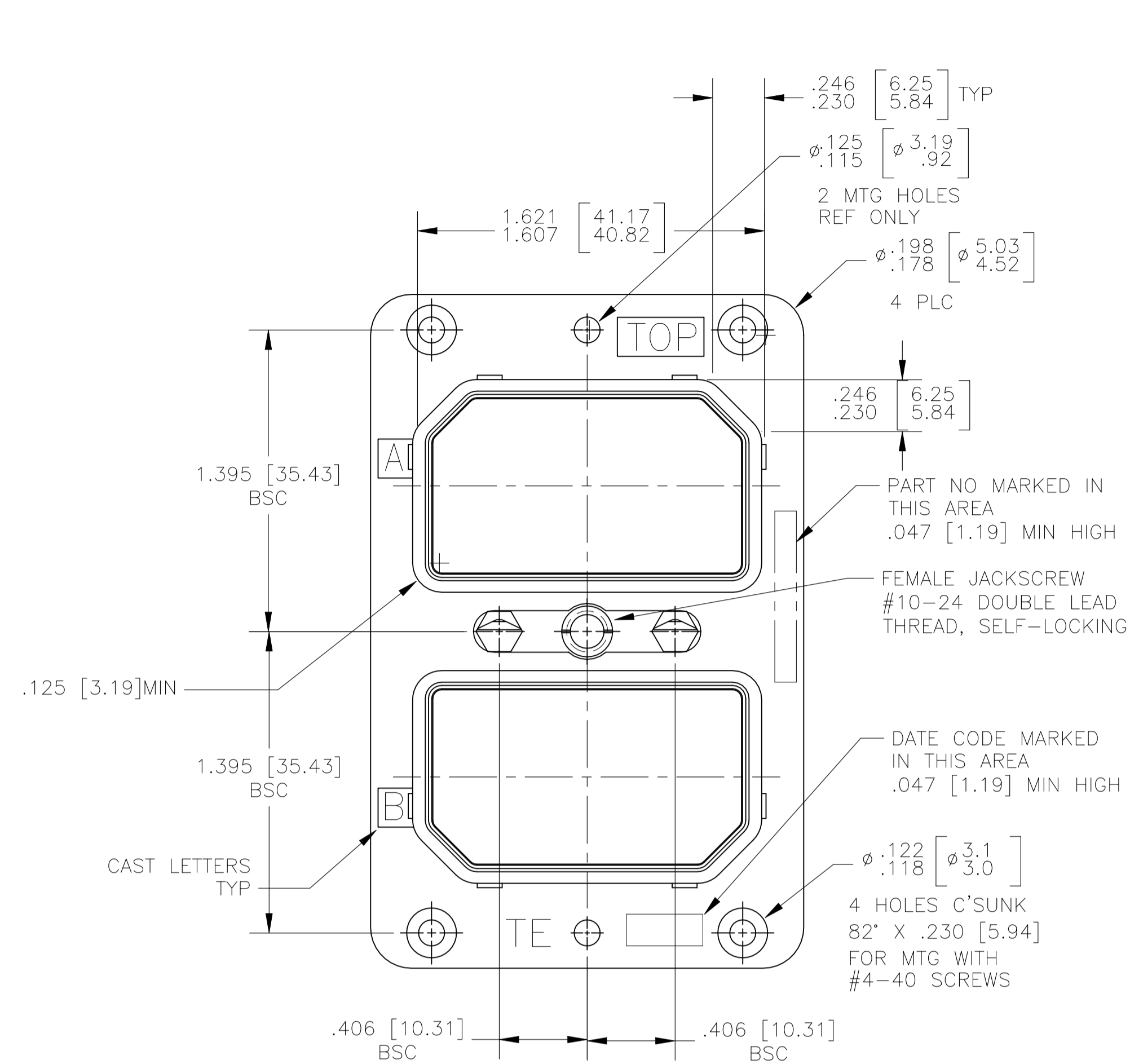


| REVISIONS |             |             |         |       |
|-----------|-------------|-------------|---------|-------|
| P         | LTR         | DESCRIPTION | DATE    | BY    |
| H         | REV PER ECO | 20-015430   | 5-25-21 | CT RL |



**1 MATERIAL & FINISH**  
 DIE CAST ALUMINUM PER QQ-A-591  
 OR ASTM B211, 6061-T6/6511 OR ASTM B209  
 2024-T4/T351  
 FINISH: CAD. PLATED PER QQ-P-416, TYPE I, CLASS 2  
 YELLOW CHROMATE CONVERSION.  
 INSERT RETENTION PLATE: ALUM. ALLOY, BLUE ANODIZE PER MIL-A-8625.  
 INSULATOR, HARD: EPOXY PER MIL-M-24325.  
 INSULATOR, SOFT: FLUOROSILICONE RUBBER, COLOR: BLUE.  
 GROMMET PROTECTOR: ALUM. ALLOY, FINISH: BLUE EPOXY.  
 POLARIZING POST & NUTS: STAINLESS STEEL.  
 FEMALE JACKSCREW: STAINLESS STEEL.  
 SCREWS & WASHERS: STEEL, CAD. PLATED PER QQ-P-416.  
 DUST CAP: CLEAR VINYL.

|         | INSERT ARRANGEMENT |               |               |               |               |               |               |               |               |               |               |               |               |               |
|---------|--------------------|---------------|---------------|---------------|---------------|---------------|---------------|---------------|---------------|---------------|---------------|---------------|---------------|---------------|
|         | C2                 | C3            | 8             | C8            | D8            | 26            | 32C2          | 33C4          | 40            | 40CI          | 45            | 57            | 67            | 106           |
| "A" MAX | 1.201 [30.51]      | 1.201 [30.51] | 1.425 [36.20] | 1.201 [30.51] | 1.541 [39.14] | 1.541 [39.14] | 1.595 [40.51] | 1.616 [41.05] | 1.425 [36.20] | 1.595 [40.51] | 1.541 [39.14] | 1.541 [39.14] | 1.425 [36.20] | 1.541 [39.14] |
| "E" MAX | .966 [24.54]       | .966 [24.54]  | 1.340 [34.04] | .966 [24.54]  | 1.340 [34.04] | 1.340 [34.04] | 1.340 [34.04] | 1.340 [34.04] | 1.340 [34.04] | 1.340 [34.04] | 1.340 [34.04] | 1.340 [34.04] | 1.340 [34.04] | 1.340 [34.04] |

- 2** CONTACTS SHOWN IN POSITION FOR ILLUSTRATION ONLY, ARE INCLUDED IN A CONTAINER WITHIN CONNECTOR PACKAGE FOR SHIPMENT.
- 3. CONNECTOR MEETS AMP PRODUCT SPEC 108-10,019.
- 4. COAX CONTACTS & SEALING BOOTS MUST BE ORDERED SEPARATELY.
- 5** FOR CONTACT SIZE 22 DIMENSION "B" REPRESENTS PIN CONTACTS & DIMENSION "D" REPRESENTS SOCKET CONTACTS.
- 6 ALL METRIC DIMENSIONS ARE SHOWN IN PARENTHESIS.
- 7. FOR MATING CONNECTOR SEE 208669.
- 8** CONNECTORS ORDERED LESS CONTACTS WILL BE MARKED WITH SAME P/N AS CONNECTORS ORDERED WITH CONTACTS.

| "B" $\Delta$ |              |              |              | "C"          |              |              |              | "D" $\Delta$ |              |              |              |
|--------------|--------------|--------------|--------------|--------------|--------------|--------------|--------------|--------------|--------------|--------------|--------------|
| 22           | 20           | 16           | 12           | 22           | 20           | 16           | 12           | 22           | 20           | 16           | 12           |
| .736 [18.69] | .827 [21.00] | .782 [19.86] | .793 [20.14] | .797 [20.24] | .893 [22.68] | .893 [22.68] | .893 [22.68] | .737 [18.72] | .700 [17.78] | .824 [20.93] | .824 [20.93] |
| .688 [17.48] | .769 [19.53] | .735 [18.67] | .746 [18.95] | .769 [19.53] | .865 [21.97] | .865 [21.97] | .865 [21.97] | .688 [17.48] | .585 [14.86] | .746 [18.95] | .746 [18.95] |

|          | PART NO.          | ARRANGEMENT |          | CONTACTS TOOLS & SEALING PLUGS |
|----------|-------------------|-------------|----------|--------------------------------|
|          |                   | MODULE A    | MODULE B |                                |
| OBsolete | 208668-1          | 106P        | 33C4S    | YES                            |
| OBsolete | 208668-2          | 106P        | 33C4S    | YES                            |
|          | 208668-3 $\Delta$ | 106P        | 33C4S    | NO                             |
| OBsolete | 208668-4 $\Delta$ | 106P        | 33C4S    | NO                             |

|                                        |  |                         |                                                                |  |
|----------------------------------------|--|-------------------------|----------------------------------------------------------------|--|
| THIS DRAWING IS A CONTROLLED DOCUMENT. |  | DIN T. THOMPSON 01OCT98 | <b>STE</b> TE Connectivity                                     |  |
| DIMENSIONS: INCHES                     |  | CHK R. BELL 01OCT98     |                                                                |  |
| TOLERANCES UNLESS OTHERWISE SPECIFIED: |  | APVD R. BELL 01OCT98    | NAME: PLUG CONNECTOR INSTALLATION WITH CENTER FEMALE JACKSCREW |  |
| 0 PLC ± -                              |  | PRODUCT SPEC            | APPLICATION SPEC                                               |  |
| 1 PLC ± -                              |  | SIZE                    | CAGE CODE DRAWING NO                                           |  |
| 2 PLC ± -                              |  | WEIGHT                  | RESTRICTED TO                                                  |  |
| 3 PLC ± -                              |  | 0.000000                | A1 00779 C=208668                                              |  |
| 4 PLC ± -                              |  | CUSTOMER DRAWING        | SCALE 2:1 SHEET 1 of 1 REV H                                   |  |
| ANGLES ± -                             |  |                         |                                                                |  |