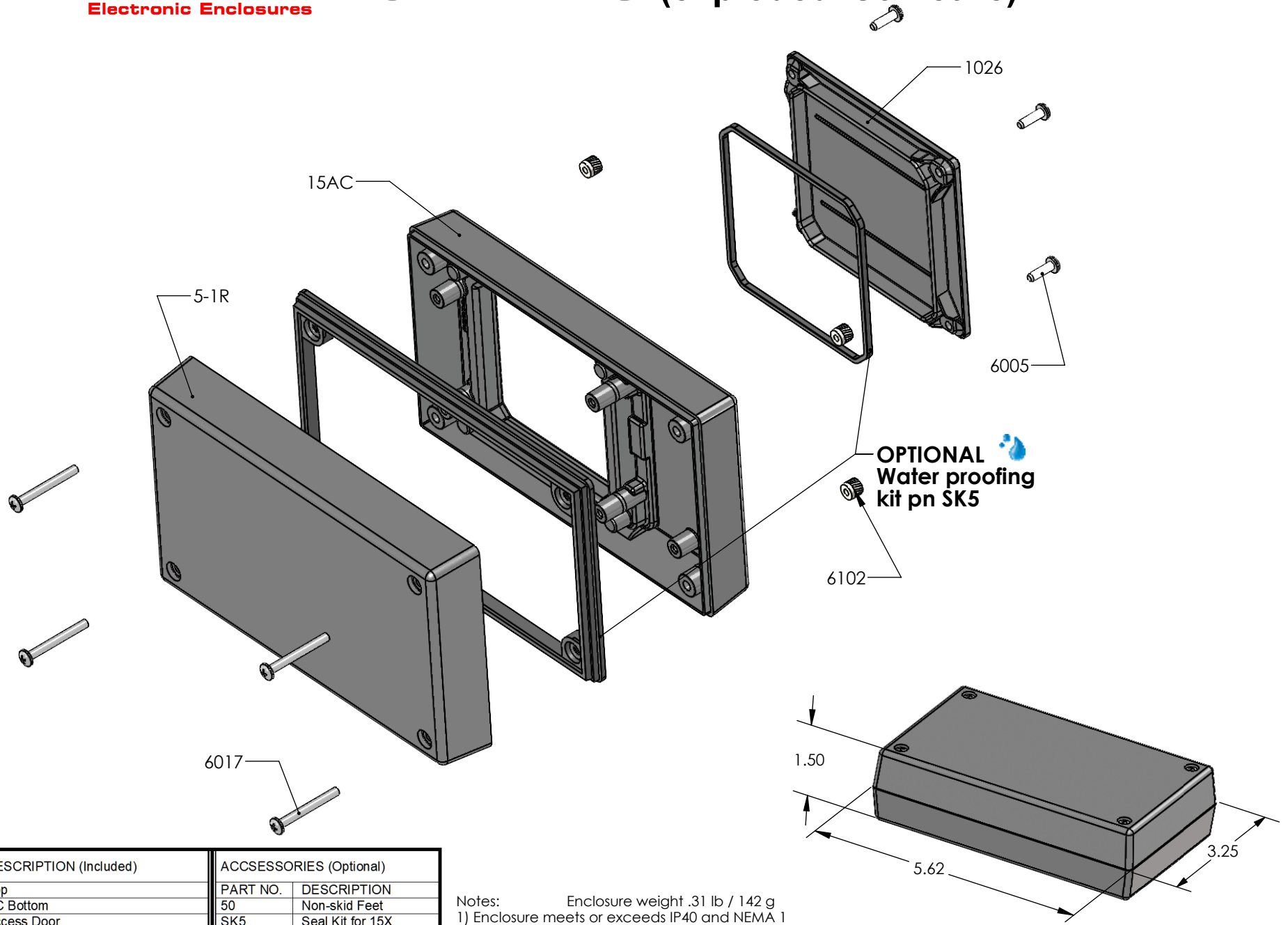


SERPAC 151RAC (exploded isometric)

Electronic Enclosures



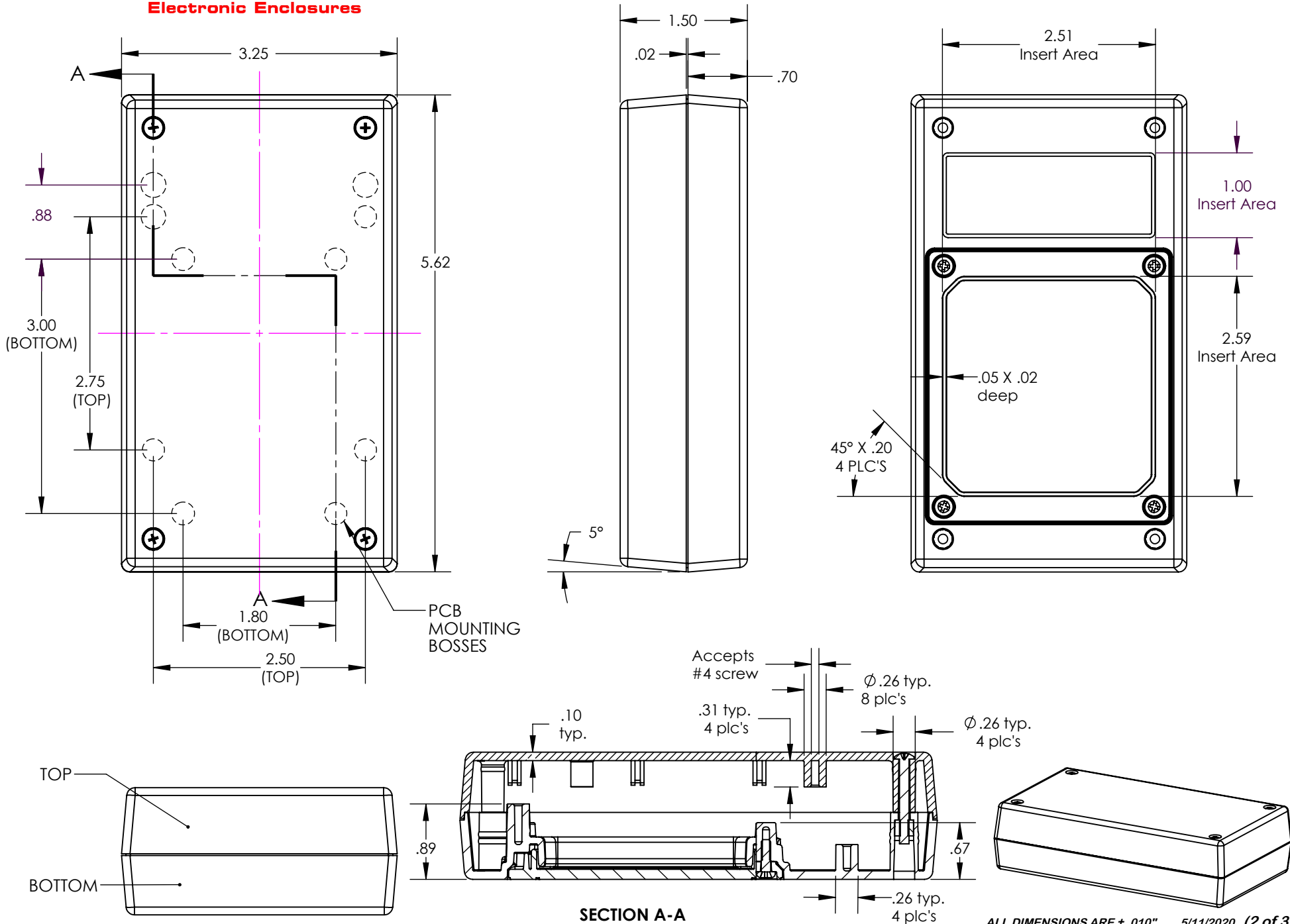
PART NO.	DESCRIPTION (Included)	ACCESSORIES (Optional)	
5-1R	Top	PART NO.	DESCRIPTION
15AC	AC Bottom	50	Non-skid Feet
1026	Access Door	SK5	Seal Kit for 15X
6005	#4X3/8" Self-Tapping Screw (4)		
6017	4-40 Screw (4)		
6102	4-40 Threaded Insert (4)		
73	Double Battery Contact (3)		
72	Single Battery Contact (2)		

Notes:

- 1) Enclosure weight .31 lb / 142 g
- 2) Enclosure meets or exceeds IP40 and NEMA 1
- 3) When used with SK5 the enclosure meets or exceeds IP 67 and NEMA 4X, 12 and 13 MIL-STD-810G 506.5 (.02 lb / 11g)
- 4) Circuit Board drawings see sheet 3.
- 5) All components are RoHS Compliant.

SERPAC 151RAC

Electronic Enclosures

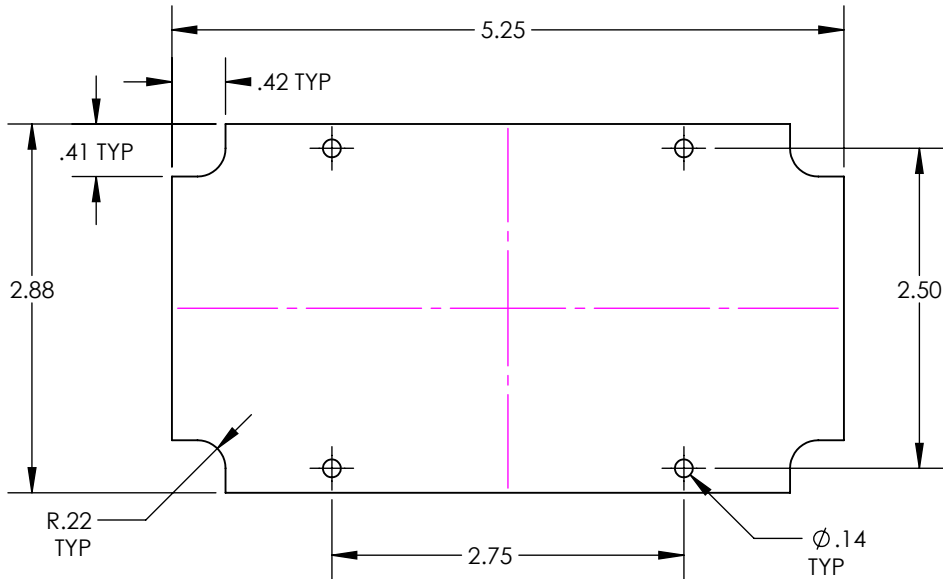


SECTION A-A

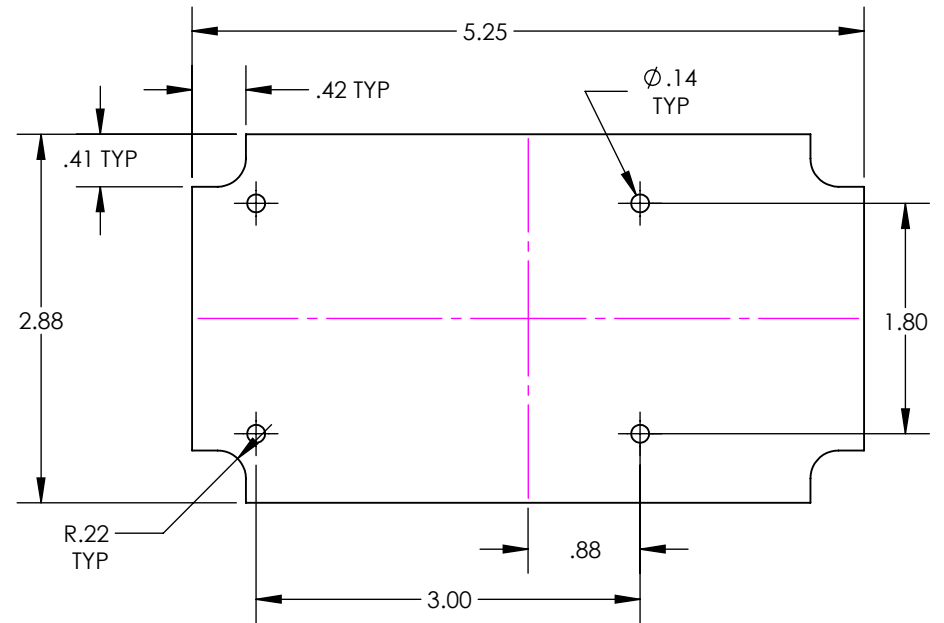
ALL DIMENSIONS ARE $\pm .010"$ 5/11/2020 (2 of 3)
2009 Wright Ave. La Verne, CA 91750
Ph. (626) 331-0517 Fx. (626) 331-8584 www.serpac.com

PCB for 15X compartment enclosures

CIRCUIT BOARD FOR TOP



CIRCUIT BOARD FOR BOTTOM



SMALL CIRCUIT BOARD FOR BOTTOM

