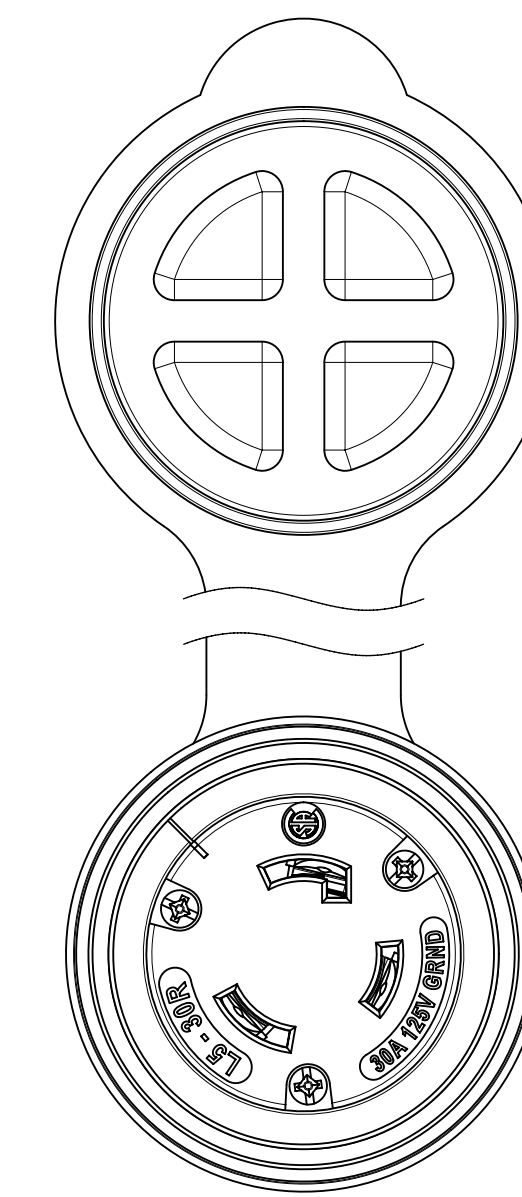
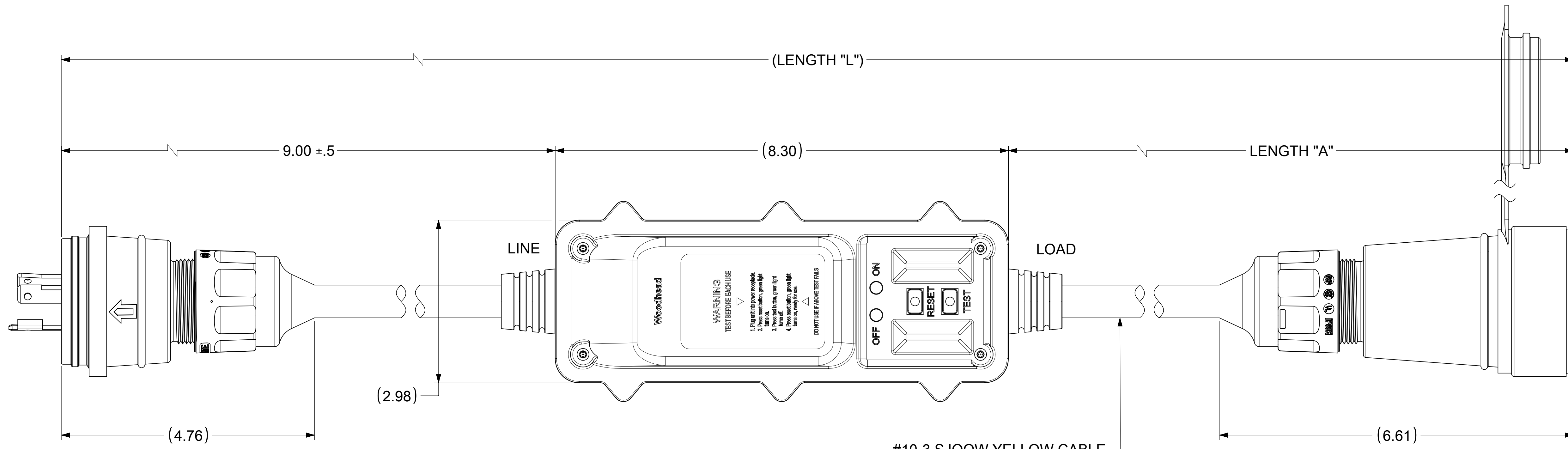
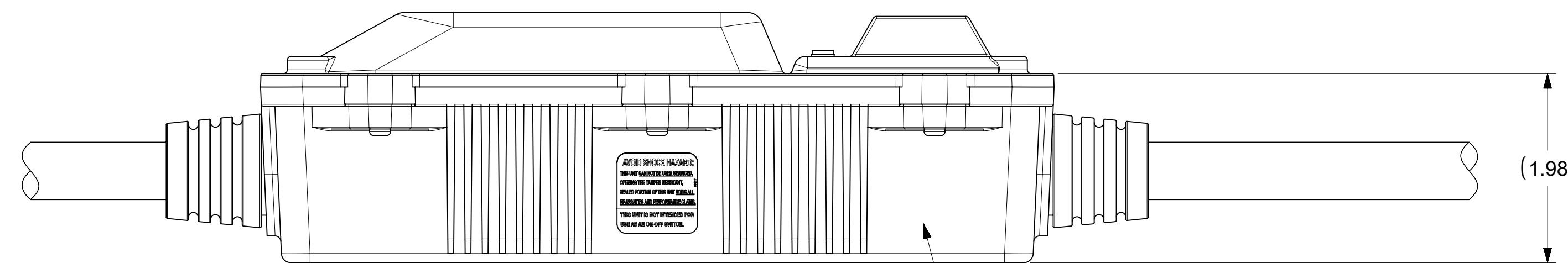


28W47 AS SHOWN



29W47 AS SHOWN



INLINE GFCI

TECHNICAL

- LISTED: UL & CSA
- RATED SUPPLY VOLTAGE: 120VAC, 240VAC
- RATED CURRENT: UP TO 30 AMPS
- RESET TYPE: MANUAL
- OPERATING FREQUENCY: 60 Hz
- TYPE: CLASS A
- GROUND TRIP CURRENT: 4-6 mA
- OVERLOAD CURRENT: 180 AMP
- INSULATION VOLTAGE: 1,500 VRMS - 1 MINUTE
- ENDURANCE OPERATIONS: 3000 OPERATIONS
- GFCI ENCLOSURE: NEMA 3R

MATERIAL NO.	PART NO.	LENGTH "A"	LENGTH "L"	INPUT PLUG	OUTPUT CONNECTOR	INLINE GFCI P/N	RATED VOLTAGE
1301530173	30052-1	9.00 IN. ± 0.5"	2 FT. 1 IN. ± 1"	28W47	29W47	30-0900	120V
1301530178	30052-6	5.0 FT. ± 1.0"	6 FT. 4 IN. ± 1.5"	28W47	29W47	30-0901	120V
1301530192	30054-1	9.00 IN. ± 0.5"	2 FT. 1 IN. ± 1"	28W48	29W48	30-0902	240V
1301530198	30054-6	5.0 FT. ± 1.0"	6 FT. 4 IN. ± 1.5"	28W48	29W48	30-0903	240V
1301530195	30054-25	24.0 FT. +2.0"/-0.0"	25 FT. 4 IN. +2.5"/-0.5"	28W48	29W48	30-0904	240V

FUNCTIONAL SYMBOLS FA = 0 FE = 0 FP = 0 DIVISIONAL SYMBOLS	THIS DRAWING CONTAINS INFORMATION THAT IS PROPRIETARY TO MOLEX ELECTRONIC TECHNOLOGIES, LLC AND SHOULD NOT BE USED WITHOUT WRITTEN PERMISSION. CURRENT REV DESC: UPDATED GFCI BODY.					
	DIMENSION UNITS: INCH SCALE: NTS GENERAL TOLERANCES (UNLESS SPECIFIED): ANGULAR TOL: ± °	EC NO: 723422 DRWN: PPURSUTANDEL 2022/09/26 CHK'D: DNGUYEN62 2022/10/04 APPR: HKNEELAND 2022/10/11				GFCI IN-LINE 30A WITH WATERTITE PLUG & CONN
	DRAFT WHERE APPLICABLE MUST REMAIN WITHIN DIMENSIONS		THIRD ANGLE PROJECTION	DRAWING: D-SIZE SERIES: 130153	MATERIAL NUMBER: SEE TABLE CUSTOMER: GENERAL MARKET	SHEET NUMBER: 1 OF 1
	PRODUCT CUSTOMER DRAWING DOCUMENT NUMBER: 1301530173 DOC TYPE: PSD DOC PART: 000 REVISION: B					