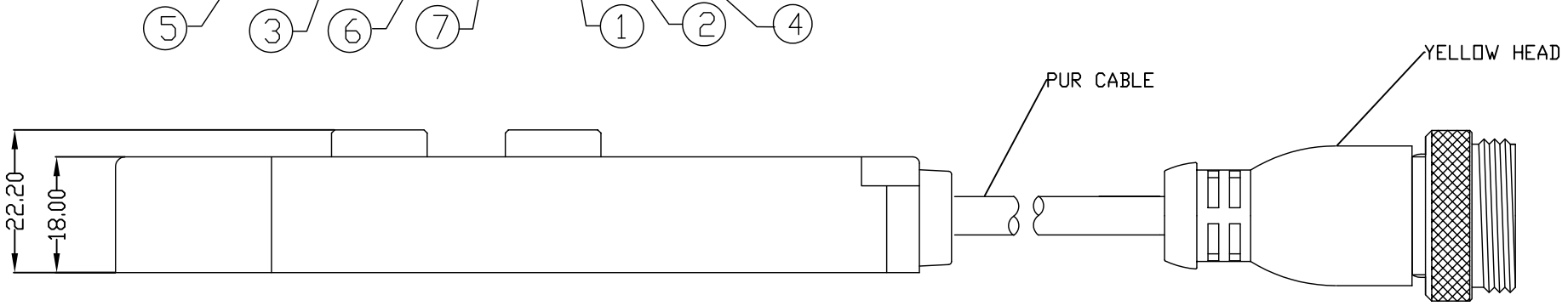
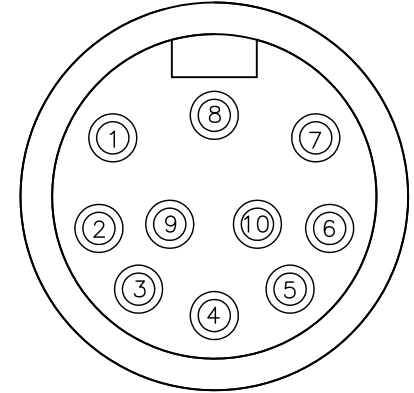


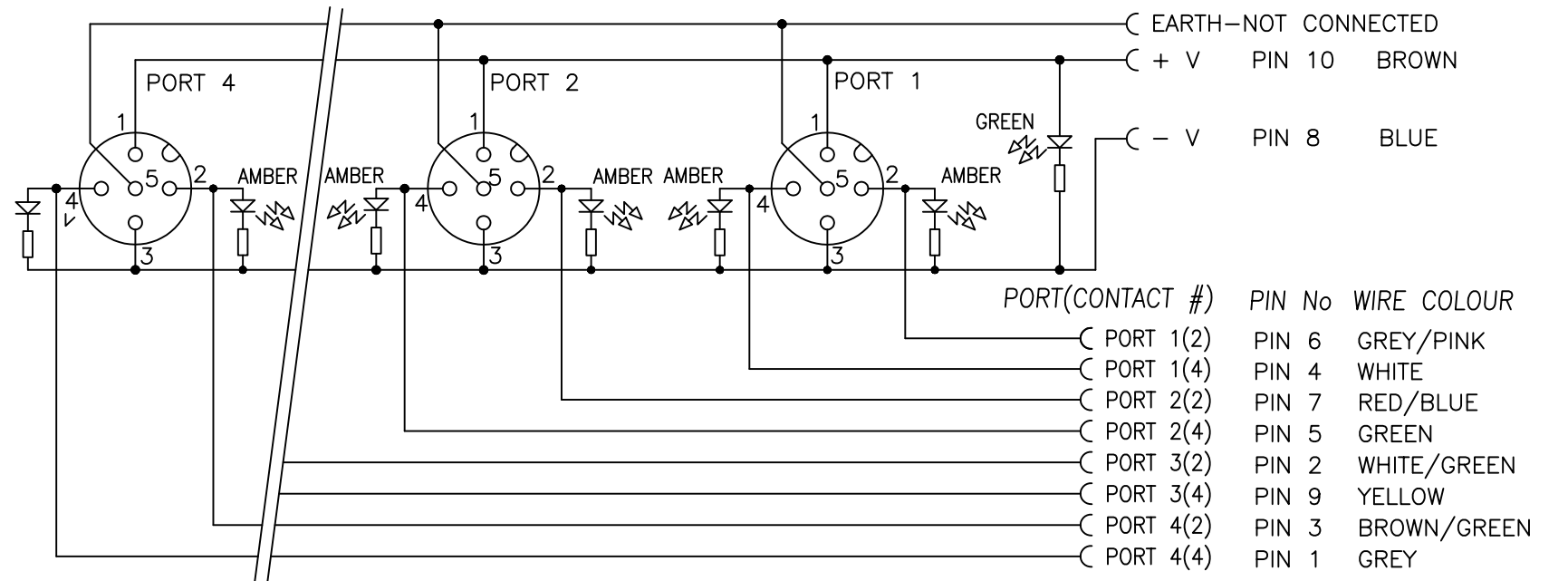
NOTE
FACE VIEW
ON CONNECTOR



MATERIAL NUMBER	OLD PART NUMBER	FINISHED LENGTH	CABLE JACKET MATERIAL
1201140051	BTY493P-FBP-003	0.3M +Toleranz	PUR

VOLTAGE RATING	10-30 VDC
AMPERAGE RATING PER PORT	4 AMPS
PROTECTION	IP67
OPERATING TEMPERATURE	-20°C TO 90°C
UL CERTIFICATIONS	UL RECOGNIZED, FILE NO. E46237
CSA CERTIFICATIONS	CSA CERTIFIED, FILE NO. LR6837

ITEM	COMPONENT	MATERIAL	FINISH
1	INSERT	NYLON	BLACK
2	CONTACT SOCKET	COPPER ALLOY	GOLD OVER NICKEL
3	O-RING	NITRILE	RED
4	RECEPTACLE SHELL	BRASS	NICKEL PLATED
5	HOUSING	PBT	YELLOW
6	LABEL	ABS	WHITE
7	LENS	NYLON	CLEAR



FUNCTION	PIN No	WIRE COLOUR
EARTH-NOT CONNECTED		
+ V	PIN 10	BROWN
- V	PIN 8	BLUE

PORT(CONTACT #)	PIN No	WIRE COLOUR
PORT 1(2)	PIN 6	GREY/PINK
PORT 1(4)	PIN 4	WHITE
PORT 2(2)	PIN 7	RED/BLUE
PORT 2(4)	PIN 5	GREEN
PORT 3(2)	PIN 2	WHITE/GREEN
PORT 3(4)	PIN 9	YELLOW
PORT 4(2)	PIN 3	BROWN/GREEN
PORT 4(4)	PIN 1	GREY

DESCRIPTION EC NO: WEU2010-0423 DRWN: LSTEMMLE 2010/03/12 CHKD: NSTAUDIG APPR: NSTAUDIG 2010/03/16	QUALITY SYMBOLS ▽ = 0 ▽/C = 0	GENERAL TOLERANCES (UNLESS SPECIFIED) mm INCH 4 PLACES ±--- ±--- 3 PLACES ±--- ±--- 2 PLACES ±--- ±.01 1 PLACE ±0.3 ±--- ANGULAR ± --- °	DIMENSION STYLE MM ONLY DRAWN BY DATE LSTEMMLE 2010/03/12 CHECKED BY DATE FP 2010/03/15 APPROVED BY DATE NSTAUDIG 2010/03/15 MATERIAL NO. SEE TABLE	SCALE 2:1 DESIGN UNITS METRIC THIRD ANGLE PROJECTION	MICRO-CHANGE MPIS 4 PORT PNP TWIN PORT 5P 10P-MM MOLDED CON.	MOLEX INCORPORATED DOCUMENT NO. SD-120114-030 SHEET NO. 1 OF 1
	DRAFT WHERE APPLICABLE MUST REMAIN WITHIN DIMENSIONS		THIS DRAWING CONTAINS INFORMATION THAT IS PROPRIETARY TO MOLEX INCORPORATED AND SHOULD NOT BE USED WITHOUT WRITTEN PERMISSION			