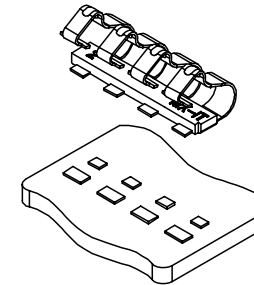
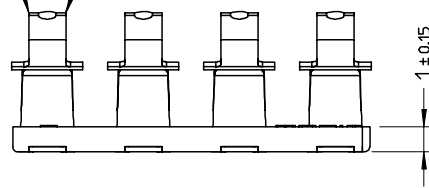
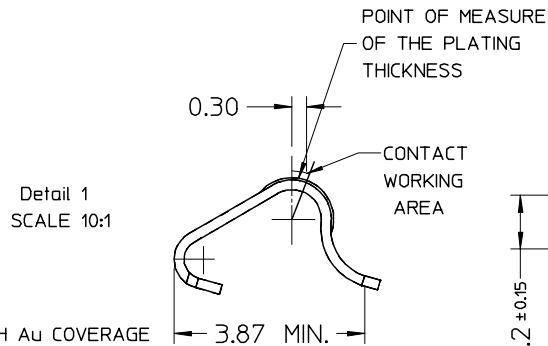
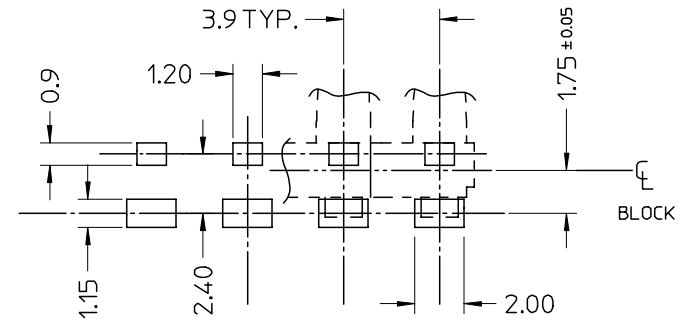


EDGES CONED  
IN CONTACT AREA  
(4 CONTACTS)

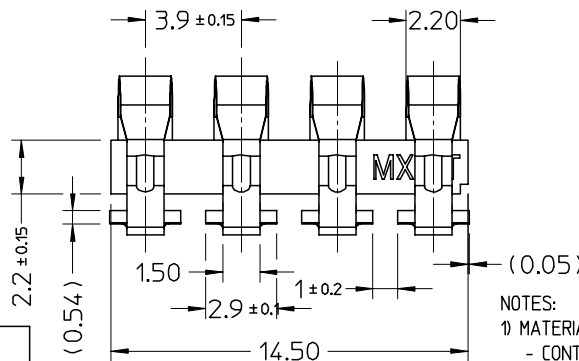
0.00  
COPLANARITY  
TO BE 0.10 MAX  
FROM SETTINGS  
PLANE (4 CONTACTS)



RECOMMENDED PCB LAY-OUT  
AND PART POSITIONING ONTO THE PCB



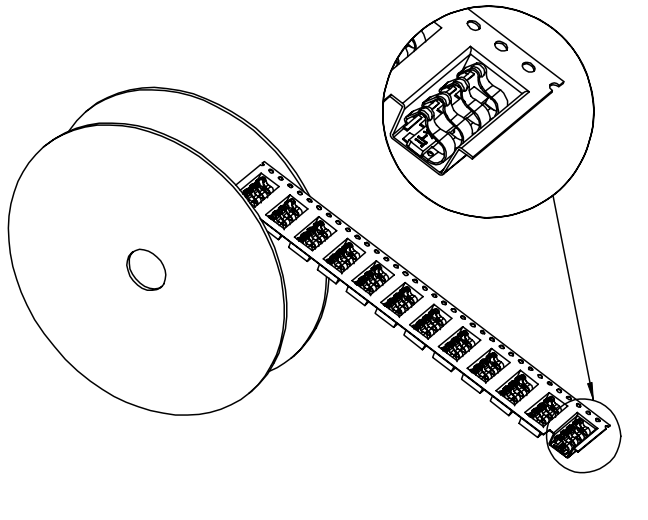
AREA WITH Au COVERAGE



NOTES:

- 1) MATERIALS:
  - CONTACT: BeCu ALLOY 0.20 mm THICK
  - HOUSING: BLACK PA 46
- 2) PLATING: 1.3-3.8um Ni OVERALL
  - CONTACT WORKING AREA: 0.7-1.15 um Au - OVER 1.0-3.1um PdNi
  - SOLDER TAIL: 4.0-7.5 um MIN Sn
- 3) PACKAGING: TAPE & REEL (900 PCS/REEL - 5 REELS/BOX), 4500 PCS/BOX (STD. PACK QUANTITY)
- 4) PRODUCT CHARACTERISTICS ACCORDING TO PS-94337-005
- 5) DIMENSIONS IN BRACKETS (...) ARE FOR REFERENCE ONLY
- 6) THE POSITION OF THE SLOT AND THE ORIENTATION OF THE MARKINGS AREA CAN VARY ACCORDING TO THE MOLD CAVITIES.

STD. DESCR.: BATTERY CONN 5.7 HEIGHT 4 CKT



EC NO: Z2006-0200 DRWN: SBARBIER 2006/05/24 CHKD: RSANDANQ 2006/05/24 APPR: FBISELLO 2006/05/24	QUALITY SYMBOLS	GENERAL TOLERANCES (UNLESS SPECIFIED)		SCALE 5:1	DESIGN UNITS METRIC	FIRST ANGLE PROJECTION	REVISE ON CAD ONLY	
	▼ - 0 ∇ - 0		mm	INCH	DIMENSION STYLE MM ONLY		TITLE 4 CKT BATTERY CONNECTOR	
		4 PLACES	± ---	± ---	DRAWN BY SBARBIER	DATE 02-02-06	MOLEX INCORPORATED	
		3 PLACES	± ---	± ---	CHECKED BY MTESTAGU	DATE 02-02-07		
2 PLACES	± 0.13	± ---	APPROVED BY RMARTUCC	DATE 02-02-07	MATERIAL NO. 94337-5014	DOCUMENT NO. SD-94337-001	SHEET NO. 1 OF 1	
		1 PLACE	± 0.3	DRAFT WHERE APPLICABLE MUST REMAIN WITHIN DIMENSIONS		THIS DRAWING CONTAINS INFORMATION THAT IS PROPRIETARY TO MOLEX INCORPORATED AND SHOULD NOT BE USED WITHOUT WRITTEN PERMISSION		
		ANGULAR ± 3 °						