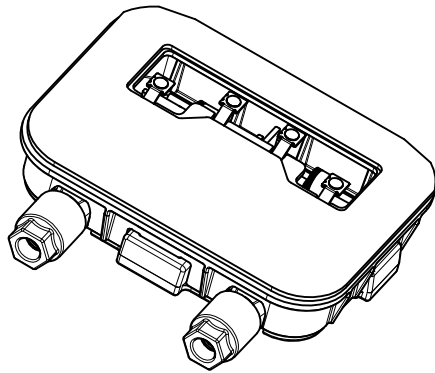
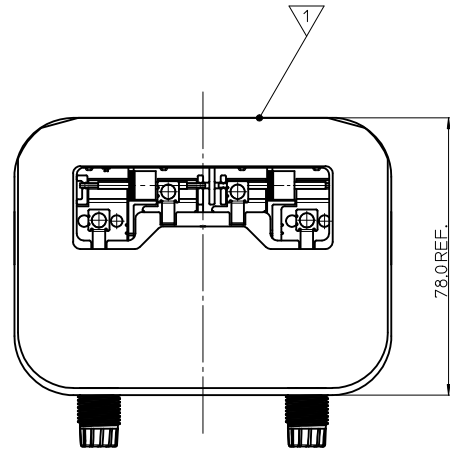


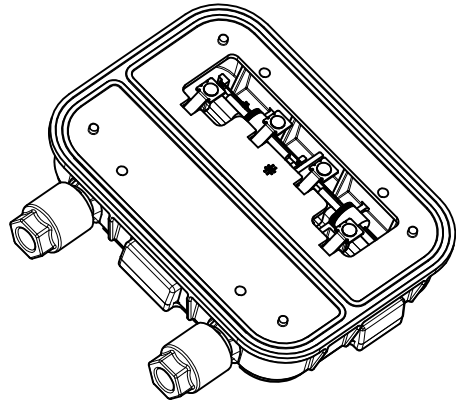
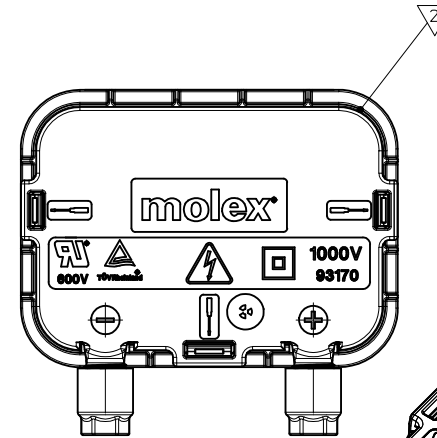
ITEM	DESCRIPTION	QTY	SHEETS
1	PANEL ASSEMBLY	1	2,3,5 & 6
2	COVER ASSEMBLY	1	4,5 & 6



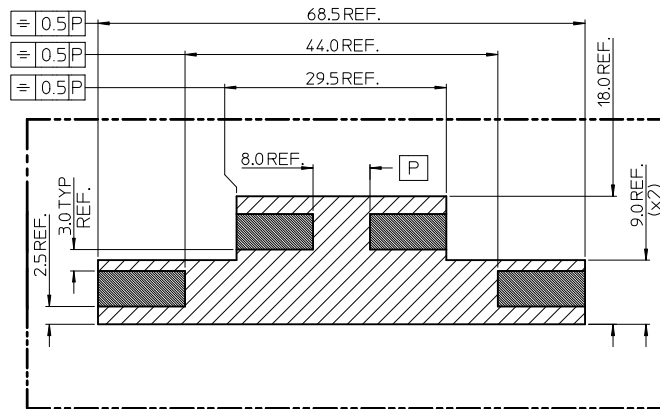
TAPE VERSION



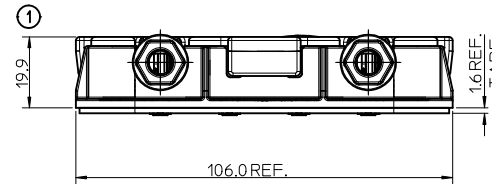
78.0 REF.



SILICONE VERSION



SUGGESTION FOR LAMINATE CUT-OUT & RIBBON POSITIONS (CUSTOMER CAN DECIDE BASED ON CAPABILITY)

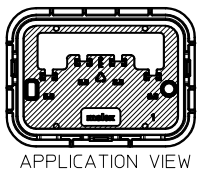
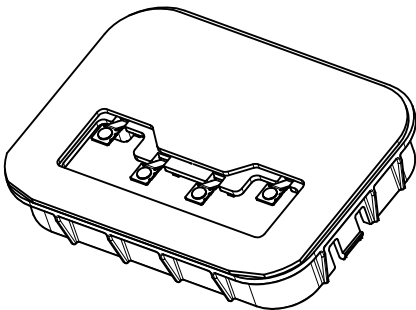
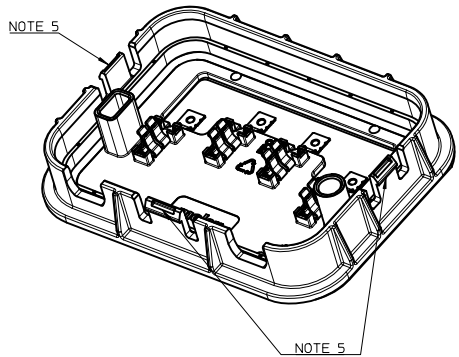


NOTES:

1. HOUSING MATERIAL: PPO, COLOUR BLACK
2. TERMINAL MATERIALS: COPPER ALLOY
3. TERMINAL PLATING: Ag AND Ni
4. IP RATING: 65
5. WITHSTAND VOLTAGE: 1000V
6. CURRENT RATING: 9A
7. TEMPERATURE RANGE: -40°C TO 85°C
8. FOR CURRENT & VOLTAGE RATINGS SEE PRODUCT SPECIFICATION: PS-93170-001
9. SEE SD-93170-050 FOR FULL ASSEMBLY WITH CABLE OPTIONS

INSPECTION NUMBERS RESERVED FOR SHEET 1: 1-50
LAST INSPECTION NUMBER USED: 1

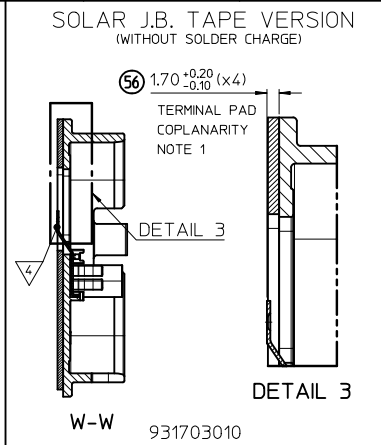
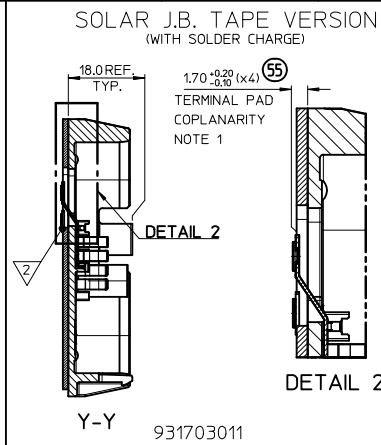
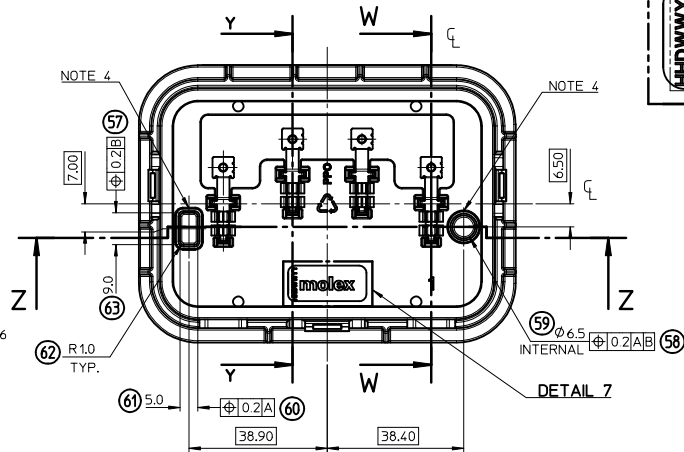
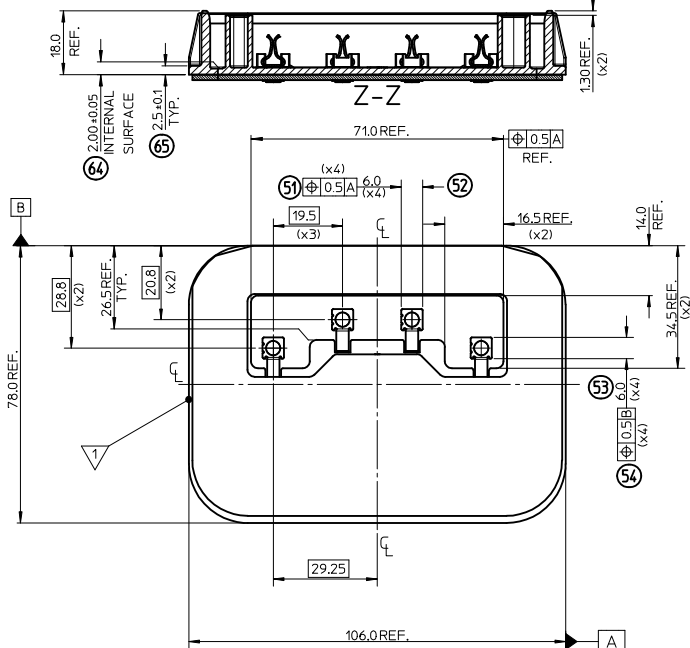
UPDATED TAPE EC NO: E2011-0070 DRAWN: JOCONNOR 2010/08/16 CHKD: 2010/08/31 APPR: EFOLAN 2010/08/31	QUALITY SYMBOLS	GENERAL TOLERANCES (UNLESS SPECIFIED)	DIMENSION STYLE MM ONLY	SCALE 2:1	DESIGN UNITS METRIC	THIRD ANGLE PROJECTION
	▽=0	mm INCH	DRAWN BY DATE	TITLE	JUNCTION BOX FOR P.V. SOLAR PANEL SOLARSPEC (TM)	
	▽=0	4 PLACES ± --- ± ---	MSHANAHAN 2008/7/11	CHECKED BY DATE		
	DESCRIPTION	1 PLACE ± 0.2 ± ---	2 PLACES ± 0.10 ± ---	SMCGREEVY 2008/7/11	APPROVED BY DATE	MOLEX INCORPORATED
REV	ANGULAR ± 2 °	1 PLACE ± 0.2 ± ---	EFOLAN 2010/03/31	MATERIAL NO.	DOCUMENT NO.	SHEET NO.
	DRAFT WHERE APPLICABLE MUST REMAIN WITHIN DIMENSIONS		SHTS 2,3 & 4		SD-93170-001	NIL OF 6
			SIZE A2	THIS DRAWING CONTAINS INFORMATION THAT IS PROPRIETARY TO MOLEX INCORPORATED AND SHOULD NOT BE USED WITHOUT WRITTEN PERMISSION		



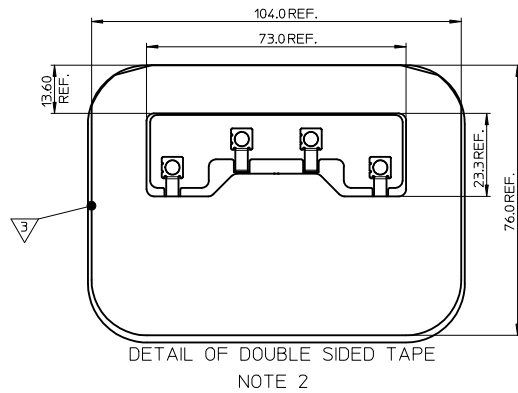
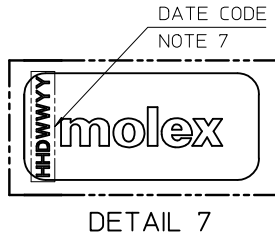
NOTES:

- PANEL ASSEMBLY TERMINALS COME WITH OR WITHOUT SOLDER (SEE SHEET 6 FOR OPTIONS). ALL TERMINALS MEASURED BY DISTANCE FROM TERMINAL PAD TO HOUSING. TERMINAL PAD SHOULD BE BELOW LEVEL OF DOUBLE SIDED TAPE. SOLDER CHARGE PRE-TREATED WITH FLUX.
- DOUBLE-SIDED TAPE FOR ADHESION TO PANEL, WINDOW FOR TERMINALS WILL BE CLOSED WITH EXISTING CARRIER TAPE.
- APPLY 10-15N/cm2 (15-22psi) PRESSURE TO ENSURE CORRECT ADHESION. PRESSURE TO BE APPLIED TO INNER SURFACE OF PANEL HOUSING (SEE HATCHED AREA IN APPLICATION VIEW).
- ALIGNMENT FEATURES FOR GUIDING APPLICATION TOOLING (PRESS TOOL AND SOLDERING TOOL).
- LATCHES FOR RETENTION OF COVER ASSEMBLY.
- ALL DIMENSIONS OTHER THAN FOR TAPE, APPLY TO SILICONE VERSIONS ALSO (SEE SHEET 3).
- PANEL ASSEMBLY PARTS MARKED WITH DATE CODE AS SHOWN, AT TIME OF MANUFACTURE. SEE SHEET 6 FOR DETAILS.

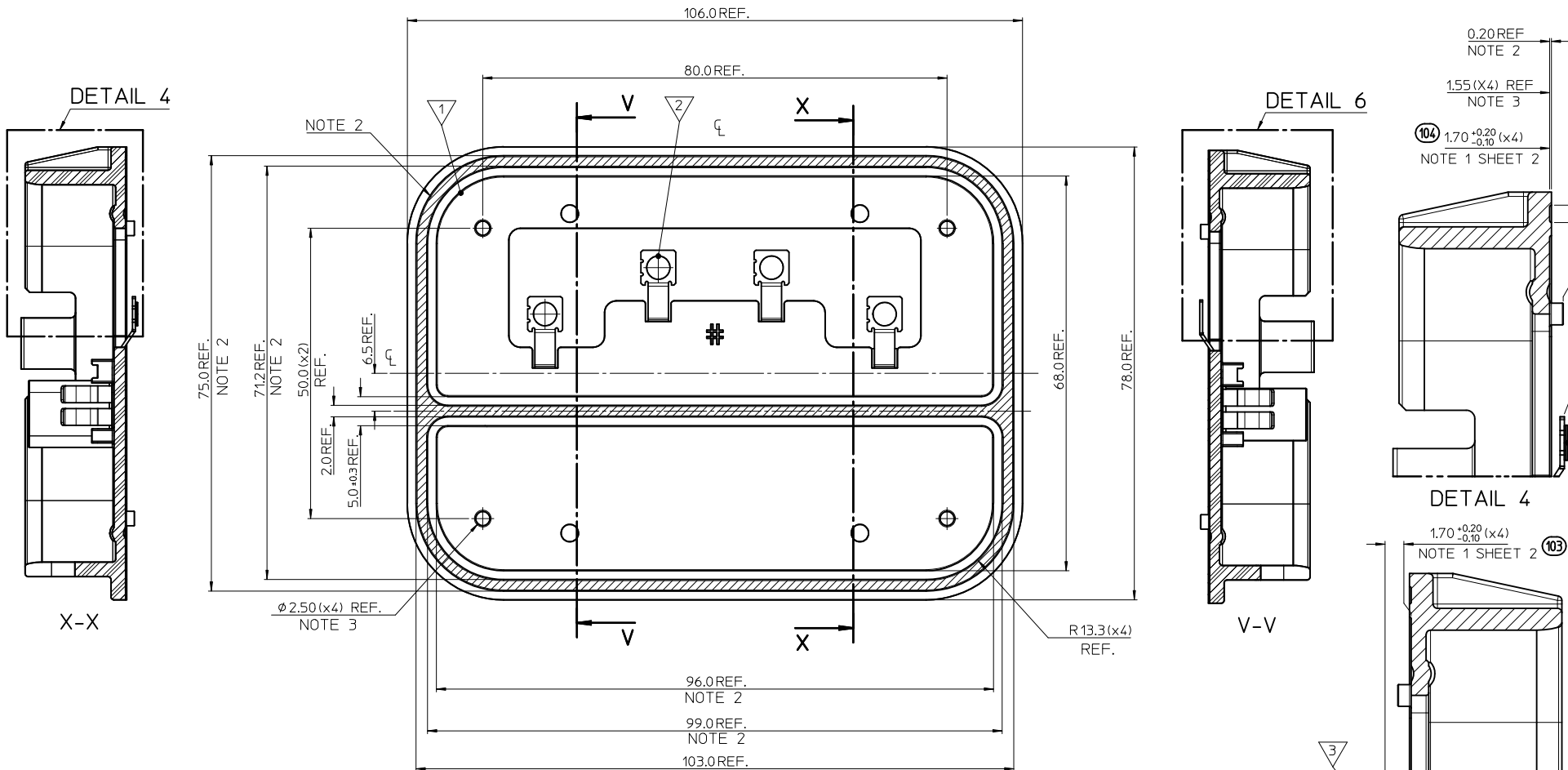
INSPECTION NUMBERS RESERVED FOR SHEET 2: 51-100
LAST INSPECTION NUMBER USED: 66



ITEM	DESCRIPTION	QTY	ITEM	DESCRIPTION	QTY
▽	HOUSING	1	▽	HOUSING	1
▽	PANEL TERM W/ SLDR CHARGE	4	▽	PANEL TERM PLATED	4
▽	DOUBLE-SIDED TAPE	1	▽	DOUBLE-SIDED TAPE	1



SEE SHEET 1 EC NO: E2011-0070 DRAWN: JOCANNOR 2010/08/16 CHKD: 2010/08/31 APPR: EFO LAN 2010/08/31	QUALITY SYMBOLS ▽=0 ▽=0	GENERAL TOLERANCES (UNLESS SPECIFIED)		DIMENSION STYLE MM ONLY	SCALE 2:1	DESIGN UNITS METRIC	THIRD ANGLE PROJECTION	
		mm	INCH	DRAWN BY MSHANAHAN	DATE 2008/7/11	TITLE JUNCTION BOX FOR P.V. SOLAR PANEL SOLARSPEC (TM)		
		4 PLACES ± ---	± ---	CHECKED BY SMCGREEVY	DATE 2008/7/11	MOLEX INCORPORATED		
		3 PLACES ± 0.10	± ---	APPROVED BY EFO LAN	DATE 2010/03/31	MATERIAL NO. 93170301*	DOCUMENT NO. SD-93170-001	SHEET NO. NIL OF 6
DRAFT WHERE APPLICABLE MUST REMAIN WITHIN DIMENSIONS		ANGULAR ± 2 °		THIS DRAWING CONTAINS INFORMATION THAT IS PROPRIETARY TO MOLEX INCORPORATED AND SHOULD NOT BE USED WITHOUT WRITTEN PERMISSION				

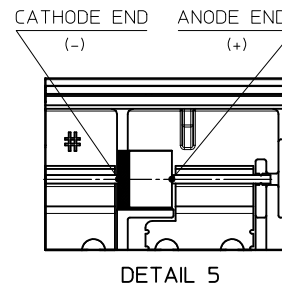
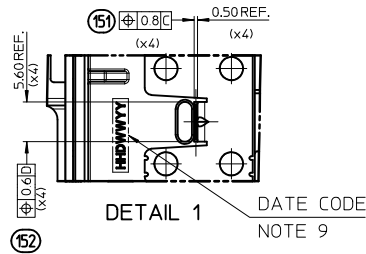
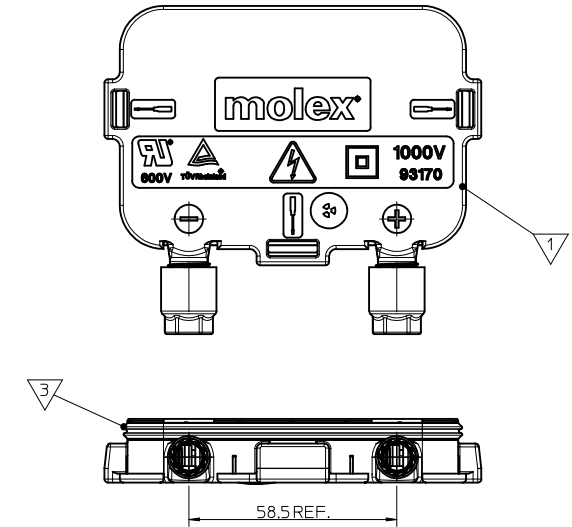
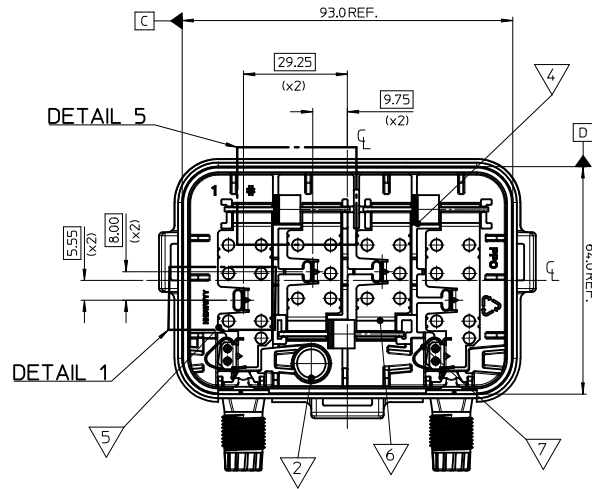
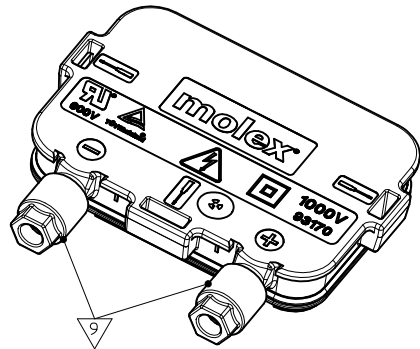
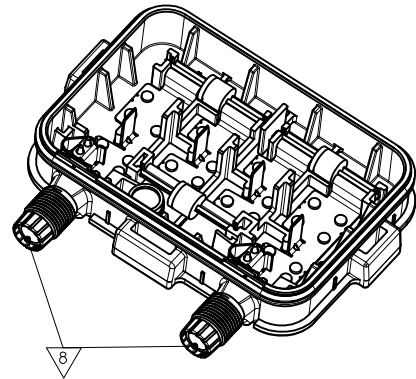


- NOTES:
1. DIMENSIONS APPLY TO SILICONE VERSIONS OF PANEL ASSEMBLIES ONLY.
ALL OTHER DIMENSIONS SEE SHEETS 1 & 2
 2. HATCHED AREA SHOWS DETAIL OF GROOVE FOR SILICONE APPLICATION.
GROOVE WALLS RAISED 0.2mm FROM BOTTOM SURFACE OF HOUSING TO MAINTAIN PLASTIC THICKNESS OF 2mm.
 3. 4x STAND-OFFS TO GIVE SAME TERMINAL HEIGHTS AS FOR TAPE VERSIONS.

INSPECTION NUMBERS RESERVED FOR SHEET 3: 101-150
 DELETED INSPECTION NUMBER: 101,102
 LAST INSPECTION NUMBER USED: 104

SOLAR J.B SILICONE VERSIONS WITH SOLDER CHARGE 931703001			SOLAR J.B SILICONE VERSIONS WITHOUT SOLDER CHARGE 931703000		
ITEM	DESCRIPTION	QTY	ITEM	DESCRIPTION	QTY
▽	HOUSING	1	▽	HOUSING	1
▽	PANEL TERM W/ SLDR CHARGE	4	▽	PANEL TERM PLATED	4

SEE SHEET 1 EC NO: E2011-0070 DRAWN: J O'CONNOR 2010/08/16 CHKD: 2010/08/31 APPR: EFOLAN 2010/08/31	QUALITY SYMBOLS ▽=0 ▽=0	GENERAL TOLERANCES (UNLESS SPECIFIED) <table border="1"> <tr> <th></th> <th>mm</th> <th>INCH</th> </tr> <tr> <td>4 PLACES</td> <td>± ---</td> <td>± ---</td> </tr> <tr> <td>3 PLACES</td> <td>± ---</td> <td>± ---</td> </tr> <tr> <td>2 PLACES</td> <td>± 0.10</td> <td>± ---</td> </tr> <tr> <td>1 PLACE</td> <td>± 0.2</td> <td>± ---</td> </tr> <tr> <td colspan="3">ANGULAR ± 2 °</td> </tr> </table>		mm	INCH	4 PLACES	± ---	± ---	3 PLACES	± ---	± ---	2 PLACES	± 0.10	± ---	1 PLACE	± 0.2	± ---	ANGULAR ± 2 °			DIMENSION STYLE MM ONLY	SCALE 2:1	DESIGN UNITS METRIC	THIRD ANGLE PROJECTION
		mm	INCH																					
	4 PLACES	± ---	± ---																					
	3 PLACES	± ---	± ---																					
2 PLACES	± 0.10	± ---																						
1 PLACE	± 0.2	± ---																						
ANGULAR ± 2 °																								
DRAWN BY MSHANAHAN 2008/7/11	DATE 2008/7/11	CHECKED BY SMCREEVY 2008/7/11	DATE 2008/7/11	TITILE JUNCTION BOX FOR P.V. SOLAR PANEL SOLARSPEC (TM)																				
APPROVED BY EFOLAN 2010/03/31	DATE 2010/03/31	MATERIAL NO. 93170300*		DOCUMENT NO. SD-93170-001		SHEET NO. NIL OF 6																		
DRAFT WHERE APPLICABLE MUST REMAIN WITHIN DIMENSIONS			THIS DRAWING CONTAINS INFORMATION THAT IS PROPRIETARY TO MOLEX INCORPORATED AND SHOULD NOT BE USED WITHOUT WRITTEN PERMISSION																					

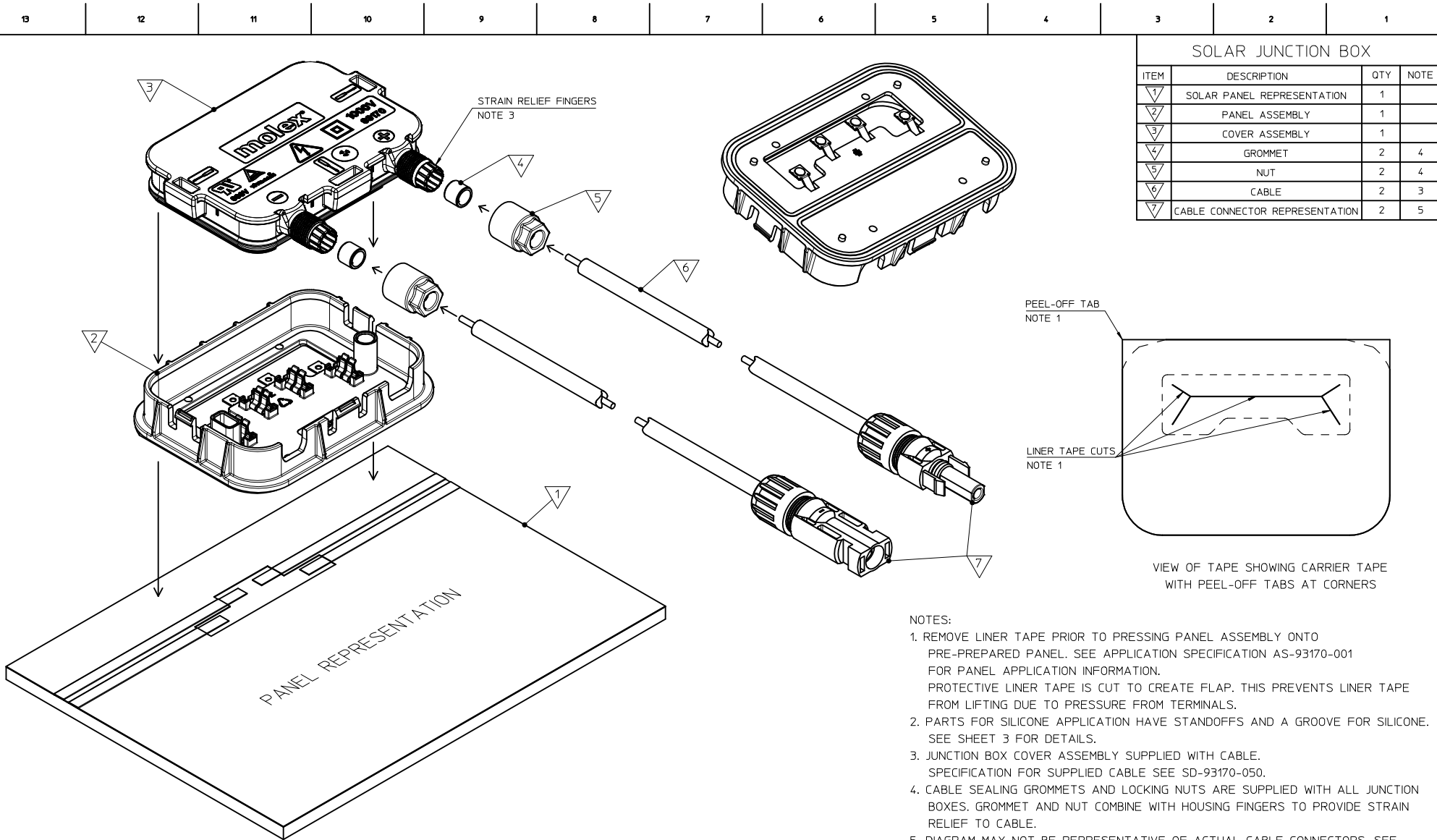


- NOTES:
1. SEPARATE COVER ASSEMBLY FROM BASE BY OPENING RETENTION CLIPS WITH SCREWDRIVER.
 2. PRESSURE EQUALISATION AND BREATHABILITY VENT.
 3. SILICONE SEAL: SHORE HARDNESS: 30A
 4. DIODES SOLDERED TO TERMINALS TO GIVE BEST HEAT REMOVAL PERFORMANCE.
 5. TERMINALS HEAT STAKED INTO HOUSING. LARGE SURFACE AREA FOR HEAT DISSIPATION.
 6. INSERT CABLE BY OPENING CABLE CLAMP WITH LONG-NOSE PLIERS.
 7. PARTS SUPPLIED WITH OR WITHOUT CABLES (SEE SHEET 6)
 8. PARTS SUPPLIED WITH GROMMETS INSTALLED. FOR JUNCTION BOX ONLY ASSEMBLIES, M12 NUT WILL BE SUPPLIED INSTALLED BUT NOT TIGHTENED.
 153. COVER ASSEMBLY PARTS MARKED WITH DATE CODE AS SHOWN, AT TIME OF MANUFACTURE. SEE SHEET 6 FOR DETAILS.

INSPECTION NUMBERS RESERVED FOR SHEET 3: 151-200
LAST INSPECTION NUMBER USED: 153

931704000			
ITEM	DESCRIPTION	QTY	NOTE
1	COVER HOUSING	1	1
2	BREATHABLE VENT	1	2
3	SILICONE SEAL	1	3
4	DIODE	3	4
5	TERMINAL (OUTER)	2	5
6	TERMINAL (CENTRE)	2	5
7	CABLE SPRING CLAMP	2	6
8	SILICONE GROMMET	2	7
9	M12 NUT	2	8

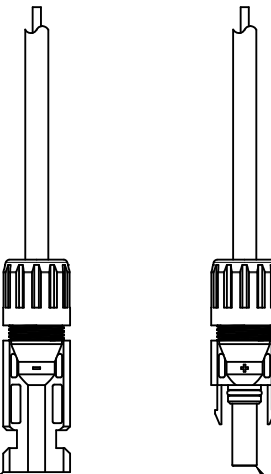
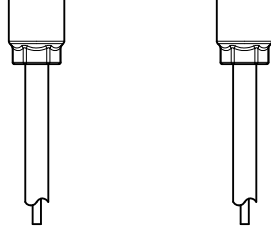
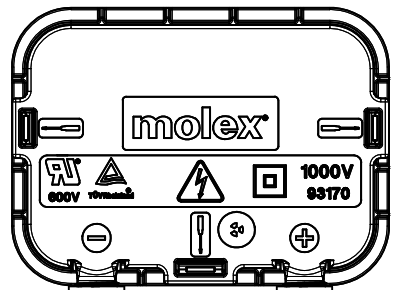
SEE SHEET 1 EC NO: E2011-0070 DRWN: JCONNOR 2010/08/16 CHKD: 2010/08/31 APPR: EFOLAN 2010/08/31	QUALITY SYMBOLS ▽=0 ▽=0	GENERAL TOLERANCES (UNLESS SPECIFIED)		DIMENSION STYLE MM ONLY		SCALE 2:1	DESIGN UNITS METRIC	THIRD ANGLE PROJECTION		
		4 PLACES ± --- ± --- 3 PLACES ± --- ± --- 2 PLACES ± 0.10 ± --- 1 PLACE ± 0.2 ± ---		DRAWN BY DATE MSHANAHAN 2008/7/11		TITLE JUNCTION BOX FOR P.V. SOLAR PANEL SOLARSPEC (TM)		MATERIAL NO. 931704000		
		DRAFT WHERE APPLICABLE MUST REMAIN WITHIN DIMENSIONS		CHECKED BY DATE SMCGREEVY 2008/7/11		APPROVED BY DATE EFOLAN 2010/03/31		DOCUMENT NO. SD-93170-001		
				SIZE A2		THIS DRAWING CONTAINS INFORMATION THAT IS PROPRIETARY TO MOLEX INCORPORATED AND SHOULD NOT BE USED WITHOUT WRITTEN PERMISSION			SHEET NO. NIL OF 6	



SOLAR JUNCTION BOX				
ITEM	DESCRIPTION	QTY	NOTE	
1	SOLAR PANEL REPRESENTATION	1		
2	PANEL ASSEMBLY	1		
3	COVER ASSEMBLY	1		
4	GROMMET	2	4	
5	NUT	2	4	
6	CABLE	2	3	
7	CABLE CONNECTOR REPRESENTATION	2	5	

- NOTES:
- REMOVE LINER TAPE PRIOR TO PRESSING PANEL ASSEMBLY ONTO PRE-PREPARED PANEL. SEE APPLICATION SPECIFICATION AS-93170-001 FOR PANEL APPLICATION INFORMATION. PROTECTIVE LINER TAPE IS CUT TO CREATE FLAP. THIS PREVENTS LINER TAPE FROM LIFTING DUE TO PRESSURE FROM TERMINALS. SEE SHEET 3 FOR DETAILS.
 - PARTS FOR SILICONE APPLICATION HAVE STANDOFFS AND A GROOVE FOR SILICONE.
 - JUNCTION BOX COVER ASSEMBLY SUPPLIED WITH CABLE. SPECIFICATION FOR SUPPLIED CABLE SEE SD-93170-050.
 - CABLE SEALING GROMMETS AND LOCKING NUTS ARE SUPPLIED WITH ALL JUNCTION BOXES. GROMMET AND NUT COMBINE WITH HOUSING FINGERS TO PROVIDE STRAIN RELIEF TO CABLE.
 - DIAGRAM MAY NOT BE REPRESENTATIVE OF ACTUAL CABLE CONNECTORS. SEE SD-93170-050 FOR DETAILS OF SUPPLIED CONNECTORS.

SEE SHEET 1 EC NO: E2011-0070 DRAWN: J O'CONNOR 2010/08/16 CHKD: 2010/08/31 APPR: EFOLAN 2010/08/31	QUALITY SYMBOLS	GENERAL TOLERANCES (UNLESS SPECIFIED)	DIMENSION STYLE	SCALE	DESIGN UNITS	THIRD ANGLE PROJECTION																																					
	$\nabla=0$ $\nabla=0$	<table border="1"> <tr> <th></th> <th>mm</th> <th>INCH</th> </tr> <tr> <td>4 PLACES</td> <td>± ---</td> <td>± ---</td> </tr> <tr> <td>3 PLACES</td> <td>± ---</td> <td>± ---</td> </tr> <tr> <td>2 PLACES</td> <td>± 0.10</td> <td>± ---</td> </tr> <tr> <td>1 PLACE</td> <td>± 0.2</td> <td>± ---</td> </tr> <tr> <td colspan="3">ANGULAR ± 2 °</td> </tr> </table>		mm	INCH	4 PLACES	± ---	± ---	3 PLACES	± ---	± ---	2 PLACES	± 0.10	± ---	1 PLACE	± 0.2	± ---	ANGULAR ± 2 °			<table border="1"> <tr> <th>MM ONLY</th> <th>DATE</th> <th>TITLE</th> </tr> <tr> <td>DRAWN BY</td> <td>2008/7/11</td> <td rowspan="2">JUNCTION BOX FOR P.V. SOLAR PANEL SOLARSPEC (TM)</td> </tr> <tr> <td>MSHANAHAN</td> <td></td> </tr> <tr> <td>CHECKED BY</td> <td>2008/7/11</td> <td rowspan="2">MOLEX INCORPORATED</td> </tr> <tr> <td>SMCGREEVY</td> <td></td> </tr> <tr> <td>APPROVED BY</td> <td>DATE</td> <td></td> </tr> <tr> <td>EFOLAN</td> <td>2010/03/31</td> <td></td> </tr> </table>	MM ONLY	DATE	TITLE	DRAWN BY	2008/7/11	JUNCTION BOX FOR P.V. SOLAR PANEL SOLARSPEC (TM)	MSHANAHAN		CHECKED BY	2008/7/11	MOLEX INCORPORATED	SMCGREEVY		APPROVED BY	DATE		EFOLAN	2010/03/31		2:1	METRIC	
		mm	INCH																																								
	4 PLACES	± ---	± ---																																								
3 PLACES	± ---	± ---																																									
2 PLACES	± 0.10	± ---																																									
1 PLACE	± 0.2	± ---																																									
ANGULAR ± 2 °																																											
MM ONLY	DATE	TITLE																																									
DRAWN BY	2008/7/11	JUNCTION BOX FOR P.V. SOLAR PANEL SOLARSPEC (TM)																																									
MSHANAHAN																																											
CHECKED BY	2008/7/11	MOLEX INCORPORATED																																									
SMCGREEVY																																											
APPROVED BY	DATE																																										
EFOLAN	2010/03/31																																										
DESCRIPTION	DRAFT WHERE APPLICABLE MUST REMAIN WITHIN DIMENSIONS	MATERIAL NO.	NOTE 9 SHT 1	DOCUMENT NO.	SD-93170-001	SHEET NO. NIL OF 6																																					



NEGATIVE
CONNECTOR

POSITIVE
CONNECTOR

PART NUMBERS FOR FINISHED
ASSEMBLIES WITHOUT CABLES
ARE SHOWN BELOW:

FULL ASSEMBLY	SILICONE/ TAPE	SOLDER CHARGE Y/N
931705000	SILICONE	N
931705001	SILICONE	Y
931705010	TAPE 1	N
931705011	TAPE 1	Y
931705020	TAPE 2	N
931705021	TAPE 2	Y
931705030	TAPE 3	N
931705031	TAPE 3	Y

H H D W W Y Y

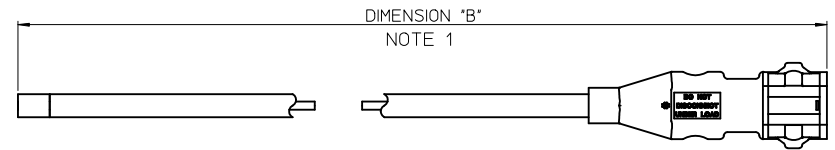
HOUR (1-24)

DAY (MONDAY = 1)

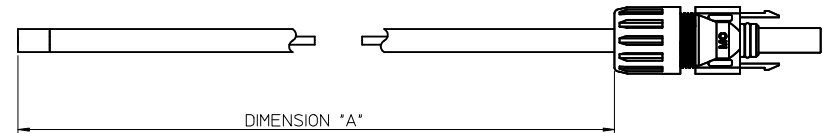
WEEK (1-52)

YEAR

DATE CODE
NOTE 2



DIMENSION "B"
NOTE 1



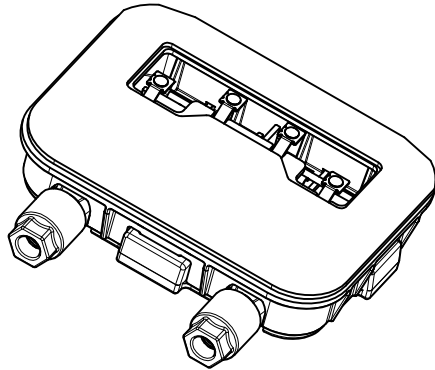
DIMENSION "A"
NOTE 1

NOTES:

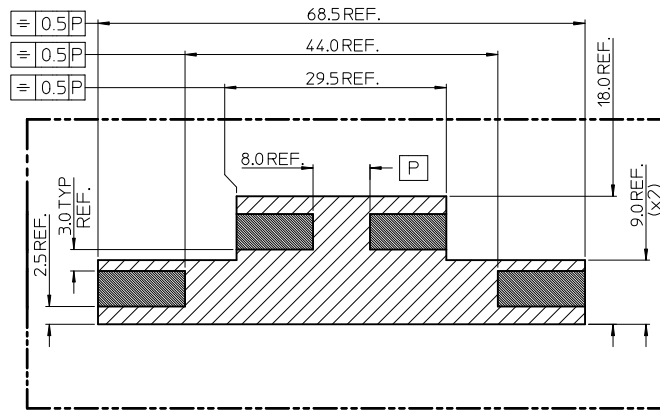
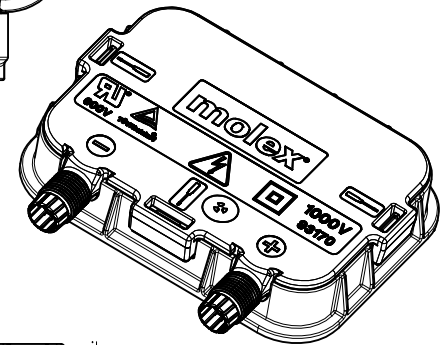
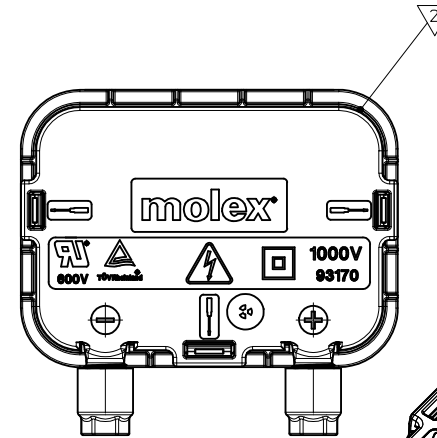
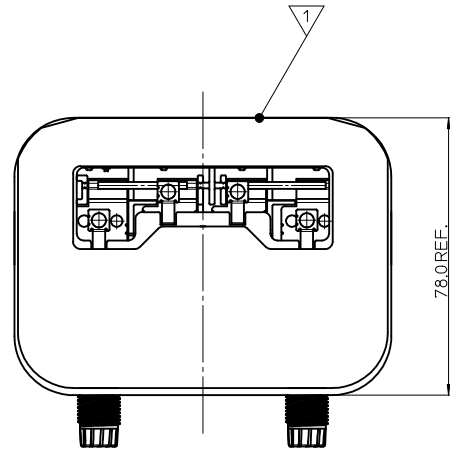
- DIMENSIONS "A" OR "B" CONTROLLED BY CHOSEN PART NUMBER. SEE SD-93170-050 FOR AVAILABLE CABLE/LENGTH OPTIONS. DIMENSION "A" DOES NOT INCLUDE LENGTH OF CONNECTOR. DIMENSION "B" INCLUDES LENGTH OF CONNECTOR.
- DATE CODE LASER MARKED ON ALL SUB-ASSEMBLIES. SEE SHEETS 2 & 4 FOR POSITION DETAILS.

SEE SHEET 1 EC NO: E2011-0070 DRAWN: J O'CONNOR 2010/08/16 CHKD: 2010/08/31 APPR: E FOLAN 2010/08/31	QUALITY SYMBOLS	GENERAL TOLERANCES (UNLESS SPECIFIED)		DIMENSION STYLE	SCALE	DESIGN UNITS	THIRD ANGLE PROJECTION	
	$\nabla=0$ $\nabla=0$	mm	INCH	MM ONLY	2:1	METRIC		
		4 PLACES ± ---	± ---	DRAWN BY	DATE	TITLE		
		3 PLACES ± ---	± ---	MSHANAHAN	2008/7/11	JUNCTION BOX FOR P.V. SOLAR PANEL SOLARSPEC (TM)		
	2 PLACES ± 0.10	± ---	CHECKED BY	DATE	MOLEX INCORPORATED			
	1 PLACE ± 0.2	± ---	SMCGREEVY	2008/7/11	SD-93170-001		SHEET NO. NIL OF 6	
	ANGULAR ± 2 °		APPROVED BY	DATE	DOCUMENT NO.			
			E FOLAN	2010/03/31	SD-93170-001			
	DRAFT WHERE APPLICABLE MUST REMAIN WITHIN DIMENSIONS	MATERIAL NO.		NOTE 9 SHT 1				
		SIZE		THIS DRAWING CONTAINS INFORMATION THAT IS PROPRIETARY TO MOLEX INCORPORATED AND SHOULD NOT BE USED WITHOUT WRITTEN PERMISSION				

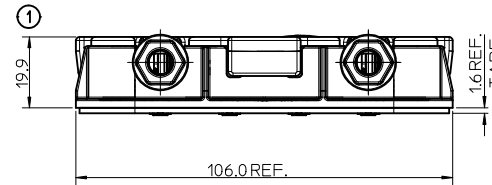
ITEM	DESCRIPTION	QTY	SHEETS
1	PANEL ASSEMBLY	1	2,4 & 5
2	COVER ASSEMBLY	1	3,4 & 5



TAPE VERSION



SUGGESTION FOR LAMINATE CUT-OUT
& RIBBON POSITIONS
(CUSTOMER CAN DECIDE BASED ON CAPABILITY)

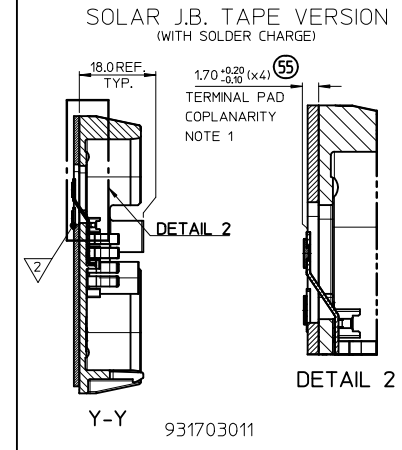
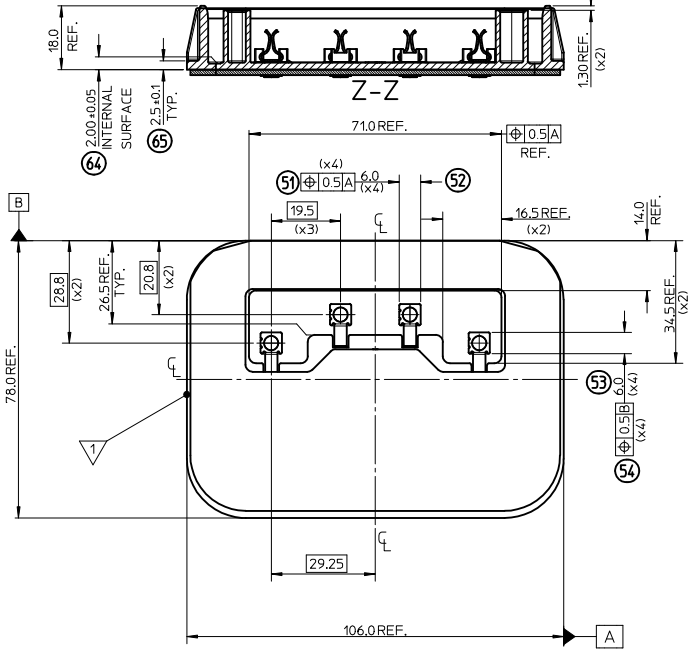
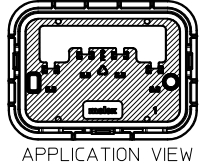
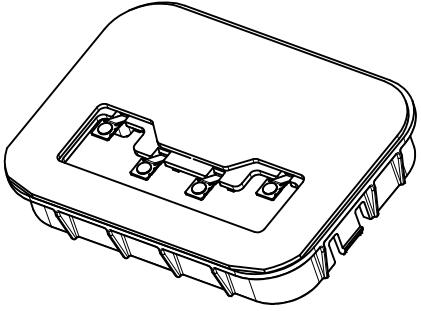
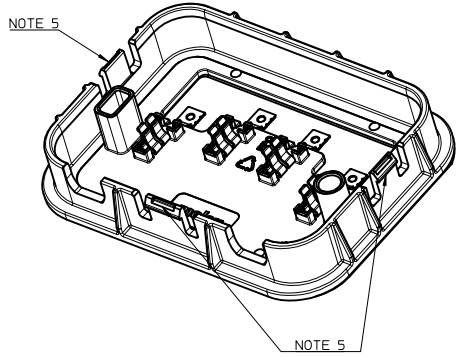


NOTES:

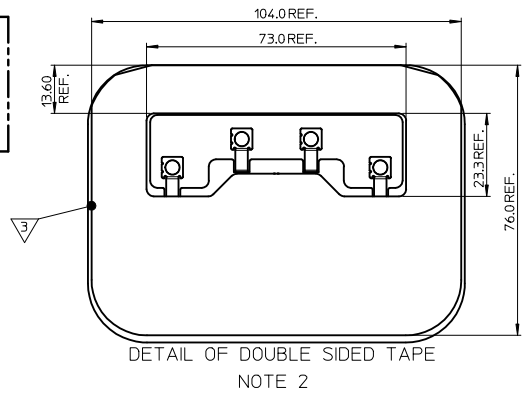
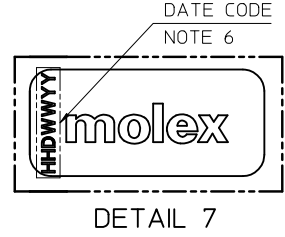
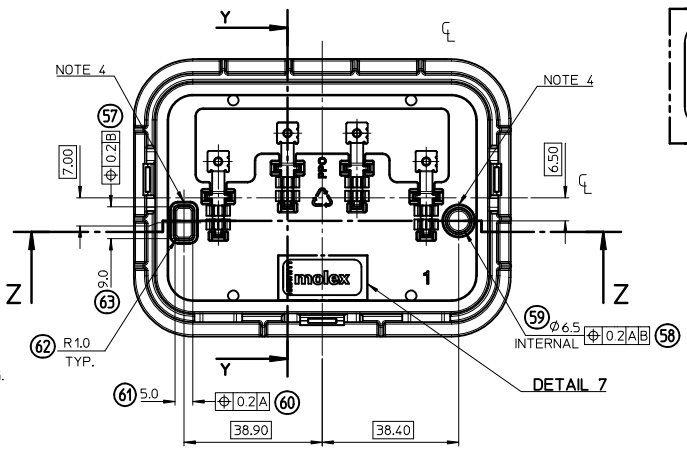
1. HOUSING MATERIAL: PPO. COLOUR BLACK
2. TERMINAL MATERIALS: COPPER ALLOY
3. TERMINAL PLATING: Ag AND Ni
4. IP RATING: 65
5. WITHSTAND VOLTAGE: 1000V
6. CURRENT RATING: 9A
7. TEMPERATURE RANGE: -40°C TO 85°C
8. FOR CURRENT & VOLTAGE RATINGS SEE PRODUCT SPECIFICATION: PS-93170-001

INSPECTION NUMBERS RESERVED FOR SHEET 1: 1-50
LAST INSPECTION NUMBER USED: 1

ORIGINAL RELEASE EC NO: E2011-0260 DRWN: MSHANAHAN 2010/05/25 CHKD: APPR: EFOLAN 2011/02/08	QUALITY SYMBOLS ▽=0 ▽=0	GENERAL TOLERANCES (UNLESS SPECIFIED)		DIMENSION STYLE MM ONLY		SCALE 1:1	DESIGN UNITS METRIC	THIRD ANGLE PROJECTION
		4 PLACES ± --- ± --- 3 PLACES ± --- ± --- 2 PLACES ± 0.10 ± --- 1 PLACE ± 0.2 ± --- ANGULAR ± 2 °	mm INCH ± --- ± --- ± 0.10 ± --- ± 0.2 ± ---	DRAWN BY MSHANAHAN	DATE 2010/05/25	TITLE JUNCTION BOX (1 DIODE) FOR P.V. SOLAR PANEL SOLARSPEC (TM)		MOLEX INCORPORATED
DESCRIPTION A	DRAFT WHERE APPLICABLE MUST REMAIN WITHIN DIMENSIONS		APPROVED BY EFOLAN	DATE 2011/02/08	MATERIAL NO. SHTS 2,3, 4 & 5		DOCUMENT NO. SD-93170-010	SHEET NO. 1 OF 5
	THIS DRAWING CONTAINS INFORMATION THAT IS PROPRIETARY TO MOLEX INCORPORATED AND SHOULD NOT BE USED WITHOUT WRITTEN PERMISSION							

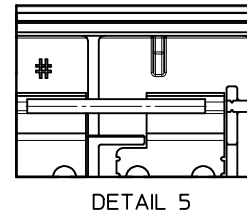
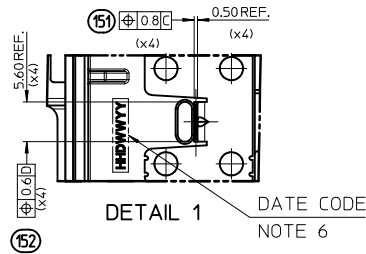
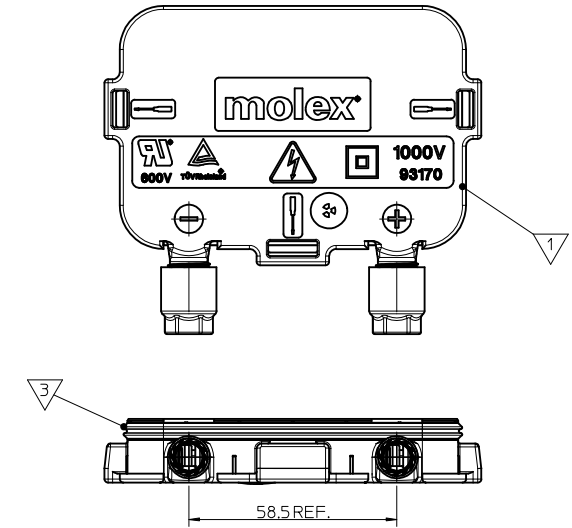
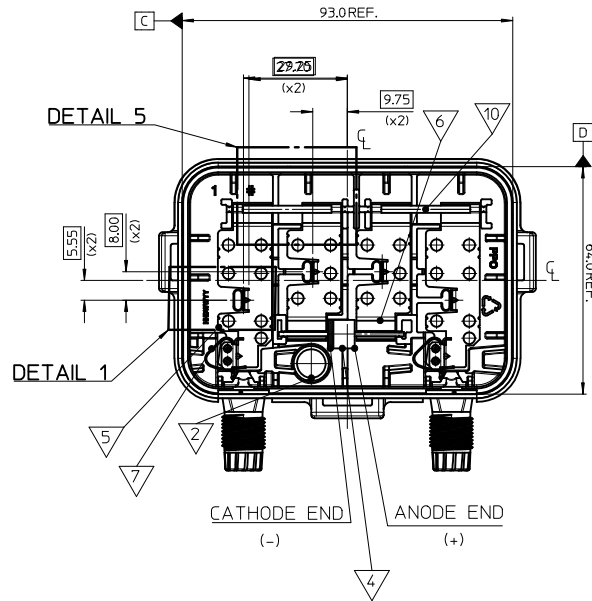
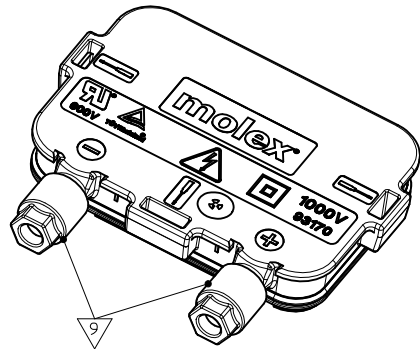
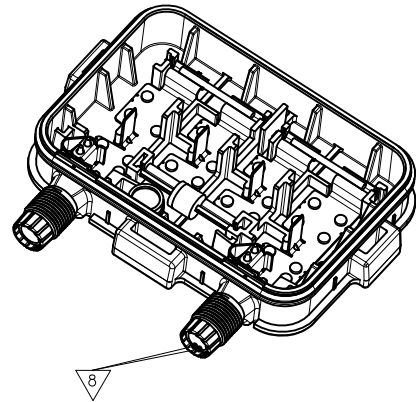


ITEM	DESCRIPTION	QTY
▽	HOUSING	1
▽	PANEL TERM W/ SLDR CHARGE	4
▽	DOUBLE-SIDED TAPE	1



- NOTES:
- PANEL ASSEMBLY TERMINALS COME WITH SOLDER CHARGE ALL TERMINALS MEASURED BY DISTANCE FROM TERMINAL PAD TO HOUSING. TERMINAL PAD SHOULD BE BELOW LEVEL OF DOUBLE SIDED TAPE. SOLDER CHARGE PRE-TREATED WITH FLUX.
 - DOUBLE-SIDED TAPE FOR ADHESION TO PANEL. WINDOW FOR TERMINALS WILL BE CLOSED WITH EXISTING CARRIER TAPE.
 - APPLY 10-15N/cm² (15-22psi) PRESSURE TO ENSURE CORRECT ADHESION. PRESSURE TO BE APPLIED TO INNER SURFACE OF PANEL HOUSING (SEE HATCHED AREA IN APPLICATION VIEW).
 - ALIGNMENT FEATURES FOR GUIDING APPLICATION TOOLING (PRESS TOOL AND SOLDERING TOOL).
 - LATCHES FOR RETENTION OF COVER ASSEMBLY.
 - PANEL ASSEMBLY PARTS MARKED WITH DATE CODE AS SHOWN. AT TIME OF MANUFACTURE. SEE SHEET 5 FOR DETAILS.
- INSPECTION NUMBERS RESERVED FOR SHEET 2: 51-100
LAST INSPECTION NUMBER USED: 66

SEE SHEET 1 EC NO: E2011-0260 DRAWN: MSHANAHAN 2010/05/25 CHKD: EFOLAN APPR: EFOLAN 2011/02/08 REV: A	QUALITY SYMBOLS ▽=0 ▽=0	GENERAL TOLERANCES (UNLESS SPECIFIED)		DIMENSION STYLE MM ONLY		SCALE 1:1	DESIGN UNITS METRIC	THIRD ANGLE PROJECTION		
		4 PLACES ± --- ± ---	3 PLACES ± --- ± ---	2 PLACES ± 0.10 ± ---	1 PLACE ± 0.2 ± ---	DRAWN BY MSHANAHAN	DATE 2010/05/25	TITLE JUNCTION BOX (1 DIODE) FOR P.V. SOLAR PANEL SOLARSPEC (TM)		
		ANGULAR ± 2 °				APPROVED BY EFOLAN	DATE 2011/02/08	MOLEX INCORPORATED		
		DRAFT WHERE APPLICABLE MUST REMAIN WITHIN DIMENSIONS		MATERIAL NO. 931703011		DOCUMENT NO. SD-93170-010		SHEET NO. 2 OF 5		
THIS DRAWING CONTAINS INFORMATION THAT IS PROPRIETARY TO MOLEX INCORPORATED AND SHOULD NOT BE USED WITHOUT WRITTEN PERMISSION										



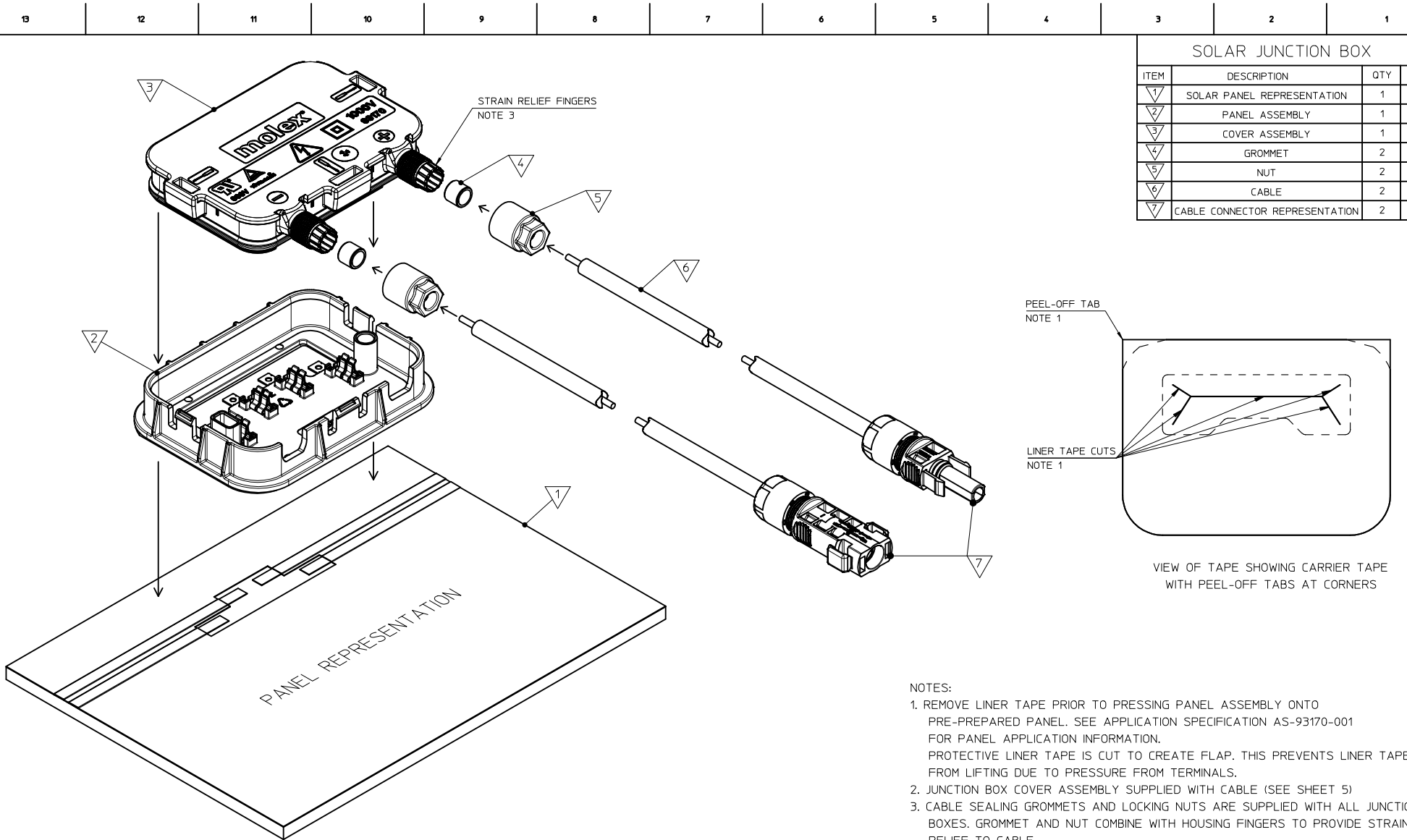
NOTES:

1. SEPARATE COVER ASSEMBLY FROM BASE BY OPENING RETENTION CLIPS WITH SCREWDRIVER.
2. PRESSURE EQUALISATION AND BREATHABILITY VENT.
3. SILICONE SEAL: SHORE HARDNESS: 30A
4. DIODES SOLDERED TO TERMINALS TO GIVE BEST HEAT REMOVAL PERFORMANCE.
5. TERMINALS HEAT STAKED INTO HOUSING. LARGE SURFACE AREA FOR HEAT DISSIPATION.
6. COVER ASSEMBLY PARTS MARKED WITH DATE CODE AS SHOWN, AT TIME OF MANUFACTURE. SEE SHEET 5 FOR DETAILS
7. BRIDGE WIRE: 4mm² Sn PLATED SOLID COPPER WIRE

INSPECTION NUMBERS RESERVED FOR SHEET 3: 151-200
LAST INSPECTION NUMBER USED: 153

931704025			
ITEM	DESCRIPTION	QTY	NOTE
1	COVER HOUSING	1	1
2	BREATHABLE VENT	1	2
3	SILICONE SEAL	1	3
4	DIODE	1	4
5	TERMINAL (OUTER)	2	5
6	TERMINAL (CENTRE)	2	5
7	CABLE SPRING CLAMP	2	
8	SILICONE GROMMET	2	
9	M12 NUT	2	
10	BRIDGE WIRE	2	7

SEE SHEET 1 EC NO: E2011-0260 DRAWN: MSHANAHAN 2010/05/25 CHKD: APPR: EFOLAN 2011/02/08 REV A	QUALITY SYMBOLS ▽=0 ▽=0	GENERAL TOLERANCES (UNLESS SPECIFIED) <table border="1"> <tr> <th></th> <th>mm</th> <th>INCH</th> </tr> <tr> <td>4 PLACES</td> <td>± ---</td> <td>± ---</td> </tr> <tr> <td>3 PLACES</td> <td>± ---</td> <td>± ---</td> </tr> <tr> <td>2 PLACES</td> <td>± 0.10</td> <td>± ---</td> </tr> <tr> <td>1 PLACE</td> <td>± 0.2</td> <td>± ---</td> </tr> <tr> <td colspan="3">ANGULAR ± 2 °</td> </tr> </table>		mm	INCH	4 PLACES	± ---	± ---	3 PLACES	± ---	± ---	2 PLACES	± 0.10	± ---	1 PLACE	± 0.2	± ---	ANGULAR ± 2 °			DIMENSION STYLE MM ONLY	SCALE 1:1	DESIGN UNITS METRIC	THIRD ANGLE PROJECTION
		mm	INCH																					
	4 PLACES	± ---	± ---																					
	3 PLACES	± ---	± ---																					
2 PLACES	± 0.10	± ---																						
1 PLACE	± 0.2	± ---																						
ANGULAR ± 2 °																								
DRAWN BY MSHANAHAN DATE 2010/05/25 CHECKED BY DATE		APPROVED BY EFOLAN DATE 2011/02/08		TITLE JUNCTION BOX (1 DIODE) FOR P.V. SOLAR PANEL SOLARSPEC (TM)		MOLEX INCORPORATED																		
MATERIAL NO. 931704025		DOCUMENT NO. SD-93170-010		SHEET NO. 3 OF 5																				
DRAFT WHERE APPLICABLE MUST REMAIN WITHIN DIMENSIONS																								
THIS DRAWING CONTAINS INFORMATION THAT IS PROPRIETARY TO MOLEX INCORPORATED AND SHOULD NOT BE USED WITHOUT WRITTEN PERMISSION																								

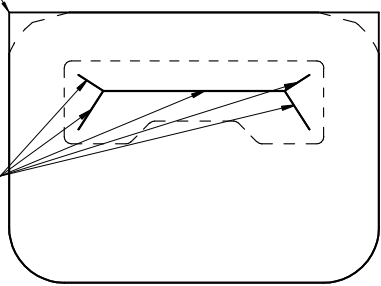


SOLAR JUNCTION BOX

ITEM	DESCRIPTION	QTY	NOTE
1	SOLAR PANEL REPRESENTATION	1	
2	PANEL ASSEMBLY	1	
3	COVER ASSEMBLY	1	
4	GROMMET	2	3
5	NUT	2	3
6	CABLE	2	2
7	CABLE CONNECTOR REPRESENTATION	2	4

PEEL-OFF TAB
NOTE 1

LINER TAPE CUTS
NOTE 1



VIEW OF TAPE SHOWING CARRIER TAPE WITH PEEL-OFF TABS AT CORNERS

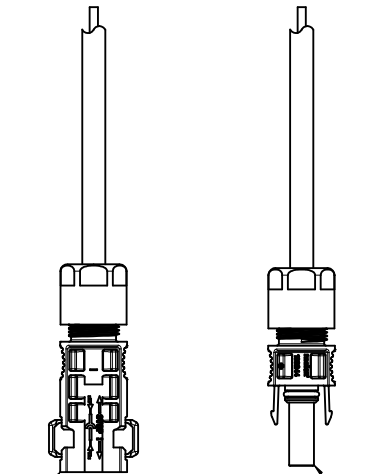
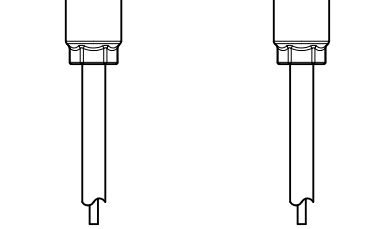
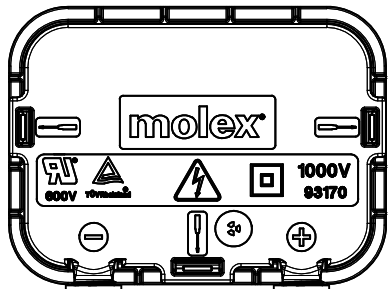
NOTES:

1. REMOVE LINER TAPE PRIOR TO PRESSING PANEL ASSEMBLY ONTO PRE-PREPARED PANEL. SEE APPLICATION SPECIFICATION AS-93170-001 FOR PANEL APPLICATION INFORMATION. PROTECTIVE LINER TAPE IS CUT TO CREATE FLAP. THIS PREVENTS LINER TAPE FROM LIFTING DUE TO PRESSURE FROM TERMINALS.
2. JUNCTION BOX COVER ASSEMBLY SUPPLIED WITH CABLE (SEE SHEET 5)
3. CABLE SEALING GROMMETS AND LOCKING NUTS ARE SUPPLIED WITH ALL JUNCTION BOXES. GROMMET AND NUT COMBINE WITH HOUSING FINGERS TO PROVIDE STRAIN RELIEF TO CABLE.
4. DIAGRAM MAY NOT BE REPRESENTATIVE OF ACTUAL CABLE CONNECTORS.

SEE SHEET 1 EC NO: E2011-0260 DRW: MSHANAHAN 2010/05/25 CHK: CHIKO APPR: EFOLAN 2011/02/08	QUALITY SYMBOLS	GENERAL TOLERANCES (UNLESS SPECIFIED)	DIMENSION STYLE	SCALE	DESIGN UNITS	THIRD ANGLE PROJECTION
	▽=0 ▽=0	mm INCH 4 PLACES ± --- ± --- 3 PLACES ± --- ± --- 2 PLACES ± 0.10 ± --- 1 PLACE ± 0.2 ± --- ANGULAR ± 2 °	MM ONLY	1:1	METRIC	
	DESCRIPTION	DRAWN BY DATE	TITLE	JUNCTION BOX (1 DIODE) FOR P.V. SOLAR PANEL SOLARSPEC (TM)		
	DRAFT WHERE APPLICABLE MUST REMAIN WITHIN DIMENSIONS	CHECKED BY DATE	APPROVED BY DATE EFOLAN 2011/02/08	MOLEX INCORPORATED MATERIAL NO. SHEET 5 DOCUMENT NO. SD-93170-010 SHEET NO. 4 OF 5		

FULL ASSEMBLY	TAPE	SOLDER CHARGE Y/N
931707611	TESA	Y
931707711	TESA	Y

BASE ASSEMBLY: 93170-3011
 TOP COVER ASSEMBLY WITH YAMAICHI CABLES: 93170-4026
 TOP COVER ASSEMBLY WITH BIZLINK CABLES WITH MOLEX DC: 93170-4027

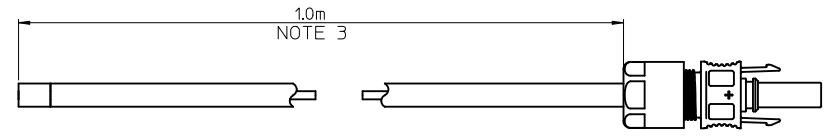
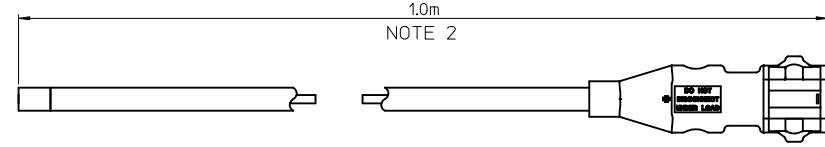


NEGATIVE CONNECTOR

POSITIVE CONNECTOR



HOUR (1-24)
 DAY (MONDAY = 1)
 WEEK (1-52)
 YEAR
 DATE CODE
 NOTE 1

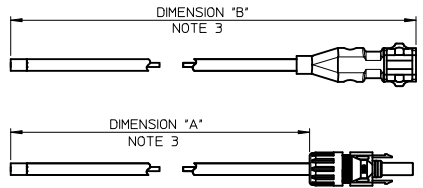


- NOTES:
- DATE CODE LASER MARKED ON ALL SUB-ASSEMBLIES. SEE SHEETS 2 & 4 FOR POSITION DETAILS.
 - CABLE TYPE: LEONI BETAFLAM (224803) 12 AWG (4mm²) YAMAICHI
 - CABLE TYPE: BIZLINK (TY-2100) 12 AWG (4mm²) MOLEX DC

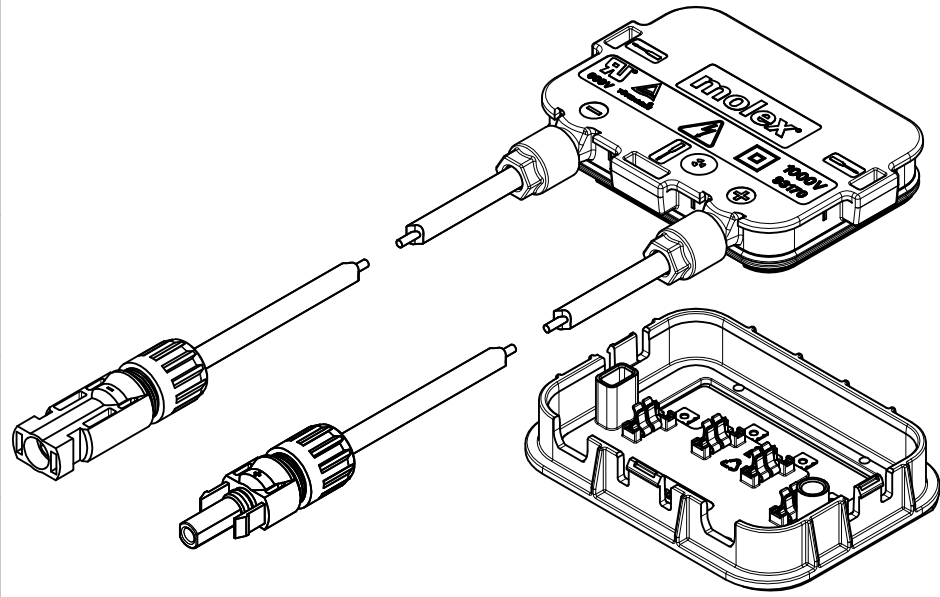
SEE SHEET 1 EC NO: E2011-0260 DRW: MSHANAHAN 2010/05/25 CHKD: APPR: EFOLAN 2011/02/08 REV: A	QUALITY SYMBOLS	GENERAL TOLERANCES (UNLESS SPECIFIED)	DIMENSION STYLE MM ONLY	SCALE 1:1	DESIGN UNITS METRIC	THIRD ANGLE PROJECTION																
	$\nabla=0$ $\nabla=0$	<table border="1"> <thead> <tr> <th></th> <th>mm</th> <th>INCH</th> </tr> </thead> <tbody> <tr> <td>4 PLACES</td> <td>± ---</td> <td>± ---</td> </tr> <tr> <td>3 PLACES</td> <td>± ---</td> <td>± ---</td> </tr> <tr> <td>2 PLACES</td> <td>± 0.10</td> <td>± ---</td> </tr> <tr> <td>1 PLACE</td> <td>± 0.2</td> <td>± ---</td> </tr> </tbody> </table> ANGULAR ± 2 °		mm	INCH	4 PLACES	± ---	± ---	3 PLACES	± ---	± ---	2 PLACES	± 0.10	± ---	1 PLACE	± 0.2	± ---	DRAWN BY: MSHANAHAN DATE: 2010/05/25 CHECKED BY: DATE: APPROVED BY: EFOLAN DATE: 2011/02/08 MATERIAL NO.: DOCUMENT NO.:	TITLE	JUNCTION BOX (1 DIODE) FOR P.V. SOLAR PANEL SOLARSPEC (TM)		
		mm	INCH																			
	4 PLACES	± ---	± ---																			
3 PLACES	± ---	± ---																				
2 PLACES	± 0.10	± ---																				
1 PLACE	± 0.2	± ---																				
DRAFT WHERE APPLICABLE MUST REMAIN WITHIN DIMENSIONS		SEE CHART SIZE: A2 THIS DRAWING CONTAINS INFORMATION THAT IS PROPRIETARY TO MOLEX INCORPORATED AND SHOULD NOT BE USED WITHOUT WRITTEN PERMISSION		MOLEX INCORPORATED SD-93170-010		SHEET NO. 5 OF 5																
THIS DRAWING CONTAINS INFORMATION THAT IS PROPRIETARY TO MOLEX INCORPORATED AND SHOULD NOT BE USED WITHOUT WRITTEN PERMISSION																						

FULL ASSEMBLY	PANEL ASSEMBLY	COVER ASSEMBLY	SILICONE/ TAPE	SOLDER CHARGE (Y/N)	CABLE TYPE	CABLE APPROVALS	CABLE LENGTH (NOTE3)	CABLE MEASUREMENT TYPE	CONNECTOR TYPE
931705100	931703000	931704001	SILICONE	N	LEONI BETAFLAM (224780) 12AWG (4mm ²)	TUV/UL	0.9m	A	MC4
931705101	931703001	931704001	SILICONE	Y	LEONI BETAFLAM (224780) 12AWG (4mm ²)	TUV/UL	0.9m	A	MC4
931705200	931703000	931704002	SILICONE	N	MC FLEX-SOL XL 12AWG (4mm ²)	TUV	1.0m	B	MC4
931705201	931703001	931704002	SILICONE	Y	MC FLEX-SOL XL 12AWG (4mm ²)	TUV	1.0m	B	MC4
931705300	931703000	931704003	SILICONE	N	MC FLEX-SOL XL 12AWG (4mm ²)	TUV	1.5m	B	MC4
931705301	931703001	931704003	SILICONE	Y	MC FLEX-SOL XL 12AWG (4mm ²)	TUV	1.5m	B	MC4
931705110	931703010	931704001	TAPE	N	LEONI BETAFLAM (224780) 12AWG (4mm ²)	TUV/UL	0.9m	A	MC4
931705111	931703011	931704001	TAPE	Y	LEONI BETAFLAM (224780) 12AWG (4mm ²)	TUV/UL	0.9m	A	MC4
931705210	931703010	931704002	TAPE	N	MC FLEX-SOL XL 12AWG (4mm ²)	TUV	1.0m	B	MC4
931705211	931703011	931704002	TAPE	Y	MC FLEX-SOL XL 12AWG (4mm ²)	TUV	1.0m	B	MC4
931705310	931703010	931704003	TAPE	N	MC FLEX-SOL XL 12AWG (4mm ²)	TUV	1.5m	B	MC4
931705311	931703011	931704003	TAPE	Y	MC FLEX-SOL XL 12AWG (4mm ²)	TUV	1.5m	B	MC4
931705411	931703011	931704004	TAPE	Y	LEONI BETAFLAM (224803) 12AWG (4mm ²) (YAMAICHI)	TUV	1.0m	B	Y-SOL4
931705511	931703011	931704005	TAPE	Y	LEONI BETAFLAM (224803) 12AWG (4mm ²) (YAMAICHI)	TUV	1.5m	B	Y-SOL4
931705611	931703011	931704006	TAPE	Y	LEONI BETAFLAM (224780) 12AWG (4mm ²)	TUV/UL	1.0m	A	MC4

CABLE LENGTH



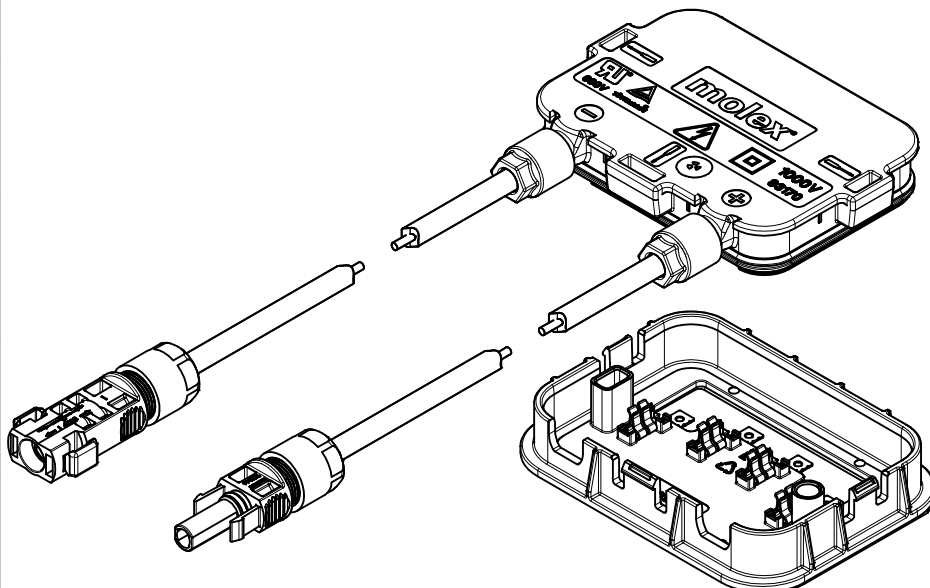
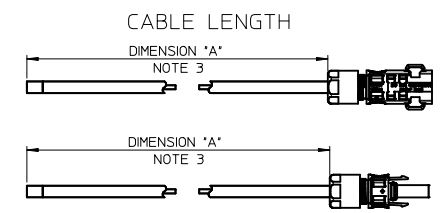
- NOTES:
- PART NUMBERS SHOWN ARE FOR FULL ASSEMBLIES.
 - PACKAGING:
 - PANEL ASSEMBLY: TRAYS
 - COVER ASSEMBLY: IN BOXES
 - SEE PACKAGING SPECIFICATION: PK-93170-001
 - ASSEMBLIES COME WITH 1 POSITIVE AND 1 NEGATIVE CABLE ATTACHED. CABLE LENGTH IS FOR OVERALL LENGTH OF CABLE AND MAY INCLUDE LENGTH OF ATTACHED CONNECTOR. SEE CHART FOR DETAILS. DIMENSION "A" DOES NOT INCLUDE THE LENGTH OF THE CONNECTOR. DIMENSION "B" INCLUDES THE LENGTH OF THE CONNECTOR.
 - FOR CABLE OPTIONS NOT SPECIFIED PLEASE CONTACT YOUR MOLEX SALES ENGINEER FOR ASSISTANCE.
 - FOR ASSEMBLY OF CABLES SEE APPLICATION SPECIFICATION AS-93170-001.
 - CABLE OUTER DIAMETER RANGE SUPPORTED: 5.8mm - 7.1mm



CHANGED CABLE DESCRIPTION EC NO: E2011-0011 DRAWN: DSHEA 2010/07/07 CHKD: 2010/08/30 APPR: EFOLAN 2010/08/30	QUALITY SYMBOLS ▽=0 ▽=0	GENERAL TOLERANCES (UNLESS SPECIFIED) <table border="1"> <tr> <th></th> <th>mm</th> <th>INCH</th> </tr> <tr> <td>4 PLACES</td> <td>± ---</td> <td>± ---</td> </tr> <tr> <td>3 PLACES</td> <td>± ---</td> <td>± ---</td> </tr> <tr> <td>2 PLACES</td> <td>± ---</td> <td>± ---</td> </tr> <tr> <td>1 PLACE</td> <td>± ---</td> <td>± ---</td> </tr> </table>		mm	INCH	4 PLACES	± ---	± ---	3 PLACES	± ---	± ---	2 PLACES	± ---	± ---	1 PLACE	± ---	± ---	DIMENSION STYLE MM ONLY	SCALE 1:1	DESIGN UNITS METRIC	THIRD ANGLE PROJECTION
		mm	INCH																		
	4 PLACES	± ---	± ---																		
	3 PLACES	± ---	± ---																		
2 PLACES	± ---	± ---																			
1 PLACE	± ---	± ---																			
DESCRIPTION MATERIAL NO.	DRAWN BY SMCGREEVY	DATE 2010/02/26	TITLE SOLAR JUNCTION BOX PART NUMBERS W/ CABLE SOLARSPEC (TM) 93170	APPROVED BY EFOLAN	DATE 2010/03/31	MOLEX INCORPORATED															
DRAFT WHERE APPLICABLE MUST REMAIN WITHIN DIMENSIONS	SEE CHART	DOCUMENT NO. SD-93170-050	SHEET NO. 1 OF 1	THIS DRAWING CONTAINS INFORMATION THAT IS PROPRIETARY TO MOLEX INCORPORATED AND SHOULD NOT BE USED WITHOUT WRITTEN PERMISSION																	

PART NUMBERS WITH MOLEX DC CONNECTOR (SILICONE)

FULL ASSEMBLY	PANEL ASSEMBLY	COVER ASSEMBLY	SILICONE/ TAPE	SOLDER CHARGE (Y/N)	CABLE TYPE	CABLE APPROVALS	CABLE LENGTH (NOTE 3)	CABLE MEASUREMENT TYPE	CONNECTOR TYPE
931705700	931703000	931704007	SILICONE	N	LEONI BETAFLAM (224803) 12AWG (4mm ²)	TUV	0.9m	A	MX DC
931705701	931703001	931704007	SILICONE	Y	LEONI BETAFLAM (224803) 12AWG (4mm ²)	TUV	0.9m	A	MX DC
931705800	931703000	931704008	SILICONE	N	LEONI BETAFLAM (224803) 12AWG (4mm ²)	TUV	1.0m	A	MX DC
931705801	931703001	931704008	SILICONE	Y	LEONI BETAFLAM (224803) 12AWG (4mm ²)	TUV	1.0m	A	MX DC
931705900	931703000	931704009	SILICONE	N	LEONI BETAFLAM (224803) 12AWG (4mm ²)	TUV	1.5m	A	MX DC
931705901	931703001	931704009	SILICONE	Y	LEONI BETAFLAM (224803) 12AWG (4mm ²)	TUV	1.5m	A	MX DC
931706000	931703000	931704010	SILICONE	N	LEONI BETAFLAM (224780) 12AWG (4mm ²)	TUV/UL	0.9m	A	MX DC
931706001	931703001	931704010	SILICONE	Y	LEONI BETAFLAM (224780) 12AWG (4mm ²)	TUV/UL	0.9m	A	MX DC
931706100	931703000	931704011	SILICONE	N	LEONI BETAFLAM (224780) 12AWG (4mm ²)	TUV/UL	1.0m	A	MX DC
931706101	931703001	931704011	SILICONE	Y	LEONI BETAFLAM (224780) 12AWG (4mm ²)	TUV/UL	1.0m	A	MX DC
931706200	931703000	931704012	SILICONE	N	LEONI BETAFLAM (224780) 12AWG (4mm ²)	TUV/UL	1.5m	A	MX DC
931706201	931703001	931704012	SILICONE	Y	LEONI BETAFLAM (224780) 12AWG (4mm ²)	TUV/UL	1.5m	A	MX DC
931706300	931703000	931704013	SILICONE	N	BIZLINK PHOTOVOLTAIC CONNECTION (TY-2100) 12AWG (4mm ²)	TUV/UL	0.9m	A	MX DC
931706301	931703001	931704013	SILICONE	Y	BIZLINK PHOTOVOLTAIC CONNECTION (TY-2100) 12AWG (4mm ²)	TUV/UL	0.9m	A	MX DC
931706400	931703000	931704014	SILICONE	N	BIZLINK PHOTOVOLTAIC CONNECTION (TY-2100) 12AWG (4mm ²)	TUV/UL	1.0m	A	MX DC
931706401	931703001	931704014	SILICONE	Y	BIZLINK PHOTOVOLTAIC CONNECTION (TY-2100) 12AWG (4mm ²)	TUV/UL	1.0m	A	MX DC
931706500	931703000	931704015	SILICONE	N	BIZLINK PHOTOVOLTAIC CONNECTION (TY-2100) 12AWG (4mm ²)	TUV/UL	1.5m	A	MX DC
931706501	931703001	931704015	SILICONE	Y	BIZLINK PHOTOVOLTAIC CONNECTION (TY-2100) 12AWG (4mm ²)	TUV/UL	1.5m	A	MX DC



NOTES:

- PART NUMBERS SHOWN ARE FOR FULL ASSEMBLIES.
- PACKAGING:
 - PANEL ASSEMBLY: TRAYS
 - COVER ASSEMBLY: IN BOXES
 - SEE PACKAGING SPECIFICATION: PK-93170-002
- ASSEMBLIES COME WITH 1 POSITIVE AND 1 NEGATIVE CABLE ATTACHED. CABLE LENGTH IS FOR OVERALL LENGTH OF CABLE. SEE CHART FOR DETAILS. DIMENSION "A" DOES NOT INCLUDE THE LENGTH OF THE CONNECTOR.
- FOR CABLE OPTIONS NOT SPECIFIED PLEASE CONTACT YOUR MOLEX SALES ENGINEER FOR ASSISTANCE.
- FOR ASSEMBLY OF CABLES SEE APPLICATION SPECIFICATION AS-93170-001.
- CABLE OUTER DIAMETER RANGE SUPPORTED: 5.8mm - 7.1mm

ORIGINAL RELEASE EC NO: E2011-0180 DRWN: SMC GREEVY 2010/10/14 CHKD: APPR: EFOLAN 2011/01/11 REV A	QUALITY SYMBOLS ▽=0 ▽=0	GENERAL TOLERANCES (UNLESS SPECIFIED) <table border="1"> <tr> <td></td> <td>mm</td> <td>INCH</td> </tr> <tr> <td>4 PLACES</td> <td>± ---</td> <td>± ---</td> </tr> <tr> <td>3 PLACES</td> <td>± ---</td> <td>± ---</td> </tr> <tr> <td>2 PLACES</td> <td>± ---</td> <td>± ---</td> </tr> <tr> <td>1 PLACE</td> <td>± ---</td> <td>± ---</td> </tr> </table> ANGULAR ± 2 °		mm	INCH	4 PLACES	± ---	± ---	3 PLACES	± ---	± ---	2 PLACES	± ---	± ---	1 PLACE	± ---	± ---	DIMENSION STYLE MM ONLY	SCALE 1:1	DESIGN UNITS METRIC	THIRD ANGLE PROJECTION
		mm	INCH																		
	4 PLACES	± ---	± ---																		
	3 PLACES	± ---	± ---																		
2 PLACES	± ---	± ---																			
1 PLACE	± ---	± ---																			
DRAWN BY SMC GREEVY 2010/10/14	DATE 2010/10/14	TITLE SOLAR JUNCTION BOX PART NOS W/ CABLE MXDC SOLARSPEC (TM) 93170																			
CHECKED BY MSHANAHAN 2010/10/15	DATE 2010/10/15	APPROVED BY EFOLAN 2011/01/11	DATE 2011/01/11	MOLEX INCORPORATED																	
MATERIAL NO.	SEE CHART	DOCUMENT NO. SD-93170-051	SHEET NO. 1 OF 2	THIS DRAWING CONTAINS INFORMATION THAT IS PROPRIETARY TO MOLEX INCORPORATED AND SHOULD NOT BE USED WITHOUT WRITTEN PERMISSION																	

PART NUMBERS WITH MOLEX DC CONNECTOR (TAPE)

FULL ASSEMBLY	PANEL ASSEMBLY	COVER ASSEMBLY	SILICONE/ TAPE	SOLDER CHARGE (Y/N)	CABLE TYPE	CABLE APPROVALS	CABLE LENGTH (NOTE3)	CABLE MEASUREMENT TYPE	CONNECTOR TYPE
931705710	931703010	931704007	TAPE	N	LEONI BETAFLAM (224803) 12AWG (4mm ²)	TÜV	0.9m	A	MX DC
931705711	931703011	931704007	TAPE	Y	LEONI BETAFLAM (224803) 12AWG (4mm ²)	TÜV	0.9m	A	MX DC
931705810	931703010	931704008	TAPE	N	LEONI BETAFLAM (224803) 12AWG (4mm ²)	TÜV	1.0m	A	MX DC
931705811	931703011	931704008	TAPE	Y	LEONI BETAFLAM (224803) 12AWG (4mm ²)	TÜV	1.0m	A	MX DC
931705910	931703010	931704009	TAPE	N	LEONI BETAFLAM (224803) 12AWG (4mm ²)	TÜV	1.5m	A	MX DC
931705911	931703011	931704009	TAPE	Y	LEONI BETAFLAM (224803) 12AWG (4mm ²)	TÜV	1.5m	A	MX DC
931706010	931703010	931704010	TAPE	N	LEONI BETAFLAM (224780) 12AWG (4mm ²)	TÜV/UL	0.9m	A	MX DC
931706011	931703011	931704010	TAPE	Y	LEONI BETAFLAM (224780) 12AWG (4mm ²)	TÜV/UL	0.9m	A	MX DC
931706110	931703010	931704011	TAPE	N	LEONI BETAFLAM (224780) 12AWG (4mm ²)	TÜV/UL	1.0m	A	MX DC
931706111	931703011	931704011	TAPE	Y	LEONI BETAFLAM (224780) 12AWG (4mm ²)	TÜV/UL	1.0m	A	MX DC
931706210	931703010	931704012	TAPE	N	LEONI BETAFLAM (224780) 12AWG (4mm ²)	TÜV/UL	1.5m	A	MX DC
931706211	931703011	931704012	TAPE	Y	LEONI BETAFLAM (224780) 12AWG (4mm ²)	TÜV/UL	1.5m	A	MX DC
931706310	931703010	931704013	TAPE	N	BIZLINK PHOTOVOLTAIC CONNECTION (TY-2100) 12AWG (4mm ²)	TÜV/UL	0.9m	A	MX DC
931706311	931703011	931704013	TAPE	Y	BIZLINK PHOTOVOLTAIC CONNECTION (TY-2100) 12AWG (4mm ²)	TÜV/UL	0.9m	A	MX DC
931706410	931703010	931704014	TAPE	N	BIZLINK PHOTOVOLTAIC CONNECTION (TY-2100) 12AWG (4mm ²)	TÜV/UL	1.0m	A	MX DC
931706411	931703011	931704014	TAPE	Y	BIZLINK PHOTOVOLTAIC CONNECTION (TY-2100) 12AWG (4mm ²)	TÜV/UL	1.0m	A	MX DC
931706510	931703010	931704015	TAPE	N	BIZLINK PHOTOVOLTAIC CONNECTION (TY-2100) 12AWG (4mm ²)	TÜV/UL	1.5m	A	MX DC
931706511	931703011	931704015	TAPE	Y	BIZLINK PHOTOVOLTAIC CONNECTION (TY-2100) 12AWG (4mm ²)	TÜV/UL	1.5m	A	MX DC

SEE SHEET 1 EC NO: E2011-0180 DRAWN: SMC GREEVY 2010/10/14 CHKD: EFOLAN APPR: EFOLAN 2011/01/11 REV: A	QUALITY SYMBOLS ▽=0 ▽=0	GENERAL TOLERANCES (UNLESS SPECIFIED) <table border="1"> <tr><th></th><th>mm</th><th>INCH</th></tr> <tr><td>4 PLACES</td><td>± .005</td><td>± .0004</td></tr> <tr><td>3 PLACES</td><td>± .005</td><td>± .0004</td></tr> <tr><td>2 PLACES</td><td>± .005</td><td>± .0004</td></tr> <tr><td>1 PLACE</td><td>± .005</td><td>± .0004</td></tr> </table> ANGULAR ± 2 °		mm	INCH	4 PLACES	± .005	± .0004	3 PLACES	± .005	± .0004	2 PLACES	± .005	± .0004	1 PLACE	± .005	± .0004	DIMENSION STYLE MM ONLY	SCALE 1:1	DESIGN UNITS METRIC	THIRD ANGLE PROJECTION
		mm	INCH																		
	4 PLACES	± .005	± .0004																		
	3 PLACES	± .005	± .0004																		
2 PLACES	± .005	± .0004																			
1 PLACE	± .005	± .0004																			
DRAWN BY SMC GREEVY 2010/10/14	DATE 2010/10/14	TITLE SOLAR JUNCTION BOX PART NOS W/ CABLE MXDC SOLARSPEC (TM) 93170																			
CHECKED BY MSHANAHAN 2010/10/15	DATE 2010/10/15	MOLEX INCORPORATED																			
APPROVED BY EFOLAN 2011/01/11	DATE 2011/01/11	MATERIAL NO. SHEET 1	DOCUMENT NO. SD-93170-051	SHEET NO. 2 OF 2																	
DRAFT WHERE APPLICABLE MUST REMAIN WITHIN DIMENSIONS		THIS DRAWING CONTAINS INFORMATION THAT IS PROPRIETARY TO MOLEX INCORPORATED AND SHOULD NOT BE USED WITHOUT WRITTEN PERMISSION																			