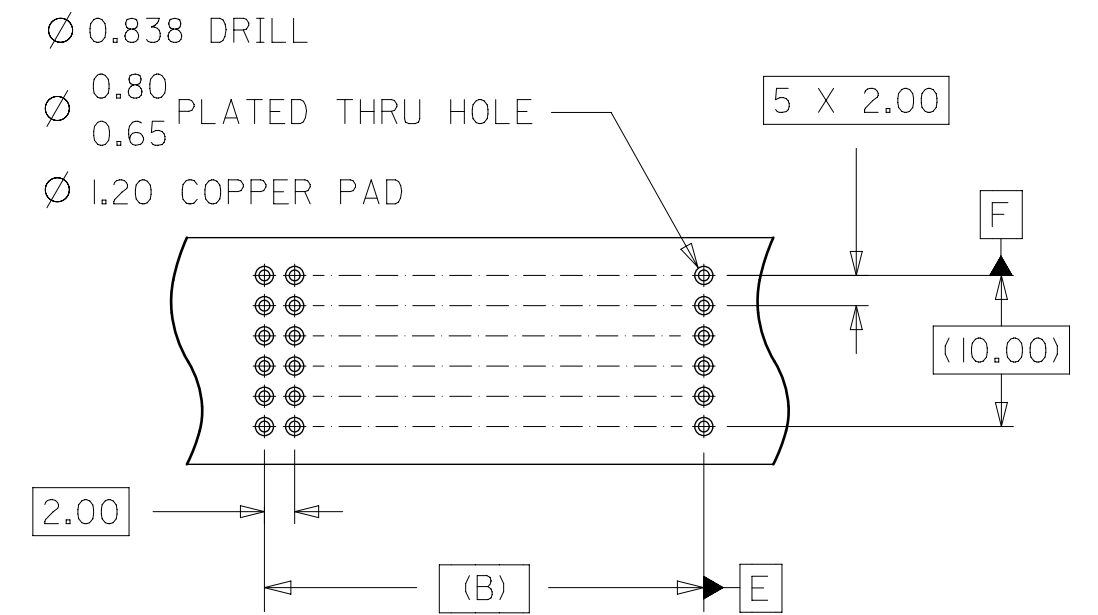
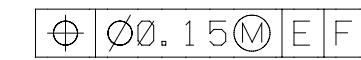
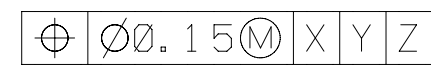
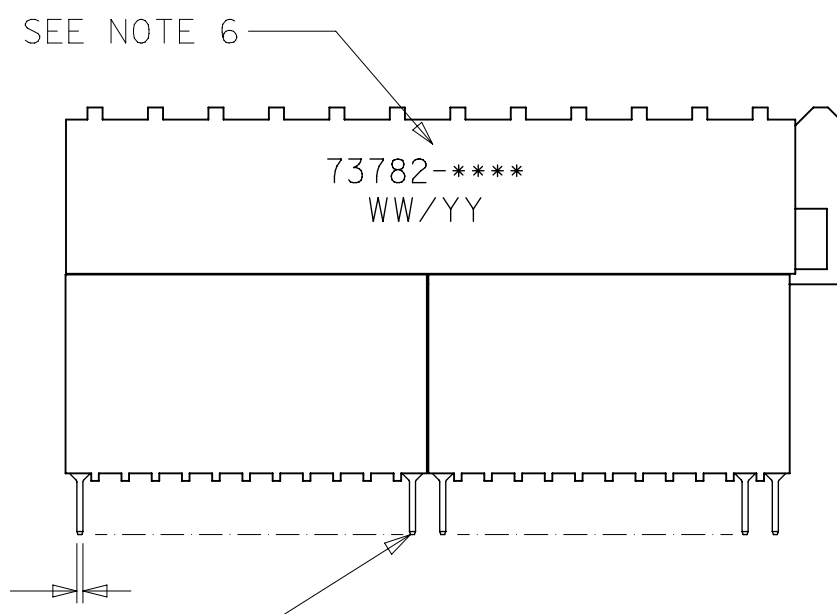
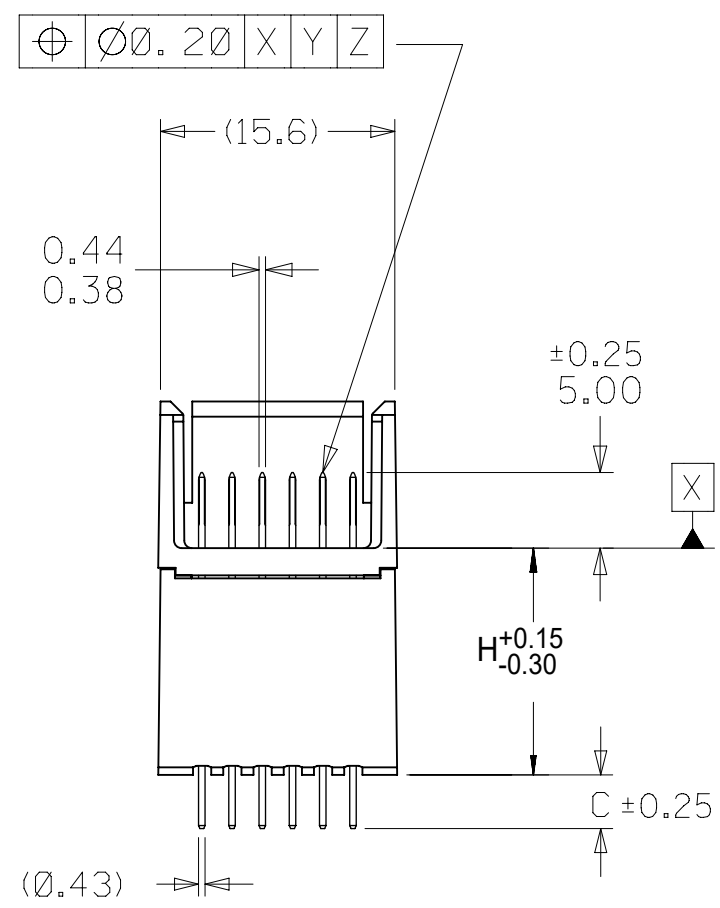
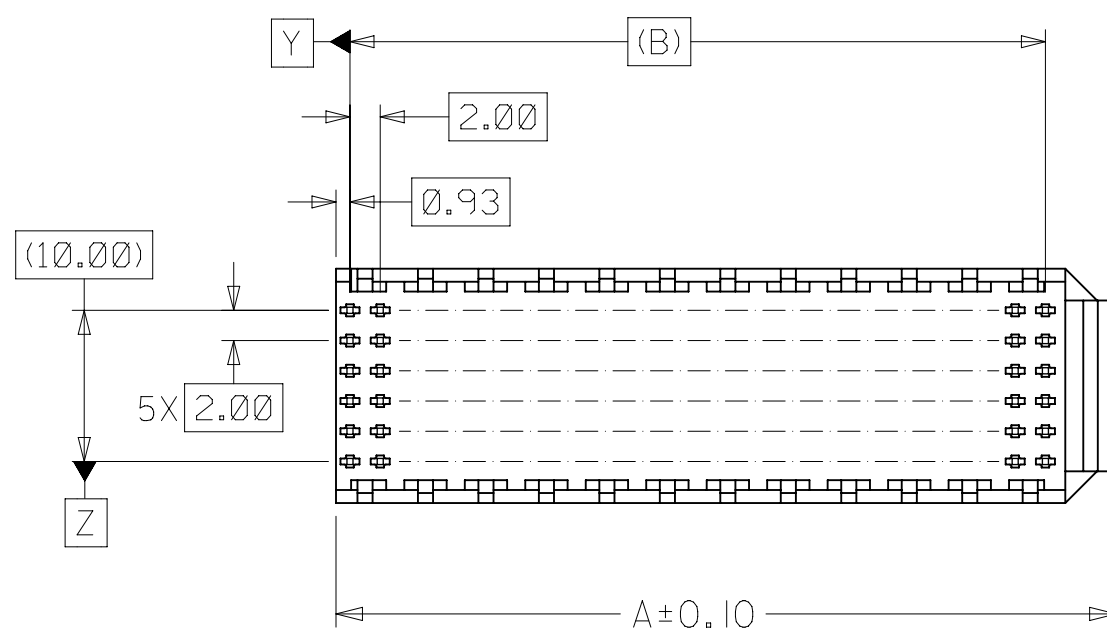


NOTES:

1. MATERIALS: HOUSING-LIQUID CRYSTAL POLYMER (LCP), GLASS-FILLED, UL94V-0, COLOR: BLACK.
TERMINAL-PHOSPHOR BRONZE
2. FINISH:
0.75 MICROMETERS MINIMUM SELECTIVE GOLD IN MATING AREA
2.50 MICROMETERS MINIMUM SELECTIVE TIN IN TAIL AREA
NICKEL UNDERPLATE OVERALL.
3. THIS PART CONFORMS TO MOLEX PRODUCT SPECIFICATION PS-73780-999.
4. THIS PART CONFORMS TO MOLEX COSMETIC SPECIFICATION PS-45499-002 CLASS C.
5. SEE TABLE ON SHEET 2 FOR PACKAGING SPECIFICATION.
6. PARTS MARKED WITH PART NUMBER AND DATE CODE APPROXIMATELY WHERE SHOWN.



BACKPLANE HOLE PATTERN

PRE-RELEASE
REFERENCE
USE ONLY

THIS DRAWING CONTAINS INFORMATION THAT IS PROPRIETARY TO MOLEX ELECTRONIC TECHNOLOGIES, LLC AND SHOULD NOT BE USED WITHOUT WRITTEN PERMISSION															
DIMENSION UNITS		SCALE		CURRENT REV DESC: REMOVED OBSOLETE PART NUMBER AS PER PCN#511698.											
mm		2:1													
GENERAL TOLERANCES (UNLESS SPECIFIED)				EC NO: 742551				SALES ASSEMBLY, HDM BACKPLANE STACKING MOD CLOSED END SOLDER							
				DRWN: SANTHN 2023/03/30											
4 PLACES ±				CHK'D: GGA 2023/05/12				PRODUCT CUSTOMER DRAWING							
3 PLACES ±				APPR: GGA 2023/05/12											
2 PLACES ± 0.05				INITIAL REVISION:				DOCUMENT NUMBER							
1 PLACE ± 0.1				DRWN: JBINGHAM 1997/04/25											
0 PLACES ±				APPR: CBIXLER 1997/04/25				SD-73782-001							
ANGULAR TOL ± 0.5°				THIRD ANGLE PROJECTION		DRAWING		SERIES		MATERIAL NUMBER		CUSTOMER		SHEET NUMBER	
DRAFT WHERE APPLICABLE MUST REMAIN WITHIN DIMENSIONS						C-SIZE		73782		SEE SHEET 2		GENERAL MARKET		1 OF 2	

DOCUMENT STATUS	P1	RELEASE DATE	2023/05/12	06:17:05
-----------------	----	--------------	------------	----------

MATERIAL NUMBER ASSIGNMENT

73782-* * 0 0

NUMBER	CIRCUIT SIZE	DIM "A"	DIM "B"	DIM "C"
0	72	27.6	22.00	2.0
1	144	51.6	46.00	2.0
3	144	51.6	46.00	2.5
4	72	27.6	22.00	3.0
5	144	51.6	46.00	3.0
7	144	51.6	46.00	3.5

NUMBER	DIM "H"	PACKAGING SPECIFICATION
1	15.05	PK-70873-1873
2	6.05	PK-70873-0875
3	10.05	PK-70873-0871

PRE-RELEASE
REFERENCE
USE ONLY

THIS DRAWING CONTAINS INFORMATION THAT IS PROPRIETARY TO MOLEX ELECTRONIC TECHNOLOGIES, LLC AND SHOULD NOT BE USED WITHOUT WRITTEN PERMISSION												
DIMENSION UNITS	SCALE	CURRENT REV DESC: REMOVED OBSOLETE PART NUMBER AS PER PCN#511698.			molex							
mm	1:1	EC NO: 742551 DRWN: SANTHN 2023/03/30 CHK'D: GGA 2023/05/12 APPR: GGA 2023/05/12			SALES ASSEMBLY, HDM BACKPLANE STACKING MOD CLOSED END SOLDER							
GENERAL TOLERANCES (UNLESS SPECIFIED)					PRODUCT CUSTOMER DRAWING							
	MM				INCH	INITIAL REVISION: DRWN: JBINGHAM 1997/04/25 APPR: CBIXLER 1997/04/25			DOCUMENT NUMBER	DOC TYPE	DOC PART	REVISION
4 PLACES	±				±				SD-73782-001	PSD	001	J
3 PLACES	±				±				MATERIAL NUMBER: SEE SHEET 2 CUSTOMER: GENERAL MARKET SHEET NUMBER: 2 OF 2			
2 PLACES	±	0.05 ±										
1 PLACE	±	0.1 ±	THIRD ANGLE PROJECTION		DRAWING	SERIES						
0 PLACES	±	±	DRAFT WHERE APPLICABLE MUST REMAIN WITHIN DIMENSIONS	C-SIZE	73782							

DOCUMENT STATUS	P1	RELEASE DATE	2023/05/12	06:17:05
-----------------	----	--------------	------------	----------