

EMI/EMC FILTER

RoHS

TB4



Features

- 3 phase 4 line, 1 stage filter
- Good shield effect by using metal case
- Excellent filtering characteristics for both differential mode and common mode
- Safety approval : KC(Except for TB4-500*, TB4-600*, TB4-700*), cCSAus, SEMKO+ENEC, CE

Applications

- Battery, ESS equipments
- Electric vehicle charger
- Industrials equipment such as electric car charger, CNC machine, machine tool, telecommunication equipments, FA equipment etc.

Specifications

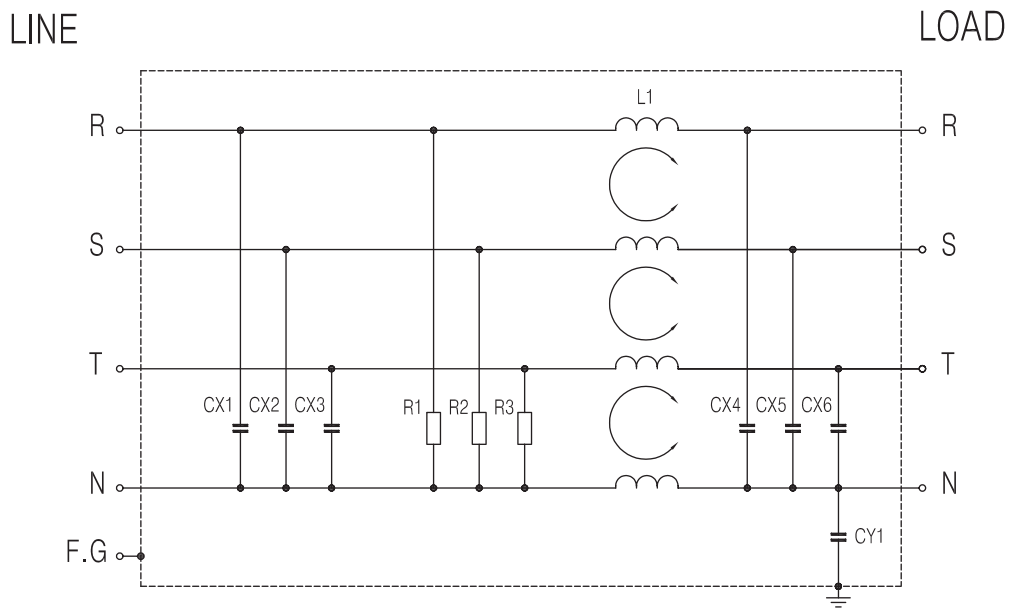
Model	Rated Voltage AC [V]	Rated Current Max. [A]	Operating Temperature
TB4-016G/H	3Φ4W 500V (50/60Hz)	16	-25°C to +100°C Including temperature rise Derating Curve
TB4-020G/H		20	
TB4-030G/H		30	
TB4-040GR/HR		40	
TB4-060GR/HR		60	
TB4-080GR/HR		80	
TB4-100GR/HR		100	
TB4-120GR/HR		120	
TB4-150GR/HR		150	
TB4-200GR/HR		200	
TB4-250GR/HR		250	
TB4-400GR/HR		400	
TB4-500GR/HR		500	
TB4-600GR/HR		600	
TB4-700GR/HR	700		

Note
 Withstand Voltage: 2800V DC for 1 minute between line and ground
 Insulation Resistance: 300MΩ minimum at 500V DC, line to ground

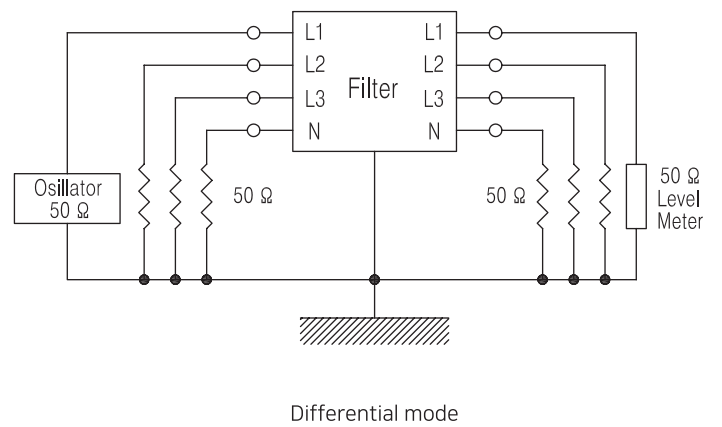
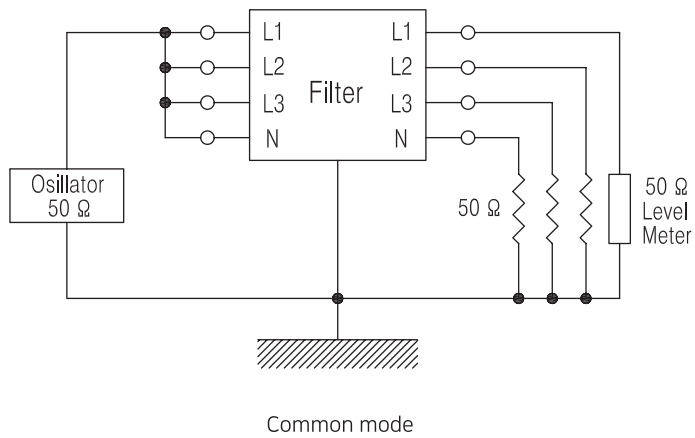
Model Number Construction

TB4	150	H	Suffix
Series name 3 Phase 4 Line, 1 Stage	Rated Current 016 = 16 A 040 = 40 A 100 = 100 A 250 = 250 A 700 = 700 A	Attenuation Option G = General H = High	Line to Ground Capacitor D = 3,300pF F = 10,000pF R = 235nF (Default Value of TB4-016~030*) V = 1.65uF (Default Value of TB4-040~150*) W = 3.3uF (Default Value of TB4-200~250*)

Circuit Diagram

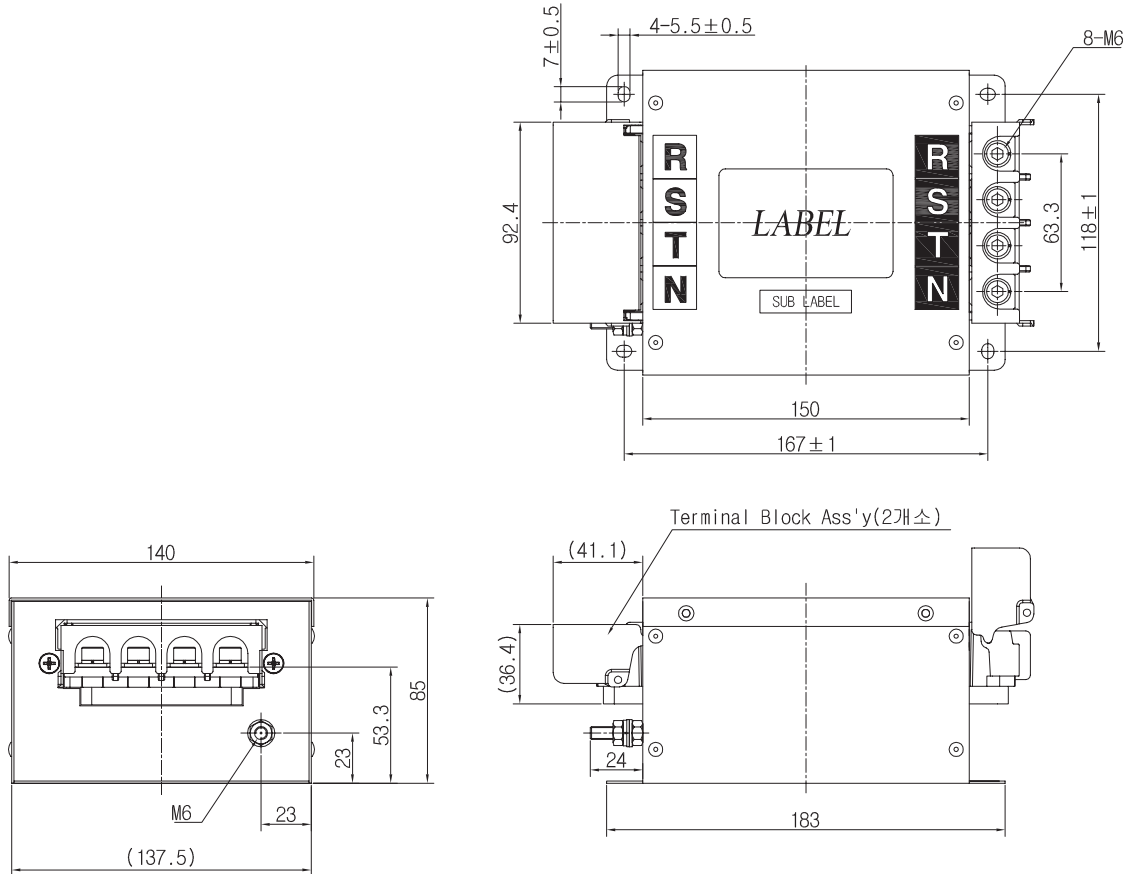


Measurement Configuration

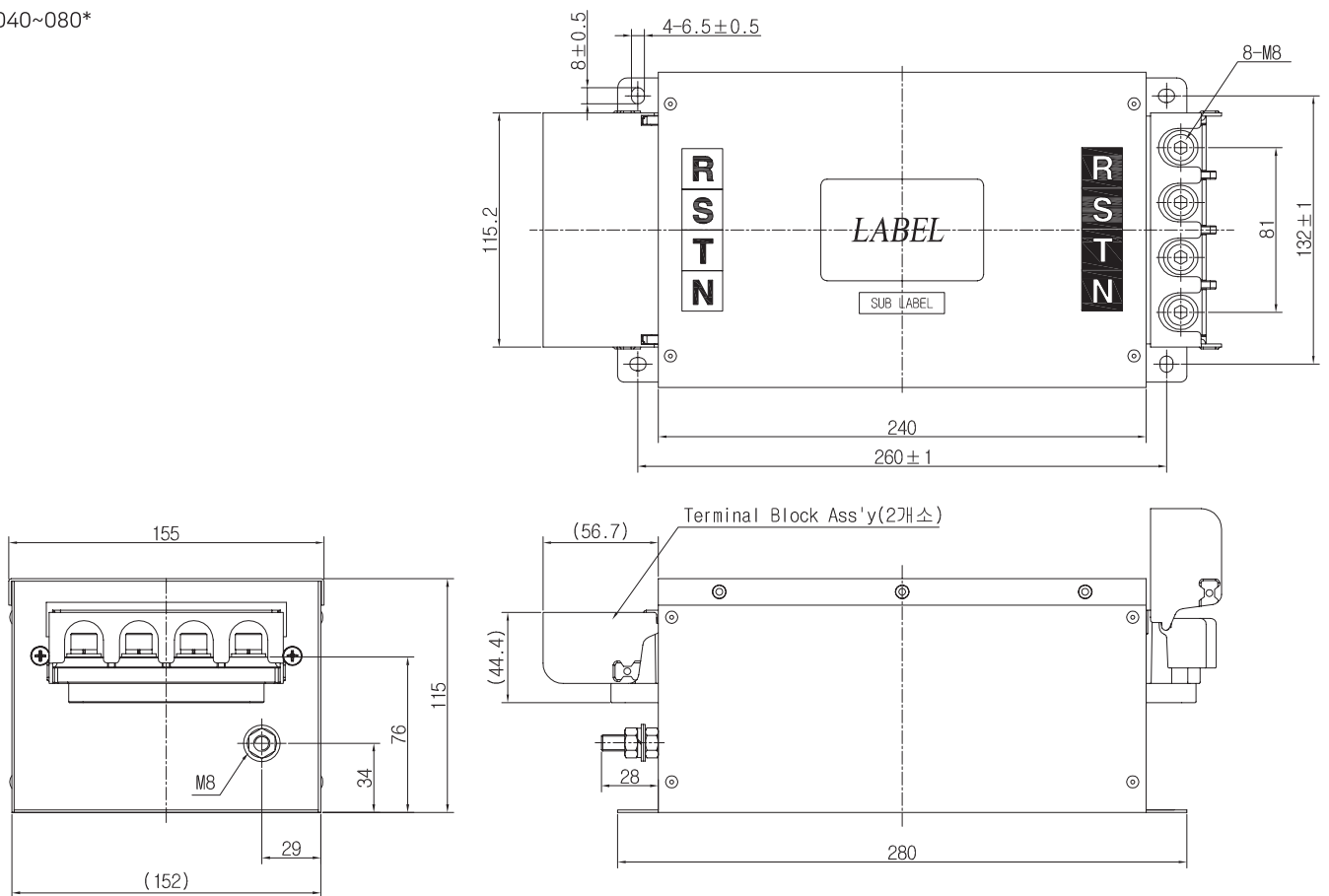


Shapes and Dimensions

TB4-016~030*

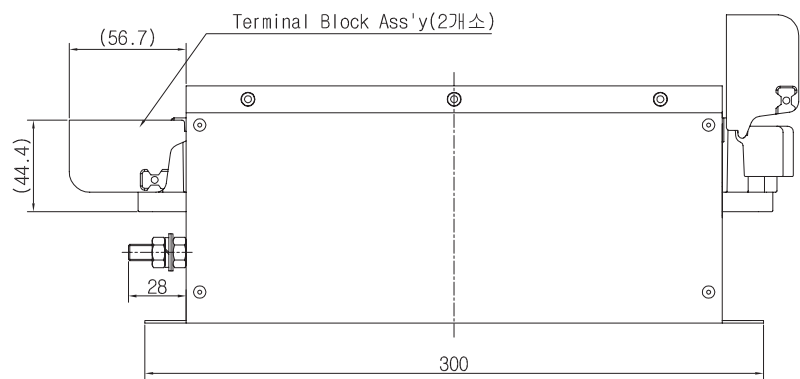
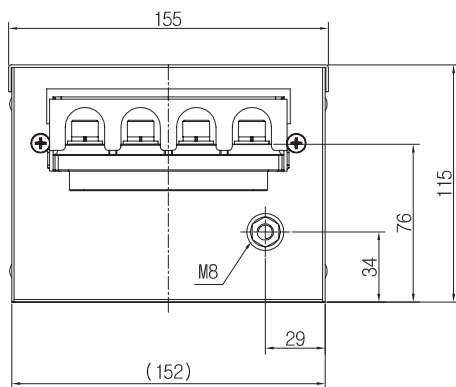
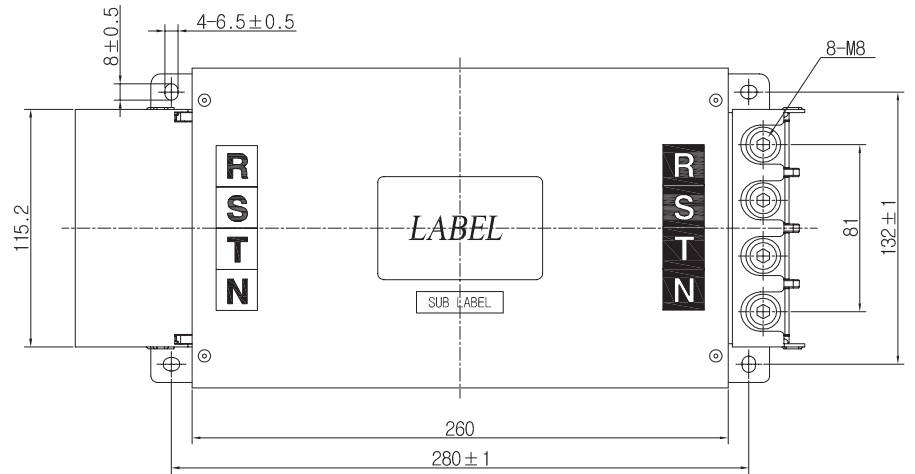


TB4-040~080*

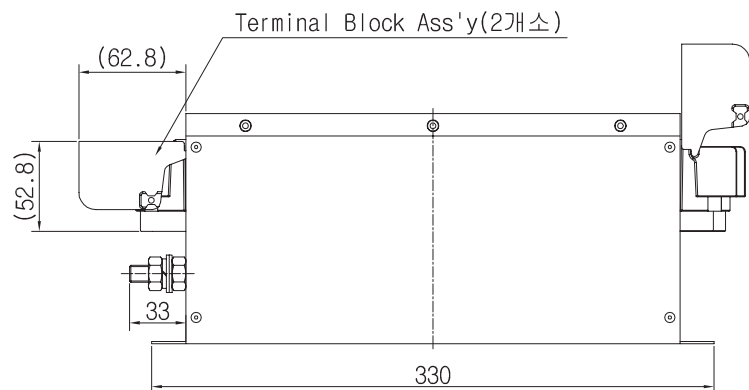
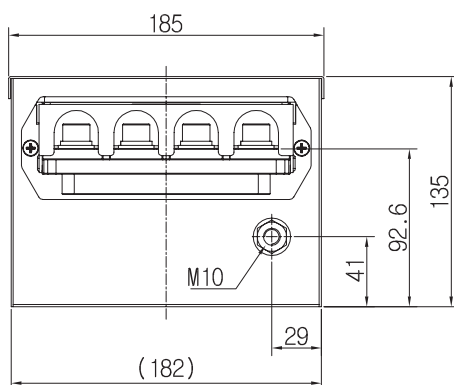
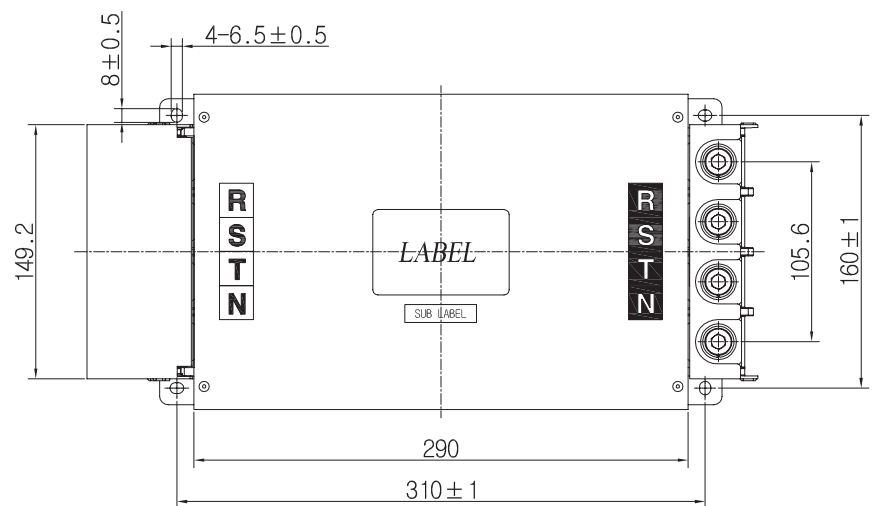


Shapes and Dimensions

TB4-100~150*



TB4-200~250*

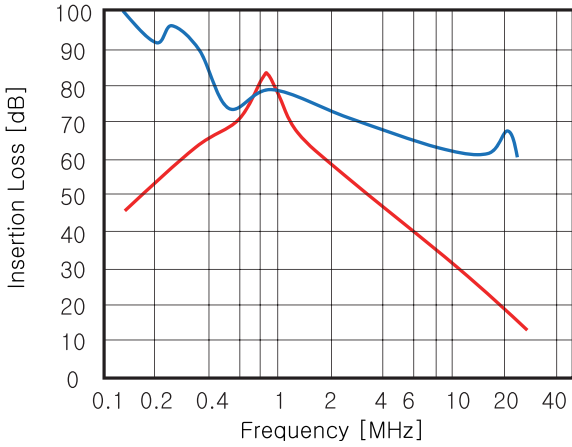


Attenuation Characteristics

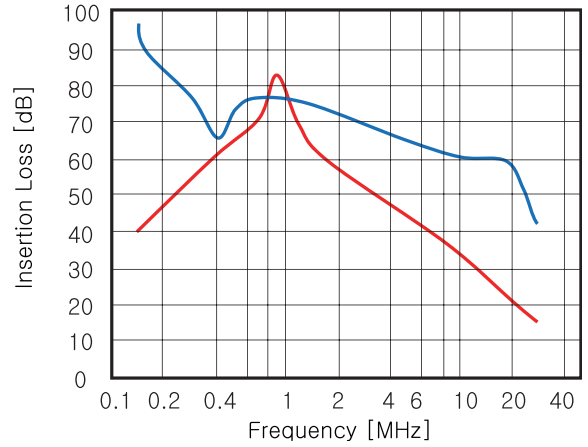
Common mode (—)

Differential mode (—)

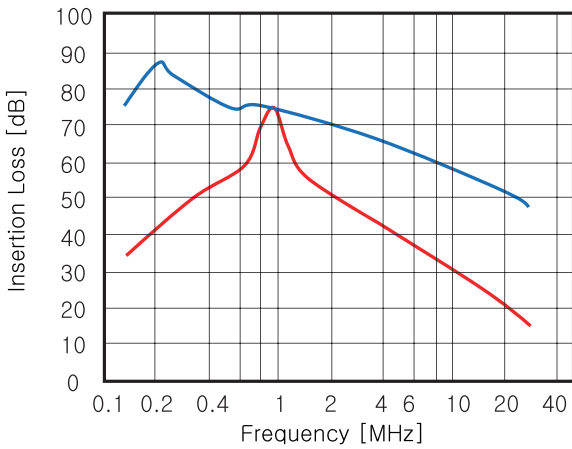
TB4-016G



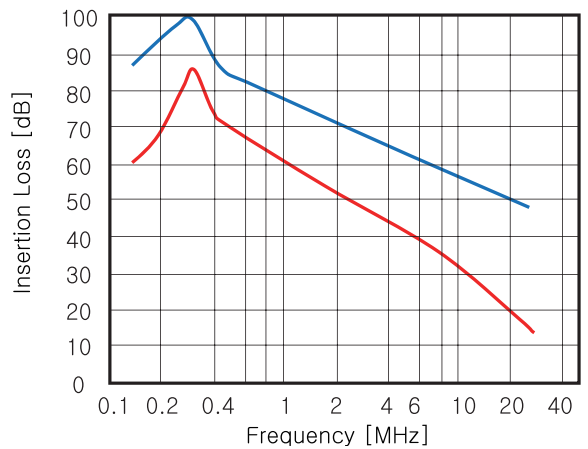
TB4-020G



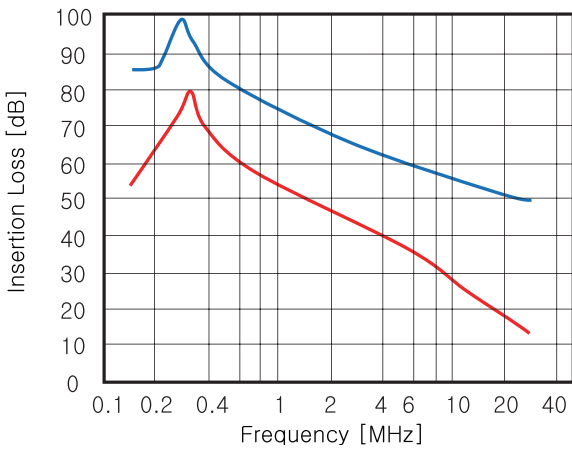
TB4-030G



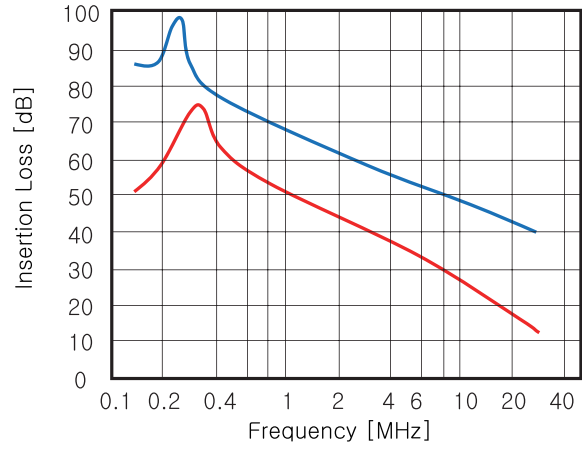
TB4-040GR



TB4-060GR



TB4-080GR

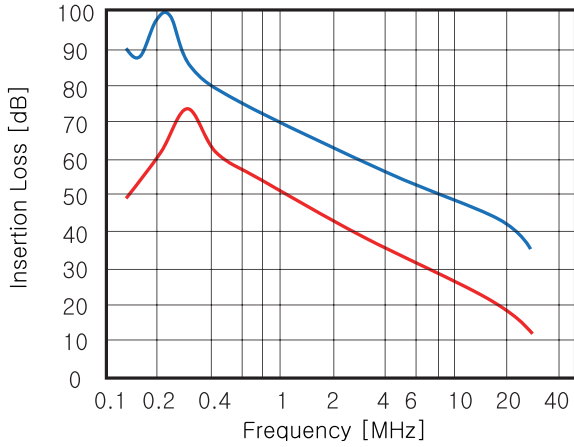


Attenuation Characteristics

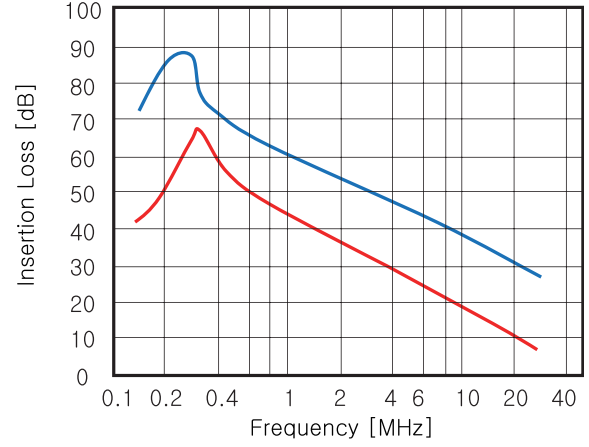
Common mode (—)

Differential mode (—)

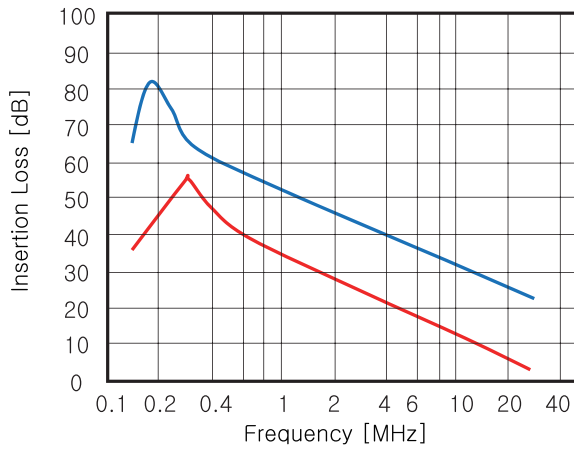
TB4-100GR



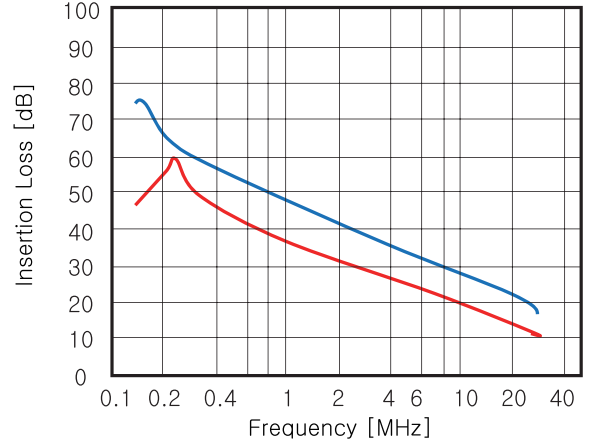
TB4-120GR



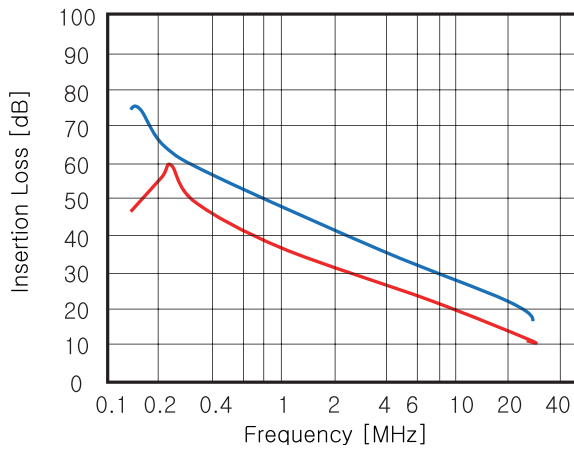
TB4-150GR



TB4-200GR



TB4-250GR

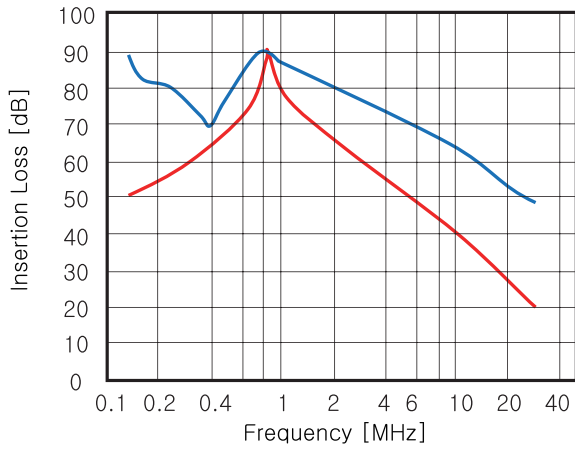


Attenuation Characteristics

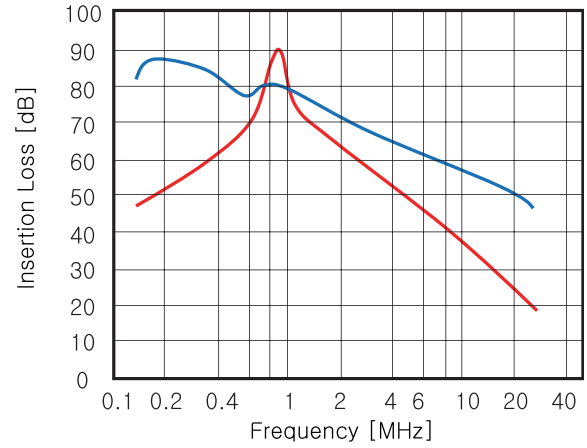
Common mode (—)

Differential mode (—)

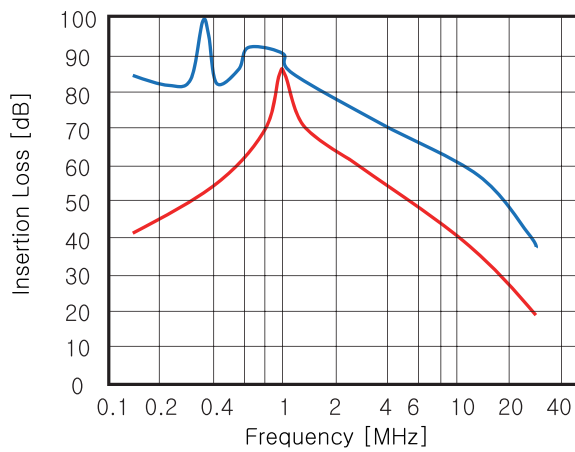
TB4-016H



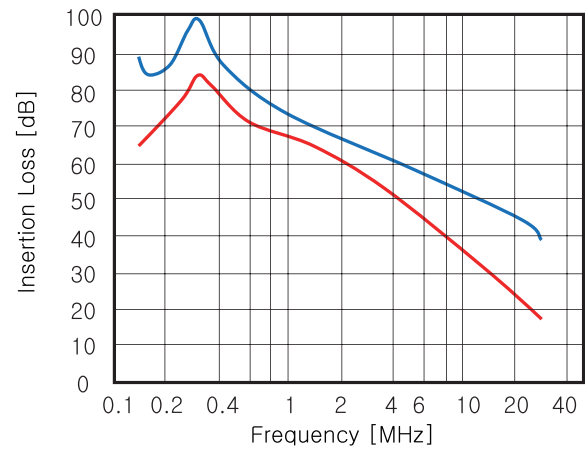
TB4-020H



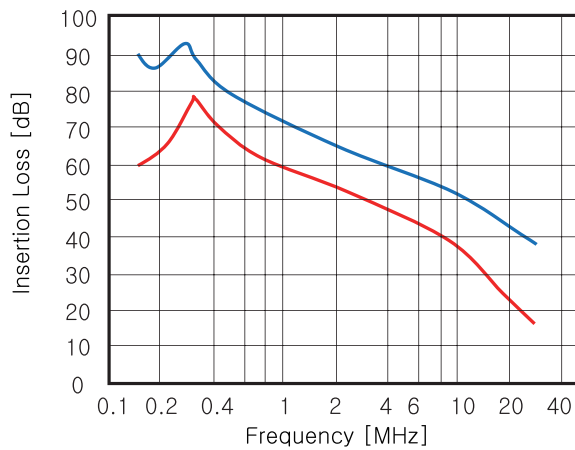
TB4-030H



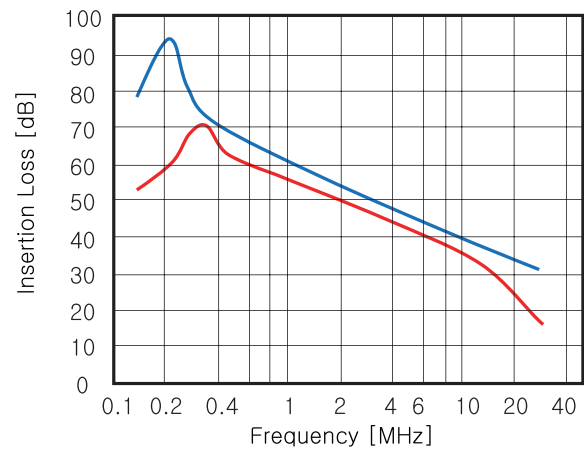
TB4-040HR



TB4-060HR



TB4-080HR

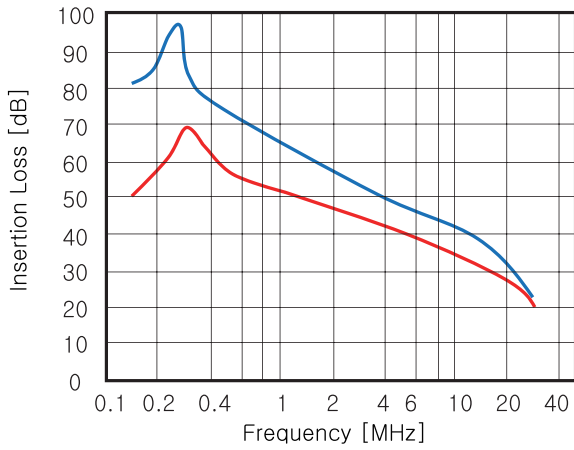


Attenuation Characteristics

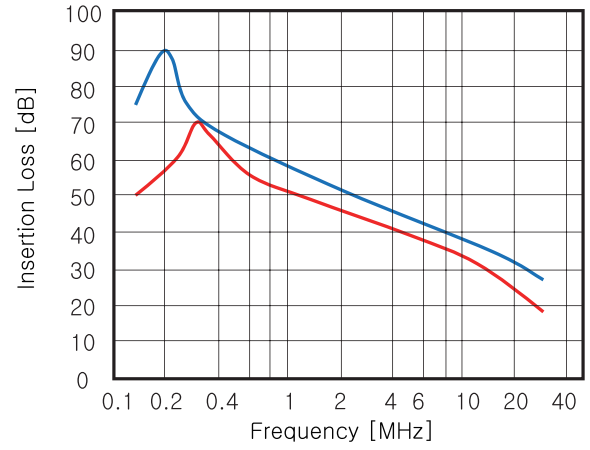
Common mode (—)

Differential mode (—)

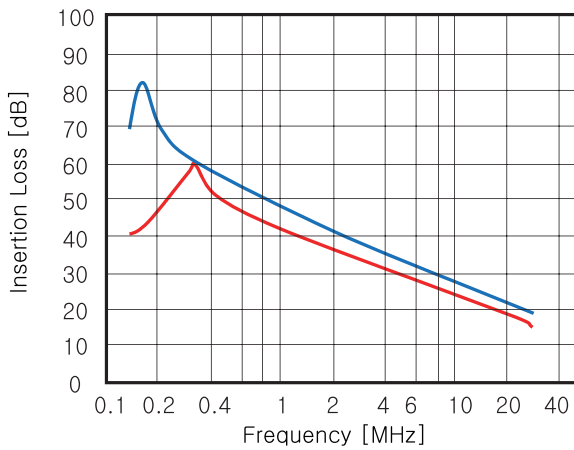
TB4-100HR



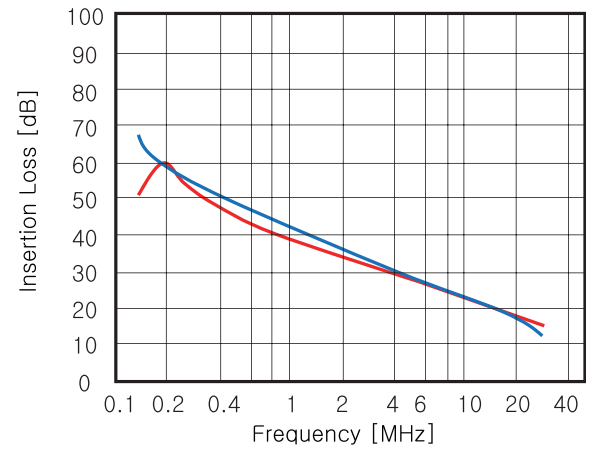
TB4-120HR



TB4-150HR



TB4-200HR



TB4-250HR

