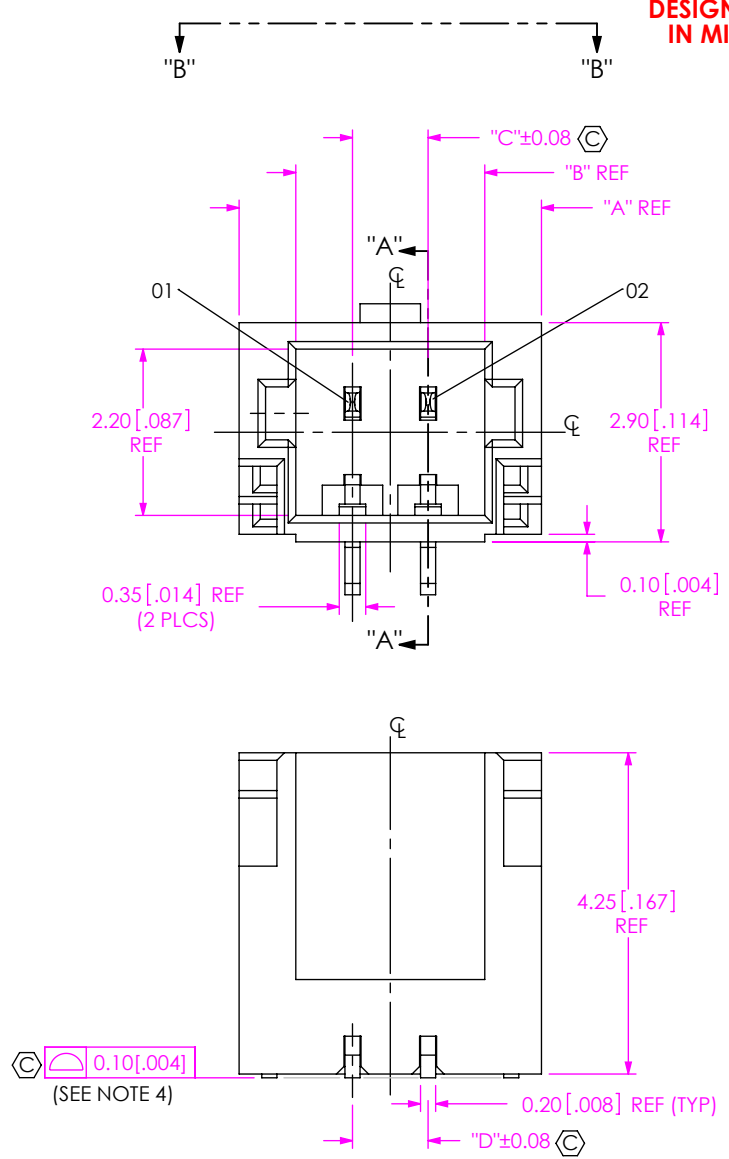


DO NOT SCALE FROM THIS PRINT

DESIGNED & DIMENSIONED IN MILLIMETERS(INCHES)

T1M-XX-XX-S-V-X-TR



**NO OF POSITIONS (PER ROW)**  
 -02, -03, -04, -05, -06, -07, -08, -09, -10, -11, -12, -13, -14, -15, -16, -17, -18, -19 & -20

**PLATING SPECIFICATION**  
 \*-T: TIN PLATING  
 -GF: 3µ" MIN Au/50µ" Ni IN CONTACT AND TAIL  
 -S: 30 µ" SELECTIVE GOLD ON CONTACT, TIN ON TAIL

**ROW SPECIFICATION**  
 -S: SINGLE ROW

**PACKAGING**  
 -TR: TAPE & REEL

**OPTION**  
 -K: POLYIMIDE FILM (USE K-DOT-.157-.250-.005, SEE FIG 3, SHT 3)

**SMT TYPE**  
 -V: VERTICAL

\* = EXISTING CUSTOMERS ONLY

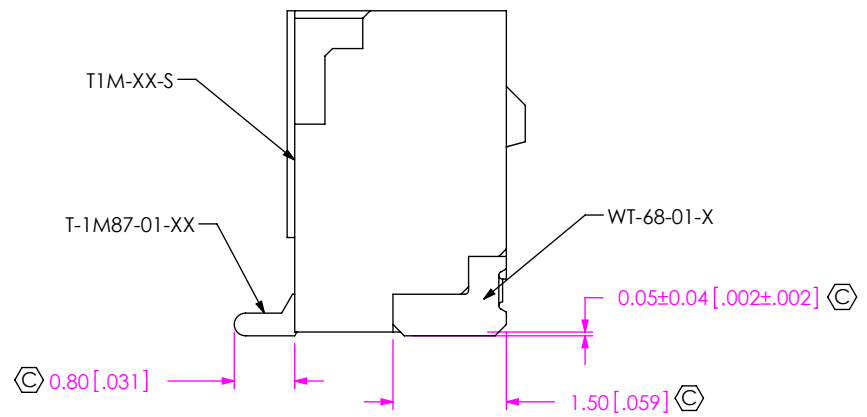
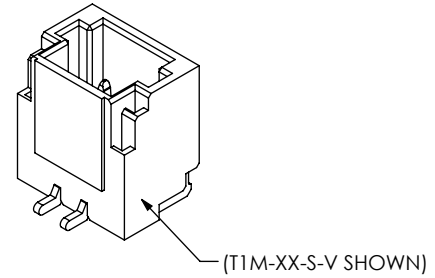


FIG 1 (T1M-02-XX-S-V-TR SHOWN)

- NOTES:
- ⊕ REPRESENTS A CRITICAL DIMENSION.
  - MINIMUM PUSHOUT FORCE: SIGNAL: 2.22N[.5 LB], WELD TAB: 4.90N[1 LB].
  - FOR QUANTITIES UP TO 49 PIECES, NO LEADER, TRAILER, OR REEL WILL BE SUPPLIED.  
 FOR QUANTITIES OF 50-124 PIECES, NO LEADER OR TRAILER WILL BE SUPPLIED.
  - COPLANARITY MEASUREMENT INCLUDES WT'S.

TABLE 1			
SMT TYPE	BODY PART NUMBER	TERMINAL NUMBER	WT PART NUMBER
-V	T1M-XX-S	T-1M87-01-XX	WT-68-01-X

UNLESS OTHERWISE SPECIFIED, DIMENSIONS ARE IN MILLIMETERS.

TOLERANCES ARE:  
 DECIMALS ANGLES  
 X.X: ±0.3 [.01] 2°  
 X.XX: ±0.13 [.005]  
 X.XXX: ±0.051 [.0020]

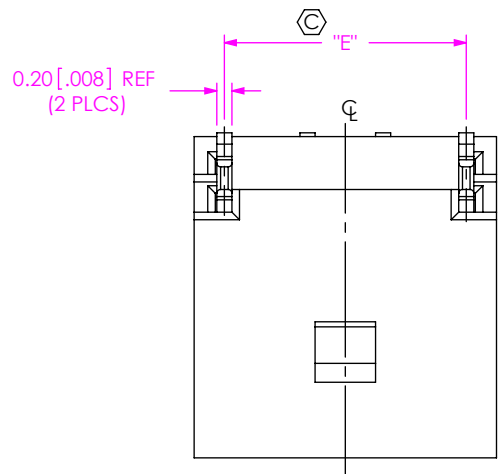
**PROPRIETARY NOTE**  
 THIS DOCUMENT CONTAINS CONFIDENTIAL AND PROPRIETARY INFORMATION AND ALL DESIGN, MANUFACTURING, REPRODUCTION, USE, PATENT RIGHTS AND SALES RIGHTS ARE EXPRESSLY RESERVED BY SAMTEC, INC. THIS DOCUMENT SHALL NOT BE DISCLOSED, IN WHOLE OR PART, TO ANY UNAUTHORIZED PERSON OR ENTITY NOR REPRODUCED, TRANSFERRED OR INCORPORATED IN ANY OTHER PROJECT IN ANY MANNER WITHOUT THE EXPRESS WRITTEN CONSENT OF SAMTEC, INC.



520 PARK EAST BLVD, NEW ALBANY, IN 47150  
 PHONE: 812-944-6733 FAX: 812-948-5047  
 e-Mail: info@SAMTEC.com code 55322

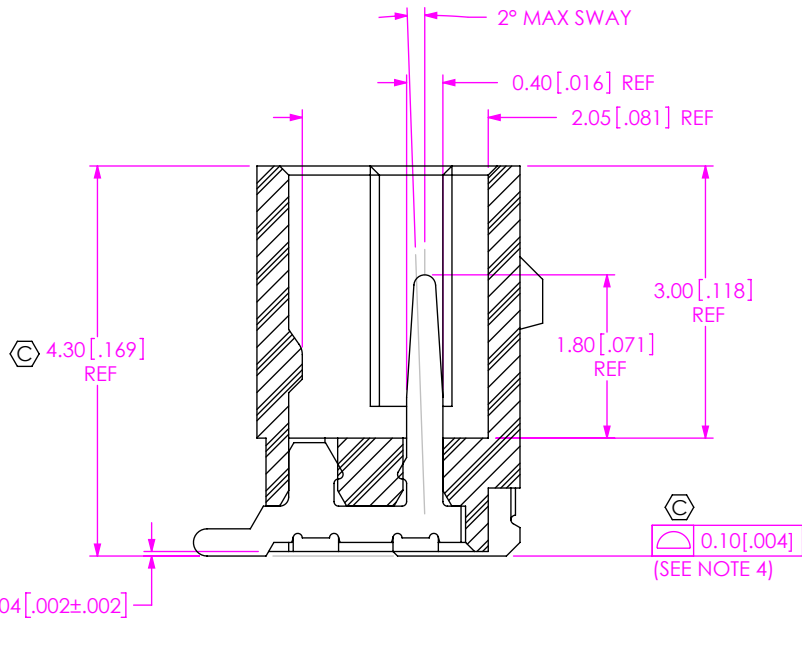
**MATERIAL:** DO NOT SCALE DRAWING SHEET SCALE: 10:1  
 INSULATOR: PPA UL 94-V0, COLOR: BLACK  
 TERMINAL: PHOS BRONZE  
 WELD TAB: PHOS BRONZE

**DESCRIPTION:**  
 1MM TERMINAL STRIP  
 DWG. NO. T1M-XX-XX-S-V-X-TR



SECTION "B"-"B"  
SCALE 10:1

TABLE 2												
No. OF POS	"A"		"B"		"C"		"D"		"E"		"F"	
-02	4.00	[0.157]	2.500	[0.0984]	1.000	[0.0394]	1.000	[0.0394]	3.20	[0.126]	0.01	[0.000]
-03	5.00	[0.197]	3.500	[0.1378]	2.000	[0.0787]	2.000	[0.0787]	4.20	[0.165]	0.51	[0.020]
-04	6.00	[0.236]	4.500	[0.1772]	3.000	[0.1181]	3.000	[0.1181]	5.20	[0.205]	1.01	[0.040]
-05	7.00	[0.276]	5.500	[0.2165]	4.000	[0.1575]	4.000	[0.1575]	6.20	[0.244]	1.51	[0.059]
-06	8.00	[0.315]	6.500	[0.2559]	5.000	[0.1969]	5.000	[0.1969]	7.20	[0.283]	2.01	[0.079]
-07	9.00	[0.354]	7.500	[0.2953]	6.000	[0.2362]	6.000	[0.2362]	8.20	[0.323]	2.51	[0.099]
-08	10.00	[0.394]	8.500	[0.3346]	7.000	[0.2756]	7.000	[0.2756]	9.20	[0.362]	3.01	[0.119]
-09	11.00	[0.433]	9.500	[0.3740]	8.000	[0.3150]	8.000	[0.3150]	10.20	[0.402]	3.51	[0.138]
-10	12.00	[0.472]	10.500	[0.4134]	9.000	[0.3543]	9.000	[0.3543]	11.20	[0.441]	4.01	[0.158]
-11	13.00	[0.512]	11.500	[0.4528]	10.000	[0.3937]	10.000	[0.3937]	12.20	[0.480]	4.51	[0.178]
-12	14.00	[0.551]	12.500	[0.4921]	11.000	[0.4331]	11.000	[0.4331]	13.20	[0.520]	5.01	[0.197]
-13	15.00	[0.591]	13.500	[0.5315]	12.000	[0.4724]	12.000	[0.4724]	14.20	[0.559]	5.51	[0.217]
-14	16.00	[0.630]	14.500	[0.5709]	13.000	[0.5118]	13.000	[0.5118]	15.20	[0.598]	6.01	[0.237]
-15	17.00	[0.669]	15.500	[0.6102]	14.000	[0.5512]	14.000	[0.5512]	16.20	[0.638]	6.51	[0.256]
-16	18.00	[0.709]	16.500	[0.6496]	15.000	[0.5906]	15.000	[0.5906]	17.20	[0.677]	7.01	[0.276]
-17	19.00	[0.748]	17.500	[0.6890]	16.000	[0.6299]	16.000	[0.6299]	18.20	[0.717]	7.51	[0.296]
-18	20.00	[0.787]	18.500	[0.7283]	17.000	[0.6693]	17.000	[0.6693]	19.20	[0.756]	8.01	[0.315]
-19	21.00	[0.827]	19.500	[0.7677]	18.000	[0.7087]	18.000	[0.7087]	20.20	[0.795]	8.51	[0.335]
-20	22.00	[0.866]	20.500	[0.8071]	19.000	[0.7480]	19.000	[0.7480]	21.20	[0.835]	9.01	[0.355]



SECTION "A"-"A"  
SCALE 12:1

F:\DWG\MISC\MKTG\T1M-XX-XX-S-V-X-TR-MKT.SLDDRW

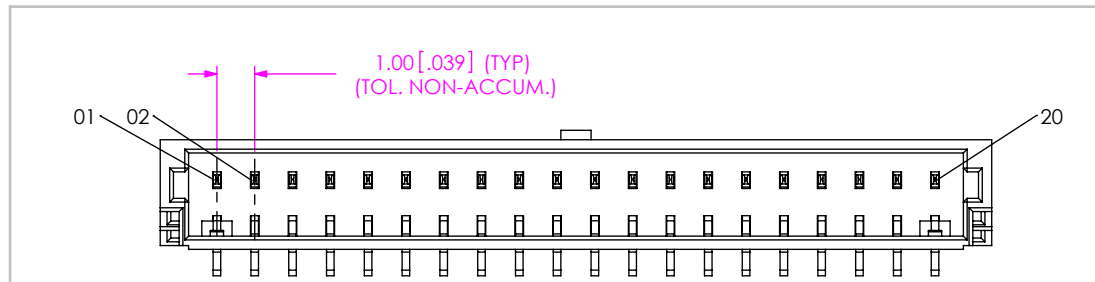


FIG 2  
(T1M-20-XX-S-V-TR SHOWN)  
(SAME AS FIG 1, EXCEPT AS SHOWN)

**PROPRIETARY NOTE**  
THIS DOCUMENT CONTAINS CONFIDENTIAL AND PROPRIETARY INFORMATION AND ALL DESIGN, MANUFACTURING, REPRODUCTION, USE, PATENT RIGHTS AND SALES RIGHTS ARE EXPRESSLY RESERVED BY SAMTEC, INC. THIS DOCUMENT SHALL NOT BE DISCLOSED, IN WHOLE OR PART, TO ANY UNAUTHORIZED PERSON OR ENTITY NOR REPRODUCED, TRANSFERRED OR INCORPORATED IN ANY OTHER PROJECT IN ANY MANNER WITHOUT THE EXPRESS WRITTEN CONSENT OF SAMTEC, INC.

DO NOT SCALE DRAWING

SHEET SCALE: 5:1



520 PARK EAST BLVD, NEW ALBANY, IN 47150  
PHONE: 812-944-6733 FAX: 812-948-5047  
e-Mail info@SAMTEC.com code 55322

DESCRIPTION:	1MM TERMINAL STRIP
DWG. NO.	T1M-XX-XX-S-V-X-TR
BY: ROY LUO	04/08/2010 SHEET 2 OF 3

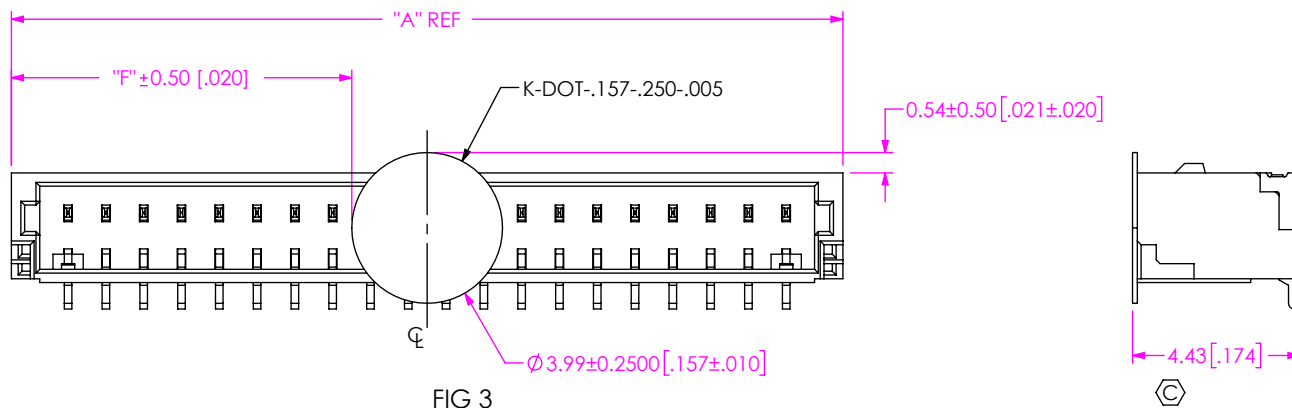


FIG 3  
 (T1M-20-XX-S-V-K-TR SHOWN)  
 (SAME AS FIG 2, EXCEPT AS SHOWN)

**PROPRIETARY NOTE**  
 THIS DOCUMENT CONTAINS CONFIDENTIAL AND PROPRIETARY INFORMATION AND ALL DESIGN, MANUFACTURING, REPRODUCTION, USE, PATENT RIGHTS AND SALES RIGHTS ARE EXPRESSLY RESERVED BY SAMTEC, INC. THIS DOCUMENT SHALL NOT BE DISCLOSED, IN WHOLE OR PART, TO ANY UNAUTHORIZED PERSON OR ENTITY NOR REPRODUCED, TRANSFERRED OR INCORPORATED IN ANY OTHER PROJECT IN ANY MANNER WITHOUT THE EXPRESS WRITTEN CONSENT OF SAMTEC, INC.

DO NOT SCALE DRAWING  
 SHEET SCALE: 8:1

**samtec**  
 520 PARK EAST BLVD, NEW ALBANY, IN 47150  
 PHONE: 812-944-6733 FAX: 812-948-5047  
 e-Mail info@SAMTEC.com code 55322

DESCRIPTION:	1MM TERMINAL STRIP
DWG. NO.	T1M-XX-XX-S-V-X-TR
BY: ROY LUO	04/08/2010 SHEET 3 OF 3