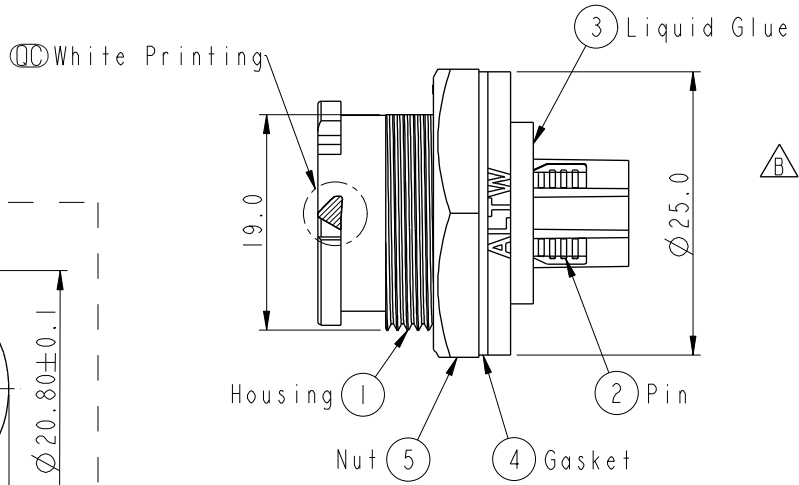
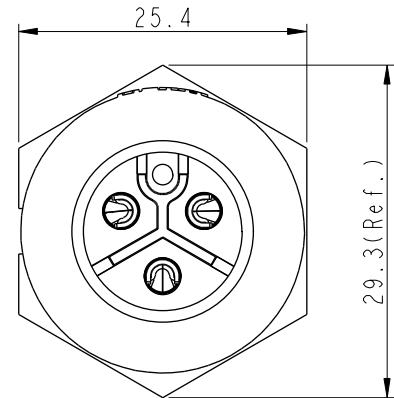
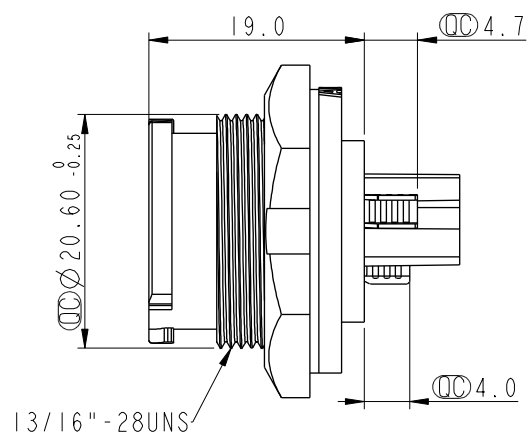
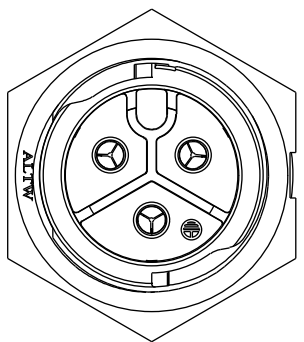


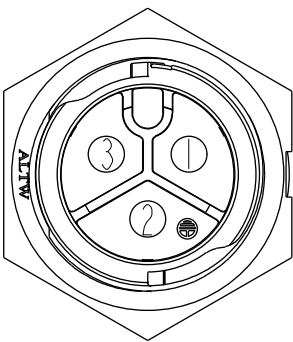
THIS DOCUMENT IS SUBJECT TO CHANGE WITHOUT NOTICE. IT IS CONFIDENTIAL AND A PROPERTY OF AMPHENOL LTW. DISCLOSURE TO THIRD PARTY HAS TO BE AUTHORIZED BY AMPHENOL LTW.

REV.	ECN NO.	DATE	SIGN	DESCRIPTION
A	Initial Release	2016/06/06	Tom_Gu	Change Rev.01 To Rev.A
B	CI90470	2019/03/20	Vicky	Change Note

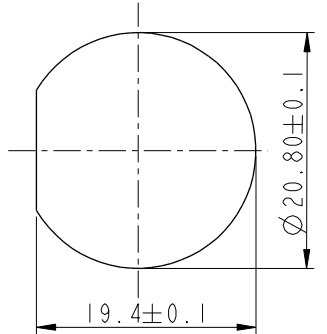
**ALTW**  
**CONFIDENTIAL**  
 2019-03-20  
 R&D DEPT.



- Note:**
- \*  $\text{CC}$  Important Dimension To Check.
  - \* Waterproof Rate: IP68, Unmated.  
In 1 meter water within 24 hours
  - \* Housing: Thermoplastic, Black.
  - \* Pin: Copper Alloy, Gold Plated.
  - \* Nut: Thermoplastic, Black.
  - \* Gasket: Rubber, Gray.
  - \* Use Without Waterproof Cap or Dust Cap  
Panel Thickness Max: 4.2mm
  - \* Use With Waterproof Cap or Dust Cap  
Panel Thickness Max: 3.0mm
  - \* Gasket and Nut are packed separately  
in PE bags.



Pin Assignments  
Front View



Recommended Panel Cut-Out

UNIT:mm   TOLERANCE .X ±0.25 .XX ±0.1 .XXX ±0.05 ANGLES ±1°	TITLE X-Lok C Size Receptacle Front 3Pin 20A M Conn. M Pin			<b>Amphenol LTW</b> 安費諾亮泰企業股份有限公司		ITEM NO CC-03PMMS-QC800P	DRAWN BY Vicky	DATE 2019-03-20
	SCALE 3:2	SIZE A4	SHEET 1 OF 1			DWG NO CC-03PMMS-QC800P	CHECKED BY Rita	DATE 2019-03-20
	REV. B	WC-REV. A.4	$\text{CC}$ : Inspection item	CUSTOMER ALTW	APPROVED BY Max	DATE 2019-03-20		
						6	7	8