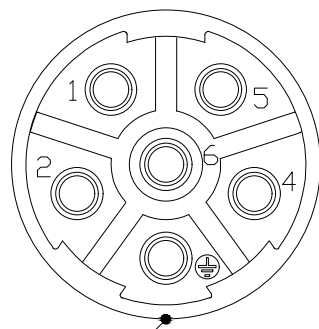


FEMALE END VIEW



1=L1
2=L2
PE=GN/YE
4=L3
5=BK
6=WH

GROUND CONNECTED TO HOUSING

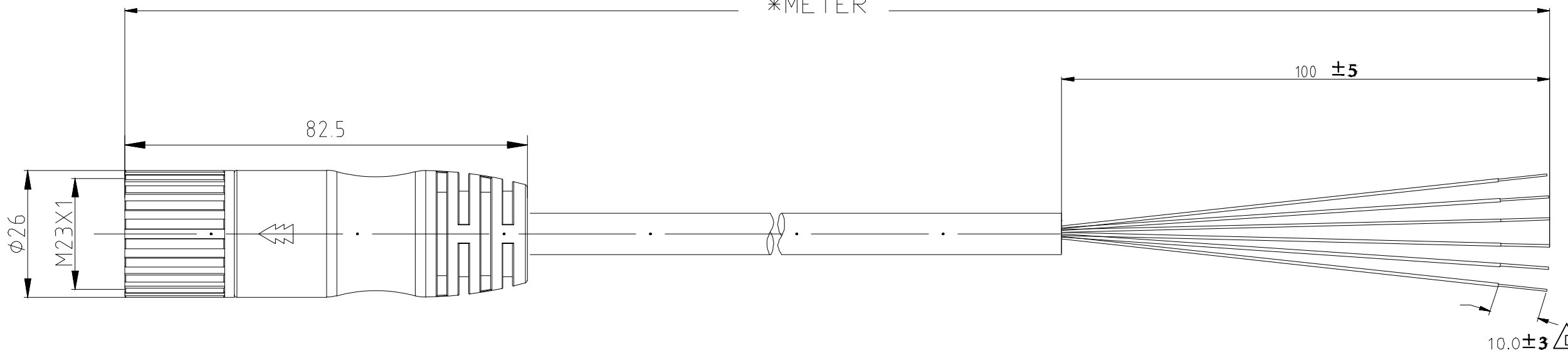
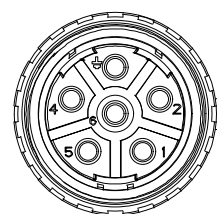
HARTING P/N	Revision	Cable length(mm)
21373800676050	01	5000 ⁺²⁰⁰ ₋₀
21373800676100	01	10000 ⁺⁴⁰⁰ ₋₀



SPECIFICATIONS

CONTACT CARRIER MATERIAL/COLOR	PBT/WHITE
MOLDED HEAD MATERIAL/COLOR	TPU/BLACK
CONTACT MATERIAL/COLOR	BRASS/SILVER
COUPLING NUT MATERIAL/PLATING	ZINC ALLOY/NICKEL
RATED CURRENT	14A
RATED VOLTAGE	630V
OUTER CABLR JACKET MATERIAL/COLOR	PUR/DRANGE
CONDUCTOR INSULATION MATERIAL	PVC
NUMBER OF CONDUCTORS (AWG)	4G1.5+(2x1.5)
OPERATING TEMPERATURE	-40°C — +80°C
PROTECTION CLASS	IEC IP67

*METER



	All Dimensions in mm	Tech. Character.		Free size tol.		According to production drawing	
	All rights reserved	Created by	Inspected by	Standardisation	Date	State	
	Department HCS - CN	LINI	LIANL	LIANL	2021-09-03	Final release	
D		Revised stripping tolerance (ECN21405)		Ivy Lin	09/03/21	Title	
C		Change raw cable supplier (ECN21375)		Ivy Lin	08/10/21	M23_6P FE,int-thread,STR PUR cable,xxM	
B		Update connector view (ECN20097)		Ivy Lin	04/13/20	Doc-Key / ECM-Nr.	
A		First issue.		Lucy Zheng	06/04/19	/	
Rev.	Description	Appr.	Date	HARTING Customised Solutions		Type	Number
				D-32339 Espelkamp		TB	2137 38 00 6 76 XXX
						Rev.	Page
						D	1/1