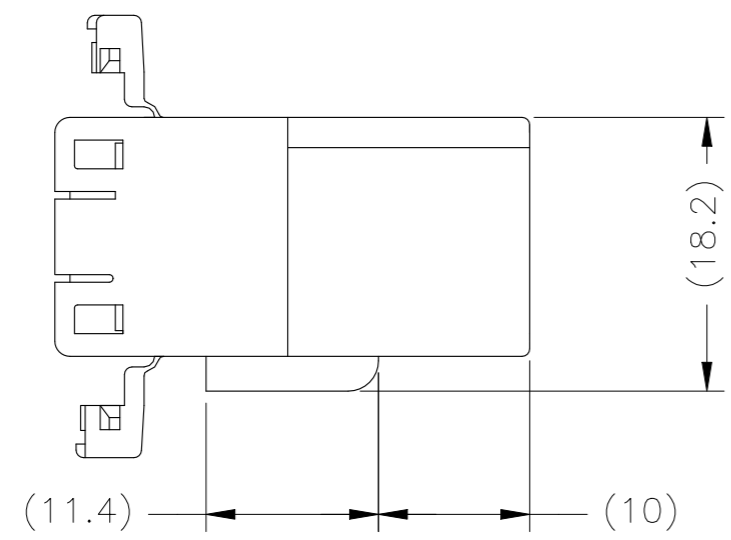
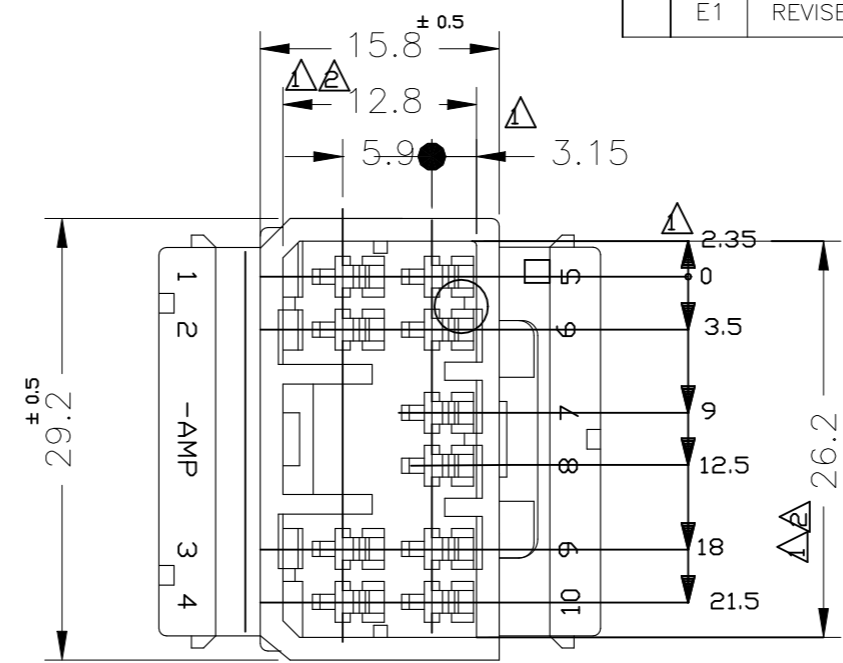
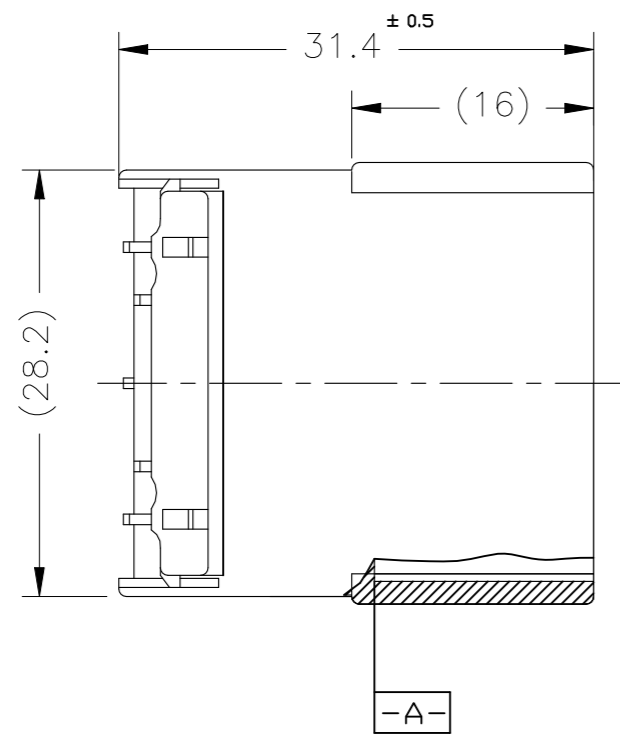


REVISIONS

P	LTR	DESCRIPTION	DATE	DWN	APVD
E1		REVISED PER ECR-23-165252	31JAN2023	RK	MT



注:

- △ -A- 面より2mmの範囲で測定
- △ 相手ハウジングと所定の機能を満足して嵌合できること
- 3. 内装するタブコンタクト型番 173633,173645
- 4. 嵌合相手ハウジング型番 174465

NOTE:

- △ MUST BE KEPT BETWEEN -A- AND 2.
- △ TO BE MATED WITH THE PLUG HSG SMOOTHLY.
- 3. APPLIED TAB CONTACT P/N; 173633,173645.
- 4. APPLIED PLUG HSG P/N; 174465

OBSOLETE	オレンジ(BRANGE)	174932-8
OBSOLETE	黄(YELLOW)	174932-7
OBSOLETE	灰(GRAY)	174932-6
OBSOLETE	青(BLUE)	174932-5
OBSOLETE	緑(GREEN)	174932-4
	黒(BLACK)	174932-2
	白(WHITE)	174932-1
	色 (COLOR)	型番 (PART NUMBER)

GENERAL TOLERANCE

0 < * ≤ 10	± 0.2
10 < * ≤ 30	± 0.25
30 < * ≤ 100	± 0.3
ANGLES	± 3°

THIS DRAWING IS A CONTROLLED DOCUMENT.		DWN H. KITAMURA 6/29'94	TE Connectivity .070 SRS MLC 10pos.CAP HSG(W-W)													
DIMENSIONS: mm		CHK K. BETSUR 6/30'94				NAME										
TOLERANCES UNLESS OTHERWISE SPECIFIED:		APVD P. AOYAMA 6/30'94				PRODUCT SPEC										
<table border="1"> <tbody> <tr><td>0 PLC</td><td>± -</td></tr> <tr><td>1 PLC</td><td>± -</td></tr> <tr><td>2 PLC</td><td>± -</td></tr> <tr><td>3 PLC</td><td>± -</td></tr> <tr><td>4 PLC</td><td>± -</td></tr> <tr><td>ANGLES</td><td>± -</td></tr> </tbody> </table>		0 PLC				± -	1 PLC	± -	2 PLC	± -	3 PLC	± -	4 PLC	± -	ANGLES	± -
0 PLC	± -															
1 PLC	± -															
2 PLC	± -															
3 PLC	± -															
4 PLC	± -															
ANGLES	± -															
MATERIAL PBT	FINISH -	WEIGHT -	SIZE A3	CAGE CODE 00779	DRAWING NO C-174932	RESTRICTED TO -										
CUSTOMER DRAWING			SCALE 2:1	SHEET 1 OF 1	REV E1											