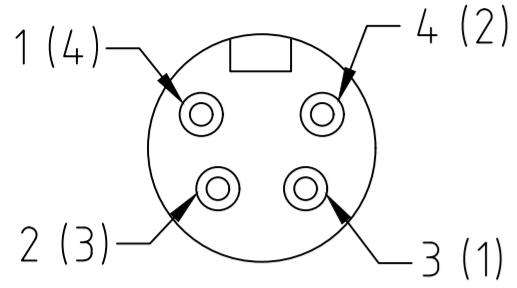


4P FACE VIEW  
MALE INSERT



- 1 BLACK (4)
- 2 BLUE (3)
- 3 BROWN (1)
- 4 WHITE (2)  
(CENELEC)

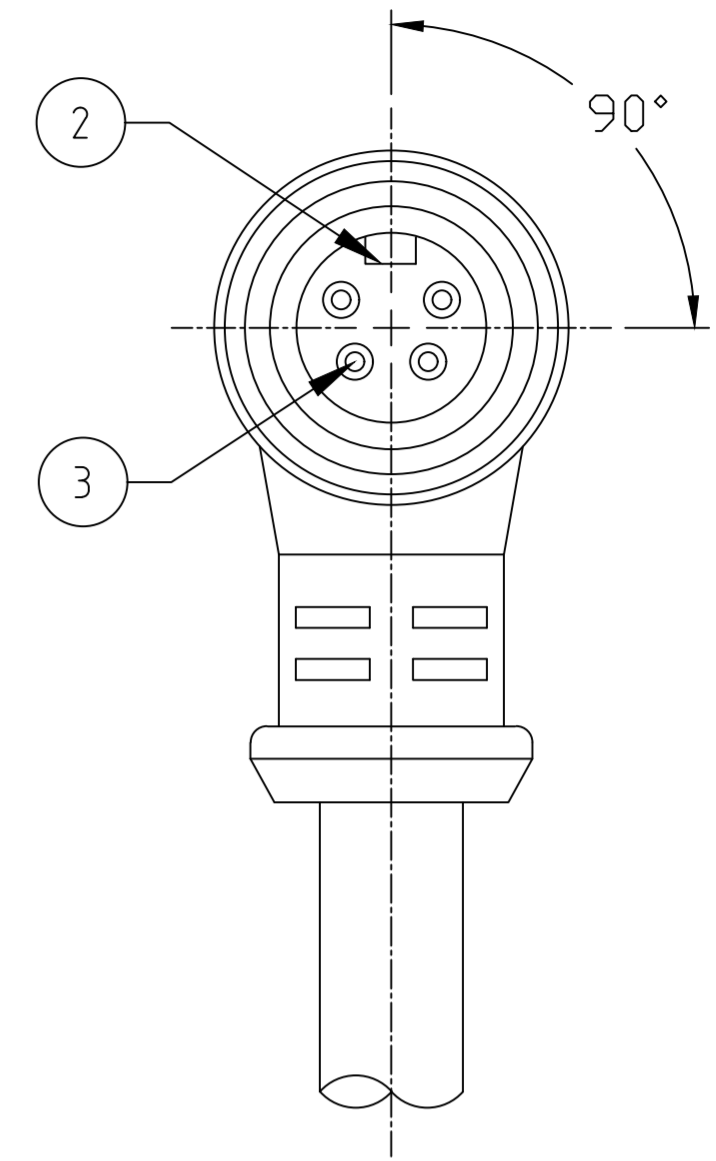
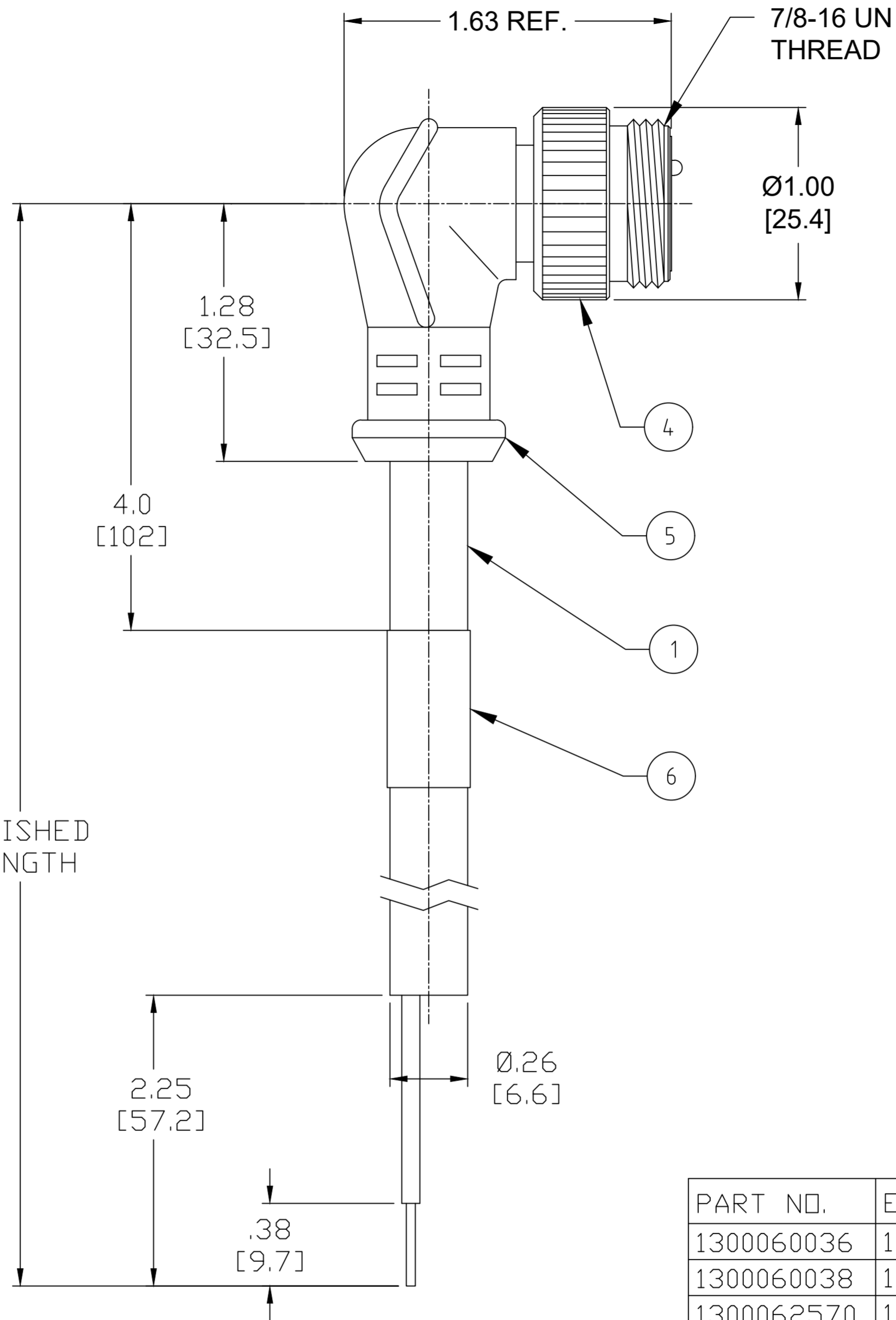
- NOTES:**
1. MATERIAL: AS NOTED
  2. FINISH: AS NOTED
  3. ELECTRICAL:  
VOLTAGE: 300V  
CURRENT: 5.6A
  4. TEMP RATING: -25°C TO +105°C
  5. PROTECTION: IP67 (WHEN MATED)
  6. COUPLING THREAD: AS NOTED
  7. ALL DIMS ARE FOR REFERENCE UNLESS TOLERANCED OR NOTED OTHERWISE

**PART NUMBER LEGEND**

POLE COUNT → 104007K03M010

FINISHED LENGTH:  
M005= 0.5 METER  
M010= 1.0 METER  
M100= 10.0 METER

FINISHED LENGTH



**CABLE LENGTH TOLERANCES**

|                          |                         |
|--------------------------|-------------------------|
| >.3M [1FT]:              | +19mm-0 [ +.75in-0]     |
| .3 - .9M [1 - 3FT]:      | +44.5mm-0 [+1.75in-0]   |
| .9 - 1.8M [3 - 6FT]:     | +55.6mm-0 [+2.19in-0]   |
| 1.8 - 3.7M [6 - 12FT]:   | +88.9mm-0 [+3.50in-0]   |
| 3.7 - 7.3M [12 - 24FT]:  | +165.1mm-0 [+6.50in-0]  |
| 7.3-14.6M [24 - 48FT]:   | +317.5mm-0 [+12.50in-0] |
| 14.6 - 30.5M [48-100FT]: | +622.3mm-0 [+24.50in-0] |
| OVER 30M [100FT]:        | +2% OF FINISHED LENGTH  |

| PART NO.   | ENGINEERING NO. | FINISHED LENGTH   |
|------------|-----------------|-------------------|
| 1300060036 | 104007K03M010   | 1.0M [3FT 3IN]    |
| 1300060038 | 104007K03M040   | 4.0M [13FT 1.4IN] |
| 1300062570 | 104007K03M100   | 10.0M [32FT 10IN] |

| ITEM | DESCRIPTION            | MATERIAL      | FINISH        |
|------|------------------------|---------------|---------------|
| 6    | WRAP LABEL             | VINYL         | BLACK/YELLOW  |
| 5    | OVERMOLD               | TPE           | YELLOW        |
| 4    | COUPLING NUT, EXT. THD | ZINC DIE-CAST | NICKEL PLATED |
| 3    | CONTACT PIN            | COPPER ALLOY  | GOLD PLATED   |
| 2    | MALE INSERT            | TPE           | YELLOW        |
| 1    | CABLE, 18AWG, PLTC     | TPE JACKET    | YELLOW        |

|                |  |   |                              |
|----------------|--|---|------------------------------|
| <b>SYMBOLS</b> |  | THIS DRAWING CONTAINS INFORMATION THAT IS PROPRIETARY TO MOLEX ELECTRONIC TECHNOLOGIES, LLC AND SHOULD NOT BE USED WITHOUT WRITTEN PERMISSION |                              |
| ▽ = 0          | DIMENSION UNITS                                      | SCALE   | CURRENT REV DESC: RELEASED   |
| ▽ = 0          | INCH/MM  | 1:1   |                              |
| ▽ = 0          | GENERAL TOLERANCES (UNLESS SPECIFIED)                |   |                              |
| ▽ = 0          | 4 PLACES   | ±----   | EC NO: 627392                |
| ▽ = 0          | 3 PLACES   | ±----   | DRWN: RSTONE 2019/11/13      |
| ▽ = 0          | 2 PLACES   | ±----   | CHK'D: MZIELINSKI 2019/11/18 |
| ▽ = 0          | 1 PLACE  | ±----   | APPR: BWOODMAN 2019/11/20    |
| ▽ = 0          | 0 PLACES   | ±----   | INITIAL REVISION:            |
| ▽ = 0          | ANGULAR TOL ± ---- °                                 |   | DRWN: RSTONE 2019/11/13      |
| ▽ = 0          | DRAFT WHERE APPLICABLE MUST REMAIN WITHIN DIMENSIONS | THIRD ANGLE PROJECTION  | APPR: BWOODMAN 2019/11/20    |
| ▽ = 0          |  | DRAWING   | SERIES                       |
|                |  | C-SIZE  | 130006                       |

|                                 |                            |
|---------------------------------|----------------------------|
| <b>molex</b>                    |                            |
| MINI-CHANGE CABLE ASSEMBLY      |                            |
| MALE 4 POLE, 90 DEG, 18AWG, TPE |                            |
| PRODUCT CUSTOMER DRAWING        |                            |
| DOCUMENT NUMBER                 | DOC TYPE/DOC PART/REVISION |
| 1300060036                      | PSD 000 A                  |
| MATERIAL NUMBER                 | CUSTOMER                   |
| GENERAL MARKET                  | SHEET NUMBER               |
|                                 | 1 OF 1                     |