

# XMLB070N2S11

Electromechanical pressure sensor, Pressure sensors XM, switch XMLB 70 bar, adjustable scale 2 thresholds, 1 C/O



## Main

|   |   |
|---|---|
| Range of Product  | OsiSense XM   |
| Product or Component Type                               | Electromechanical pressure sensor   |
| Pressure sensor type                                    | Electromechanical pressure sensor   |
| Device short name                                       | XMLB  |
| Pressure Rating   | 1015.26 psi (70 bar)  |
| Controlled fluid  | Air 32...320 °F (0...160 °C))<br>Corrosive fluid 32...320 °F (0...160 °C))  |
| Fluid connection type                                   | G 1/4 (female) ISO 228  |
| Electrical connection                                   | Screw-clamps terminals, 1 x 0.5...2 x 2.5 mm <sup>2</sup><br>1 connector Pg 13  |
| AWG Gauge   | AWG 20...AWG 14   |
| Cable entry   | Cable gland 0.35...0.51 in (9...13 mm)  |
| Contacts type and composition                           | 1 C/O   |
| Product Specific Application                            | -   |
| Pressure switch type of operation                       | Regulation between 2 thresholds   |
| Electrical circuit type                                 | Control circuit   |
| Scale type  | Adjustable differential   |
| Local display   | With  |
| Adjustable range of switching point on rising pressure  | 101.53...1015.26 psi (7...70 bar)   |
| Adjustable range of switching point on falling pressure | 33.36...887.63 psi (2.3...61.2 bar)   |
| Possible differential maximum at high setting           | 725.19 psi (50 bar)   |
| Maximum permissible accidental pressure                 | 2320.60 psi (160 bar)   |
| Destruction pressure                                    | 4641.21 psi (320 bar)   |
| Pressure actuator                                       | Piston  |
| Materials in contact with fluid                         | FPM, FKM<br>PTFE<br>316L stainless steel  |
| Enclosure Material                                      | Zinc alloy  |
| Line Rated Current                                      | 3 A, B300, AC-15 (Ue = 120 V)EN/IEC 60947-5-1<br>1.5 A, B300, AC-15 (Ue = 240 V)EN/IEC 60947-5-1<br>0.1 A, R300, DC-13 (Ue = 250 V)EN/IEC 60947-5-1 |

## Complementary

|   |  |
|---|--|
| Possible differential minimum at low setting  | 68.17 psi (4.7 bar) - 0.4 bar, + 0.7 bar)  |
| Possible differential minimum at high setting | 127.63 psi (8.8 bar) - 0.6 bar, + 0.8 bar) |
| Maximum permissible pressure - per cycle      | 1305.34 psi (90 bar)                       |
| Terminal block type                           | 4 terminals                                |
| Maximum operating rate                        | 60 cyc/mn                                  |
| Repeat accuracy                               | 2 %  |

The information provided in this documentation contains general descriptions and/or technical characteristics of the performance of the products contained herein. This documentation is not intended as a substitute for and is not to be used for determining suitability or reliability of these products for specific user applications. It is the duty of any such user or integrator to perform the appropriate and complete risk analysis, evaluation and testing of the products with respect to the relevant specific application or use thereof. Neither Schneider Electric Industries SAS nor any of its affiliates or subsidiaries shall be responsible or liable for misuse of the information contained herein.

|  |   |
|--|---|
| [Ui] rated insulation voltage          | 300 V UL 508<br>500 V EN/IEC 60947-1<br>300 V CSA C22.2 No 14 |
| [Uimp] rated impulse withstand voltage | 6 kV EN/IEC 60947-1   |
| Auxiliary contacts operation           | Snap action   |
| Contacts material                      | Silver contacts   |
| Maximum resistance across terminals    | 25 MOhm IEC 255-7 category 3<br>25 mOhm NF C 93-050 method A  |
| Short-circuit protection               | 10 A cartridge fuse gG (gl)                                   |
| Mechanical durability                  | 6000000 cycles  |
| Setting                                | External  |
| Height                                 | 4.45 in (113 mm)  |
| Depth                                  | 2.95 in (75 mm)   |
| Width                                  | 1.38 in (35 mm)   |
| Net Weight                             | 1.58 lb(US) (0.715 kg)  |

## Environment

|                                       |   |
|---------------------------------------|---|
| Standards                             | CSA C22.2 No 14<br>EN/IEC 60947-5-1<br>CE<br>UL 508                 |
| Product Certifications                | EAC<br>UL<br>LROS (Lloyds register of shipping)<br>CSA<br>BV<br>CCC |
| Protective treatment                  | TC standard version   |
| Ambient Air Temperature for Operation | -13...158 °F (-25...70 °C)  |
| Ambient Air Temperature for Storage   | -40...158 °F (-40...70 °C)  |
| Operating position                    | Any position  |
| Vibration resistance                  | 4 gn 30...500 Hz)IEC 60068-2-6                                      |
| Shock resistance                      | 50 gn IEC 60068-2-27  |
| Electrical shock protection class     | Class I IEC 1140<br>Class I IEC 536<br>Class I NF C 20-030          |
| IP degree of protection               | IP66 conforming to EN/IEC 60529                                     |

## Ordering and shipping details

|                       |                                    |
|-----------------------|------------------------------------|
| Category              | 22661-XMLA,B,C,D PRESSURE SWITCHES |
| Discount Schedule     | DS2                                |
| GTIN                  | 3389110714227                      |
| Nbr. of units in pkg. | 1                                  |
| Package weight(Lbs)   | 27.13 oz (769.0 g)                 |
| Returnability         | No                                 |
| Country of origin     | CZ                                 |

## Packing Units

|                              |                          |
|------------------------------|--------------------------|
| Unit Type of Package 1       | PCE                      |
| Package 1 Height             | 4.80 in (12.2 cm)        |
| Package 1 width              | 1.65 in (4.2 cm)         |
| Package 1 Length             | 3.35 in (8.5 cm)         |
| Unit Type of Package 2       | S02                      |
| Number of Units in Package 2 | 13                       |
| Package 2 Weight             | 23.04 lb(US) (10.452 kg) |
| Package 2 Height             | 5.91 in (15 cm)          |
| Package 2 width              | 11.81 in (30 cm)         |
| Package 2 Length             | 15.75 in (40 cm)         |

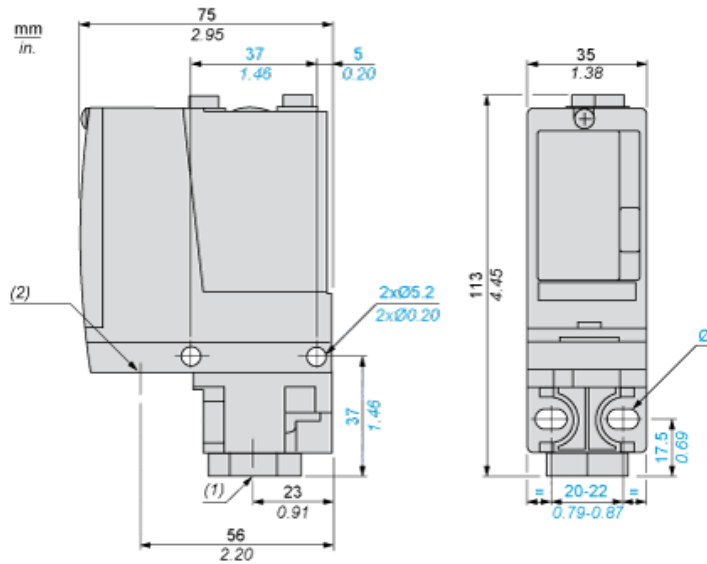
## Offer Sustainability

|                            |   |
|----------------------------|---|
| Sustainable offer status   | Green Premium product   |
| California proposition 65  | WARNING: This product can expose you to chemicals including: Diisononyl phthalate (DINP), which is known to the State of California to cause cancer, and Di-isodecyl phthalate (DIDP), which is known to the State of California to cause birth defects or other reproductive harm. For more information go to <a href="http://www.P65Warnings.ca.gov">www.P65Warnings.ca.gov</a> |
| REACH Regulation           | <a href="#">REACH Declaration</a>   |
| EU RoHS Directive          | Pro-active compliance (Product out of EU RoHS legal scope) <a href="#">EU RoHS Declaration</a>  |
| Mercury free               | Yes   |
| RoHS exemption information | <a href="#">Yes</a>   |
| Environmental Disclosure   | <a href="#">Product Environmental Profile</a>   |

## Contractual warranty

|          |           |
|----------|-----------|
| Warranty | 18 months |
|----------|-----------|

Dimensions



- (1) 1 fluid entry, tapped G1/4 (BSP female)
- (2) 1 electrical connections entry, tapped Pg 13.5
- $\varnothing$ : 2 elongated holes  $\varnothing 5.2 \times 6.7$

---

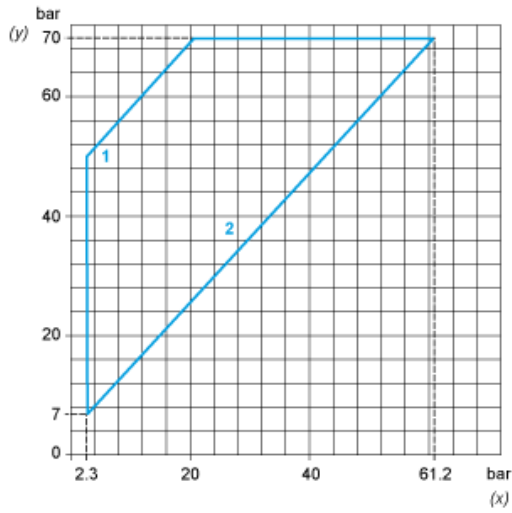
## Wiring Diagram

---

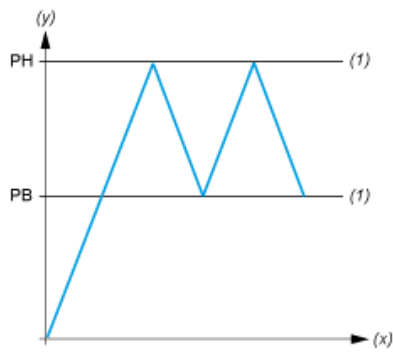
### Terminal Model



Operating Curves



- (y) Rising pressure
- (x) Falling pressure
- 1 : Maximum differential
- 2 : Minimum differential



- (y) Pressure
- (x) Time
- (t) Adjustable value
- PH : High point
- PB : Below point