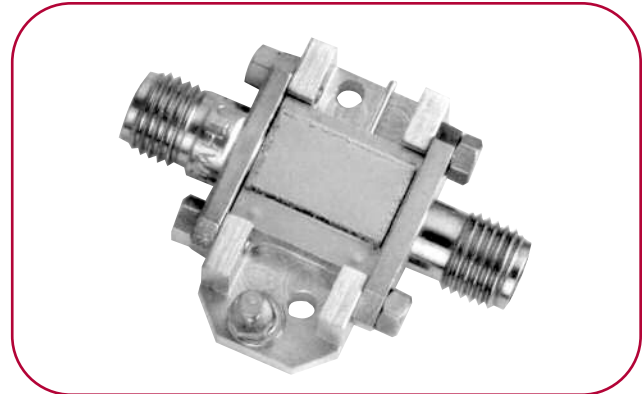


ACTIVE FREQUENCY DOUBLERS

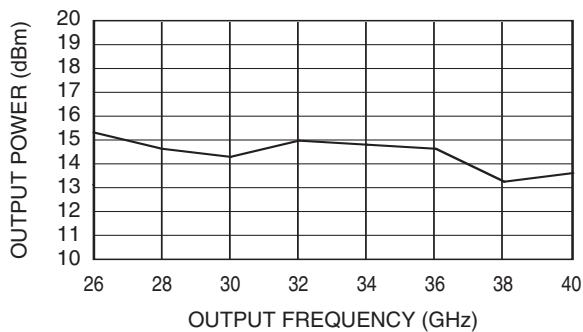
MODEL: MAX2M260400

ELECTRICAL SPECIFICATIONS

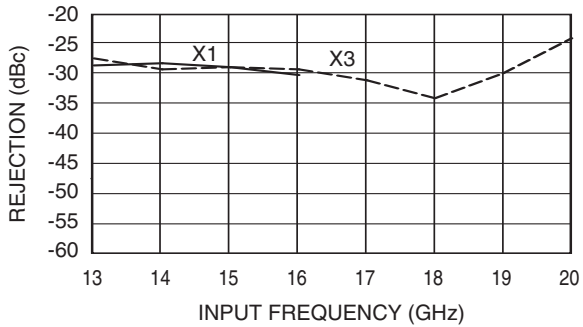
Input frequency range	13 – 20 GHz
Output frequency range	26 – 40 GHz
Input power range	10 – 15 dBm nominal
Harmonic rejection	
Fundamental	18 dB typical
Odd harmonic	18 dB typical



OUTPUT POWER VS. FREQUENCY

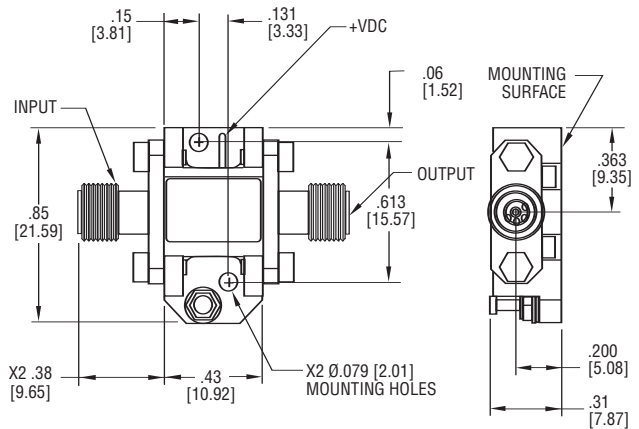


FUNDAMENTAL REJECTION VS. FREQUENCY ($P_{IN} = +10$ dBm)



OUTLINE DRAWING

MAX2K



NOTES:

- Optional input connectors SMA, K or output connectors K or V type male.
- Optional waveguide output available, please contact MITEQ.
- All dimensions shown in brackets [] are in millimeters.