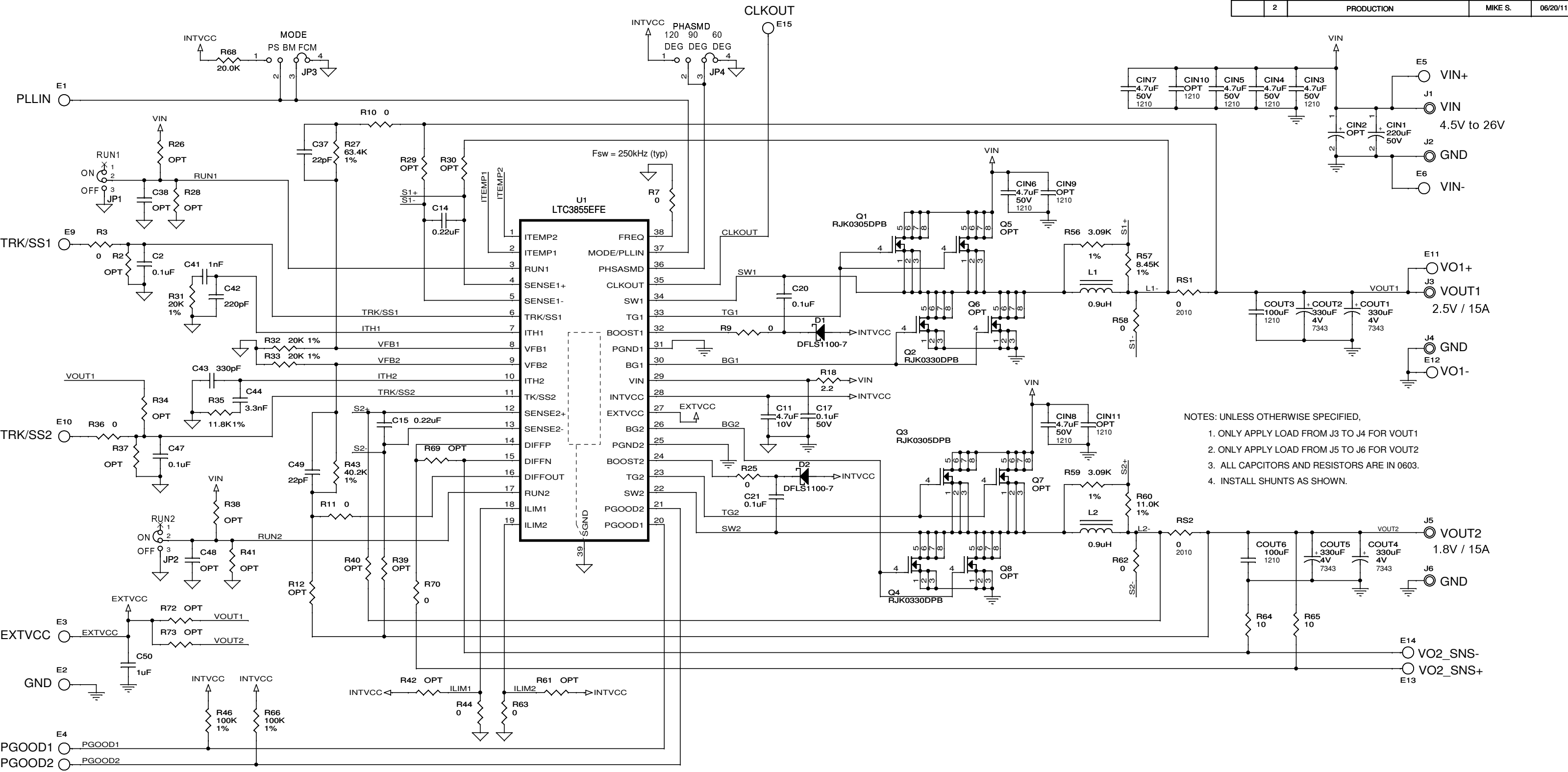
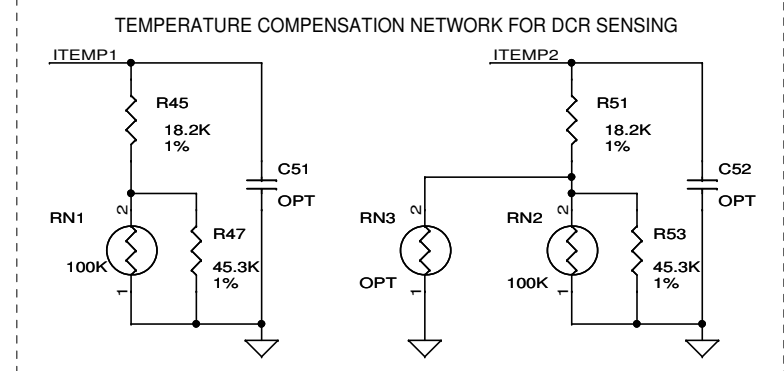
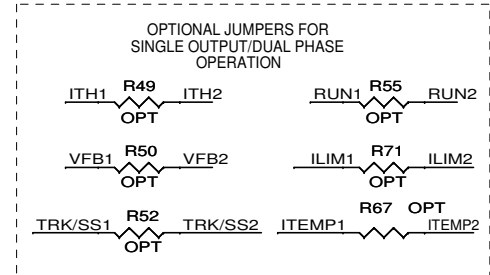


REVISION HISTORY				
ECO	REV	DESCRIPTION	APPROVED	DATE
	2	PRODUCTION	MIKE S.	06/20/11



- NOTES: UNLESS OTHERWISE SPECIFIED,
1. ONLY APPLY LOAD FROM J3 TO J4 FOR VOUT1
 2. ONLY APPLY LOAD FROM J5 TO J6 FOR VOUT2
 3. ALL CAPACITORS AND RESISTORS ARE IN 0603.
 4. INSTALL SHUNTS AS SHOWN.



CUSTOMER NOTICE

LINEAR TECHNOLOGY HAS MADE A BEST EFFORT TO DESIGN A CIRCUIT THAT MEETS CUSTOMER-SUPPLIED SPECIFICATIONS; HOWEVER, IT REMAINS THE CUSTOMER'S RESPONSIBILITY TO VERIFY PROPER AND RELIABLE OPERATION IN THE ACTUAL APPLICATION. COMPONENT SUBSTITUTION AND PRINTED CIRCUIT BOARD LAYOUT MAY SIGNIFICANTLY AFFECT CIRCUIT PERFORMANCE OR RELIABILITY. CONTACT LINEAR TECHNOLOGY APPLICATIONS ENGINEERING FOR ASSISTANCE.

THIS CIRCUIT IS PROPRIETARY TO LINEAR TECHNOLOGY AND SUPPLIED FOR USE WITH LINEAR TECHNOLOGY PARTS.

APPROVALS

PCB DES.	MI
APP ENG.	MIKE S.
SCALE	NONE

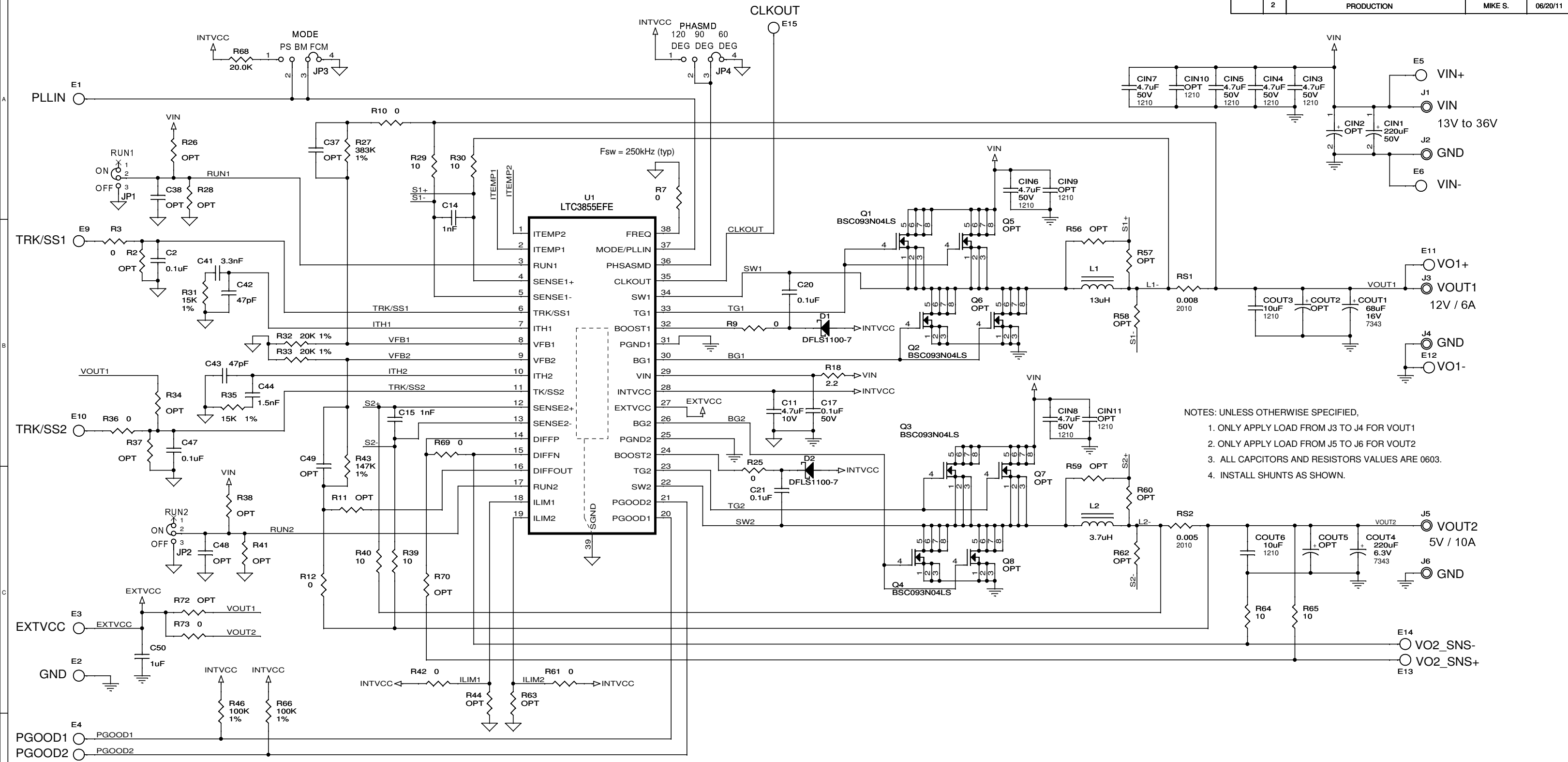
1630 McCarthy Blvd.
Milpitas, CA 95035
Phone: (408)432-1900 www.linear.com
Fax: (408)434-0507
LTC Confidential-For Customer Use Only

LINEAR TECHNOLOGY

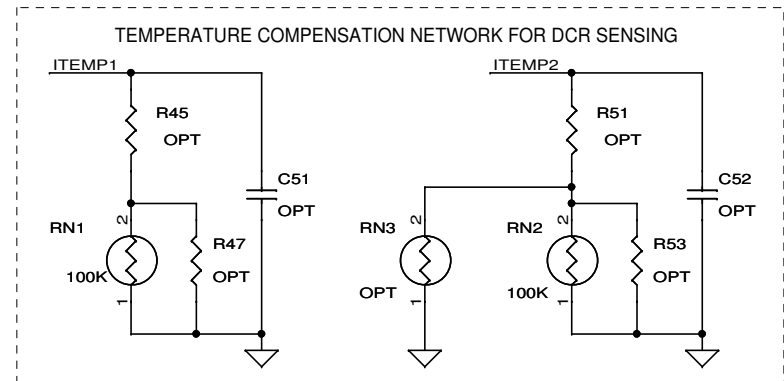
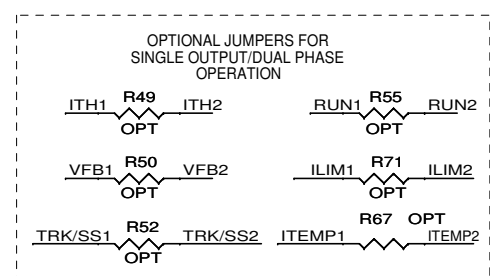
TITLE: SCHEMATIC
DUAL OUTPUT SYNCHRONOUS BUCK CONVERTER

SIZE	N/A	IC NO.	LTC3855EFE	REV.	2
DATE	Monday, June 20, 2011		SHEET 1 OF 1		

REVISION HISTORY				
ECO	REV	DESCRIPTION	APPROVED	DATE
	2	PRODUCTION	MIKE S.	06/20/11



- NOTES: UNLESS OTHERWISE SPECIFIED,
1. ONLY APPLY LOAD FROM J3 TO J4 FOR VOUT1
 2. ONLY APPLY LOAD FROM J5 TO J6 FOR VOUT2
 3. ALL CAPACITORS AND RESISTORS VALUES ARE 0603.
 4. INSTALL SHUNTS AS SHOWN.



CUSTOMER NOTICE
 LINEAR TECHNOLOGY HAS MADE A BEST EFFORT TO DESIGN A CIRCUIT THAT MEETS CUSTOMER-SUPPLIED SPECIFICATIONS; HOWEVER, IT REMAINS THE CUSTOMER'S RESPONSIBILITY TO VERIFY PROPER AND RELIABLE OPERATION IN THE ACTUAL APPLICATION. COMPONENT SUBSTITUTION AND PRINTED CIRCUIT BOARD LAYOUT MAY SIGNIFICANTLY AFFECT CIRCUIT PERFORMANCE OR RELIABILITY. CONTACT LINEAR TECHNOLOGY APPLICATIONS ENGINEERING FOR ASSISTANCE.

APPROVALS	
PCB DES.	MI
APP ENG.	MIKE S.
SCALE = NONE	

1630 McCarthy Blvd.
 Milpitas, CA 95035
 Phone: (408)432-1900 www.linear.com
 Fax: (408)434-0507
 LTC Confidential-For Customer Use Only

LINEAR TECHNOLOGY

TITLE: SCHEMATIC
DUAL OUTPUT SYNCHRONOUS BUCK CONVERTER

SIZE	IC NO.	REV.
N/A	LTC3855EFE	2
DATE: Monday, June 20, 2011		SHEET 1 OF 1