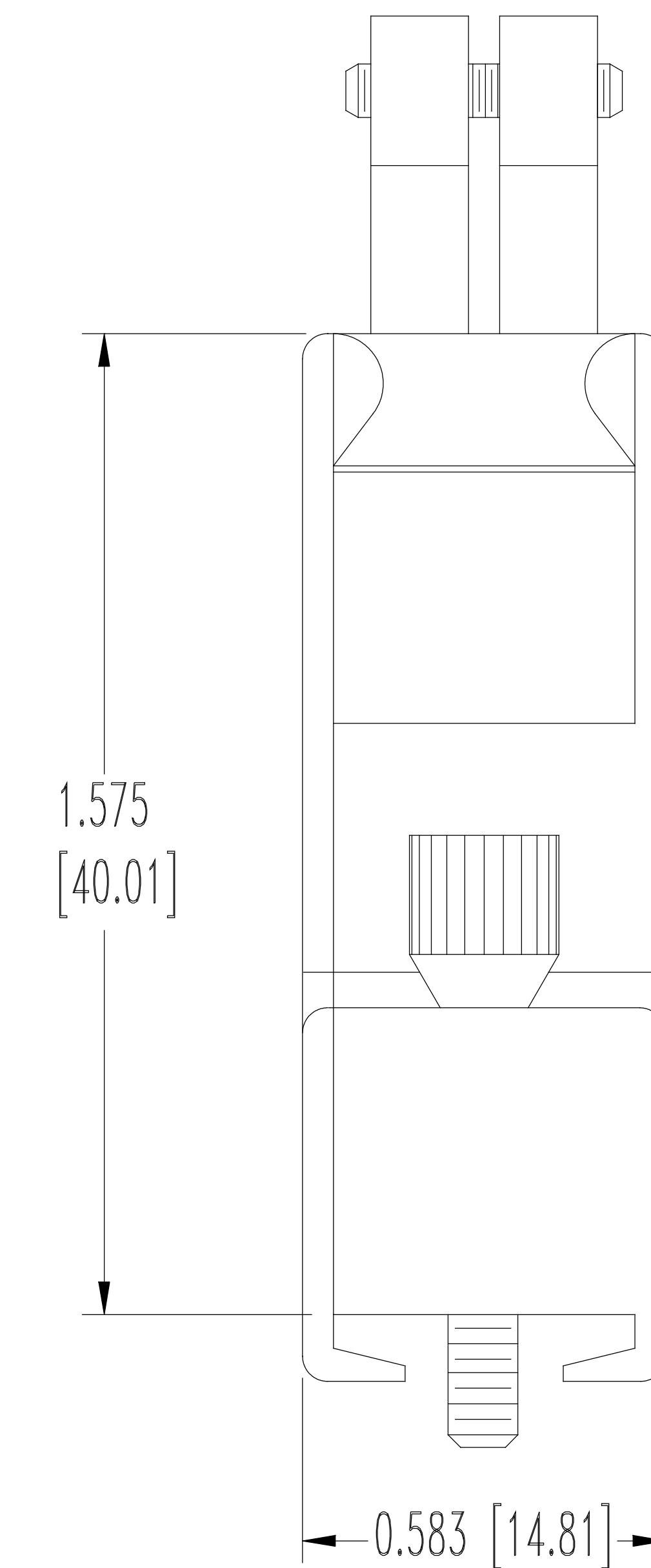
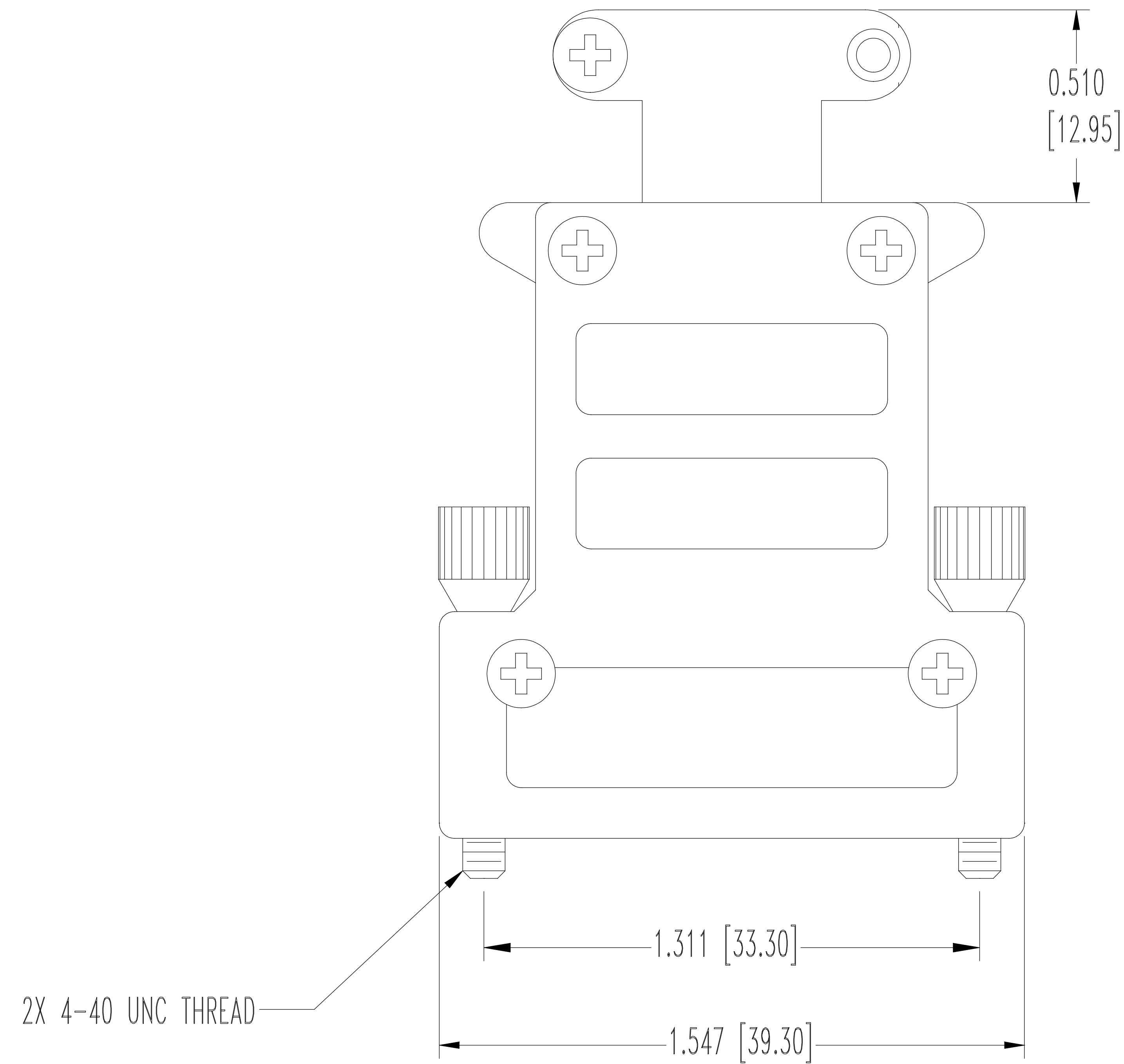


SK5658

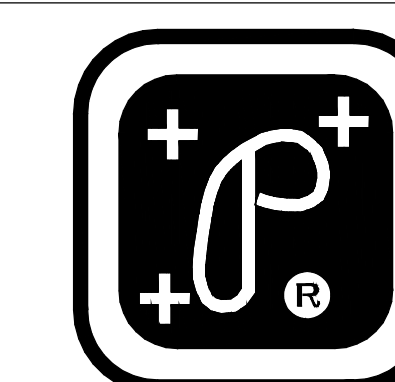
THIS DRAWING CONTAINS INFORMATION PROPRIETARY TO POSITRONIC AND ITS SUBSIDIARIES. POSITRONIC BELIEVES THE DATA ON THIS DRAWING TO BE RELIABLE. SINCE THE TECHNICAL INFORMATION IS GIVEN FREE OF CHARGE, THE USER EMPLOYS SUCH INFORMATION AT HIS OWN DISCRETION AND RISK. POSITRONIC ASSUMES NO RESPONSIBILITY FOR RESULTS OBTAINED OR DAMAGES INCURRED FROM USE OF SUCH INFORMATION IN WHOLE OR IN PART.

DATE	REV	REVISION RECORD	APP	DR	CK
9-7-04	NC	ECO 22962	TK	ME	TK
7-09-13	A	ECO 40061	COLE	BS	COLE



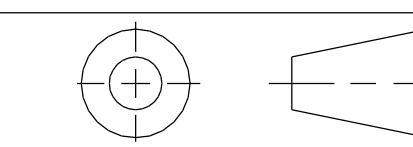
NOTES:

- MATERIALS AND FINISHES:
HOOD AND CABLE CLAMPS: DIE CAST ZINC.
JACKSCREWS: STEEL, ZINC PLATE WITH CHROMATE SEAL.
- DETAILED PRODUCT, MECHANICAL, AND ELECTRICAL INFORMATION IS AVAILABLE IN THE LATEST D-SUB ACCESSORY PRODUCT PUBLICATION. VISIT CONNECTPOSITRONIC.COM/PRODUCTS/58/D-SUBMINIATUREACCESSORIES OR CONNECTPOSITRONIC.COM.
- DIMENSIONS ARE IN INCHES [MILLIMETERS].



POSITRONIC INDUSTRIES INC.
www.connectpositronic.com

FSCM 28198



DECIMAL TOL.
± 0.015 [0.38]

D SERIES

SCALE
N.T.S.

DRAWN BY
M. ENEA
APPROVED BY
T KEPLEY

TITLE
D15000GEO

ANGULAR TOL.
± 5°

DATE
9-7-04

DRAWING NUMBER
SK5658

REV.
A