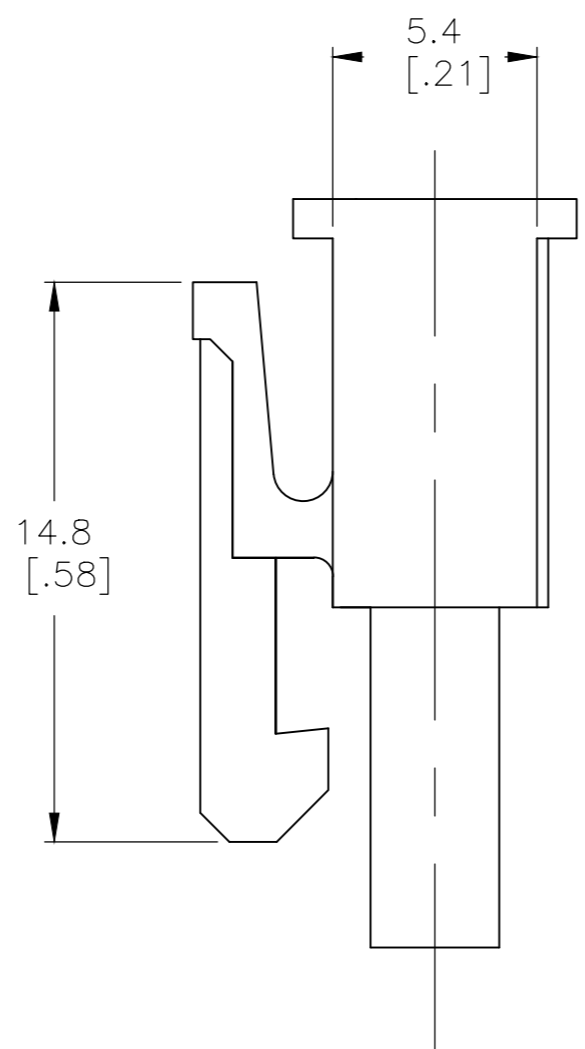
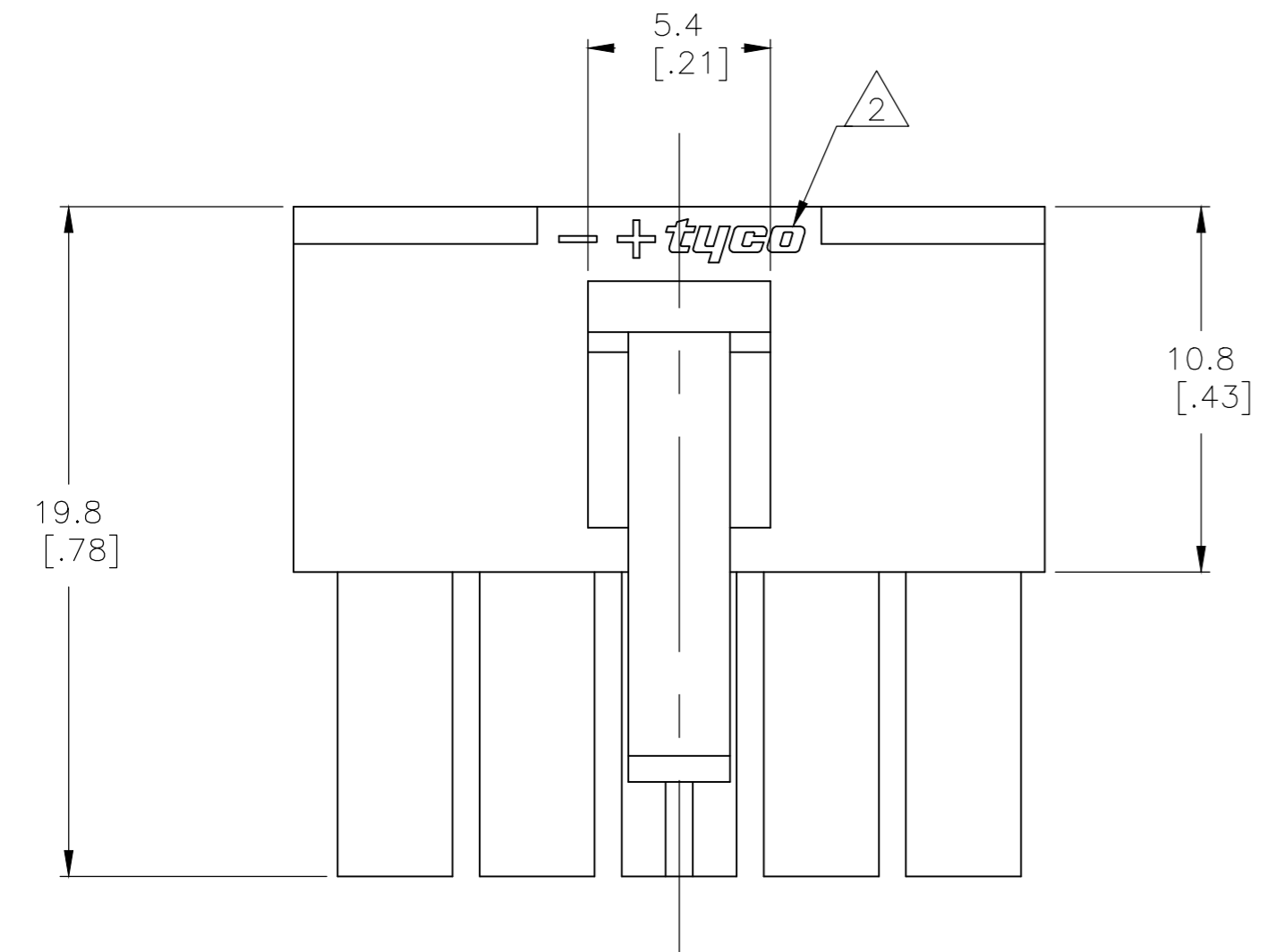
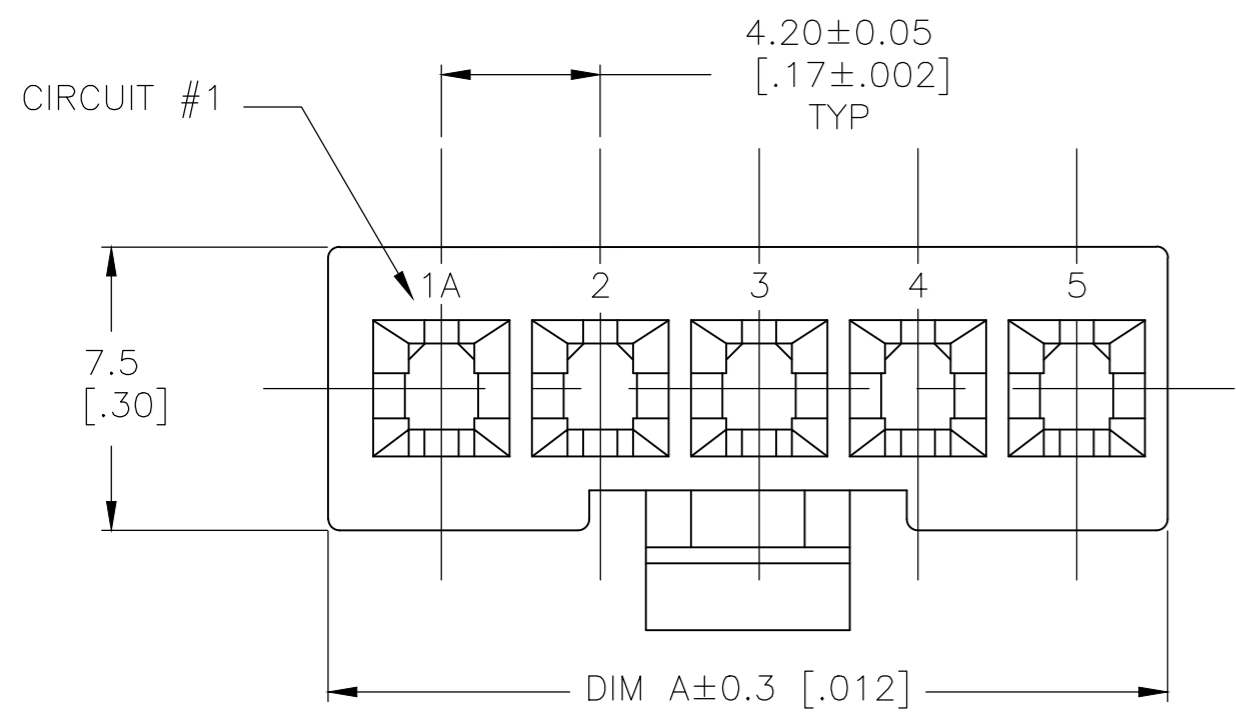
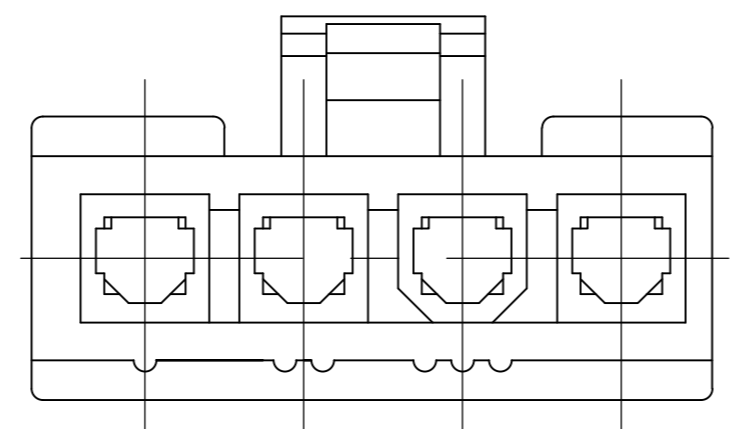
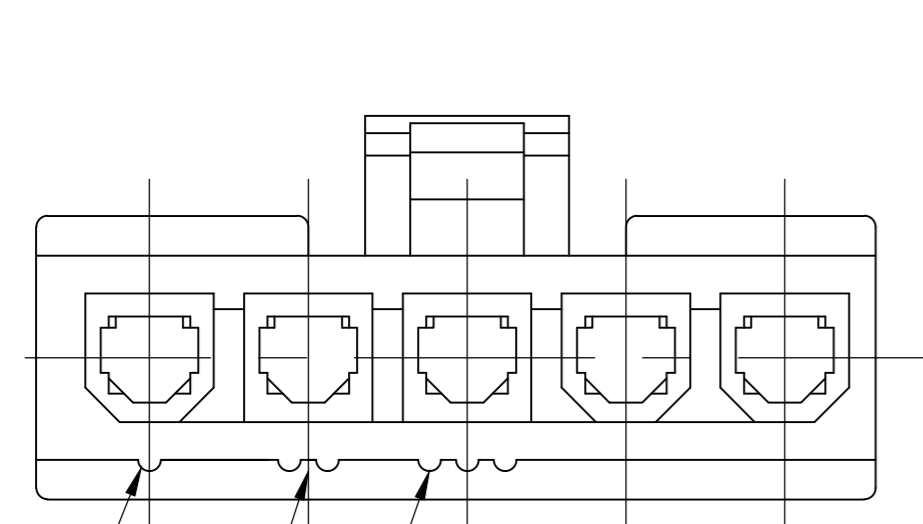


THIS DRAWING IS UNPUBLISHED. RELEASED FOR PUBLICATION  
 © COPYRIGHT - TE Connectivity Ltd. ALL RIGHTS RESERVED.

REVISIONS				
P	LTR	DESCRIPTION	DATE	APVD
A		INITIAL RELEASE	21MAY2019	L.C D.Z



1. MATERIAL: NYLON, UL94V-0. COLOR NATURAL.
2. COMPLY WITH GLOW WIRE REQUIREMENTS FOR PARTS OF NON-METALLIC MATERIAL SUPPORTING A CURRENT-CARRYING CONNECTION DETAILED IN IEC 60335-1, SECTION 30(GWT)
3. MATES WITH VAL-U-LOK(TM) PLUG HOUSINGS 2029180-X (GLOW WIRE) AND OTHER EQUIVALENT PARTS.
4. TE LOGO,- SIZE, LOCATION, AND ORIENTATION OPTIONAL.



4 POSITION MATING FACE  
(FOR POLARIZATION IDENTIFICATION)

22.2 [.87]	5	2348036-5
18.0 [.71]	4	2348036-4
DIM A	POS	PART NUMBER

THIS DRAWING IS A CONTROLLED DOCUMENT.		DWN	L.CHEN	03DEC2018		TE Connectivity			
DIMENSIONS:		CHK	D.ZHANG	03DEC2018		NAME			
mm [INCHES]		APVD	D.ZHANG	03DEC2018		RECEPTACLE, SINGLE ROW, VAL-U-LOK(TM)			
TOLERANCES UNLESS OTHERWISE SPECIFIED:		PRODUCT SPEC		108-2112		RESTRICTED TO			
0 PLC ± -		APPLICATION SPEC		114-13172		SIZE	CAGE CODE	DRAWING NO	RESTRICTED TO
1 PLC ± 0.2 [.01]		WEIGHT		0.000000		A2	00779	C=2348036	-
2 PLC ± -		CUSTOMER DRAWING		SCALE		NTS		SHEET	1 of 1
3 PLC ± -		FINISH		-				REV	A
4 PLC ± -									
ANGLES ± -									
SEE NOTES									

2348036