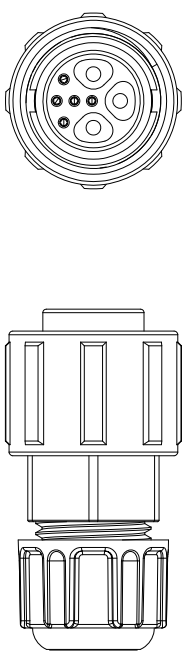
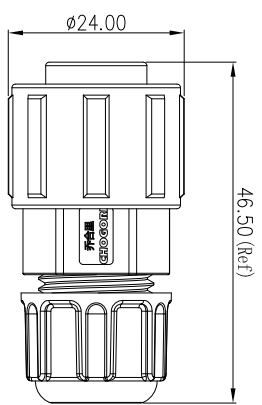
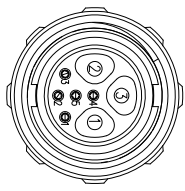


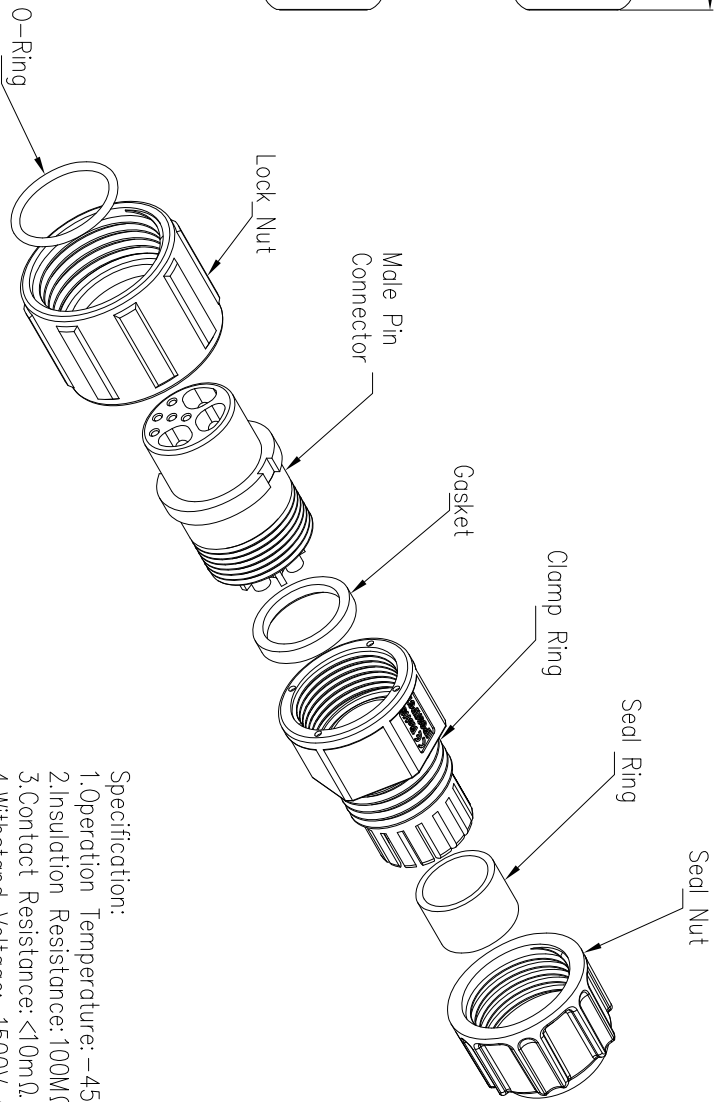
REV.	EN. NO.	DESCRIPTION	SIGN	DATE
C1	N/A	INITIAL DRAWING	Hary	2020/05/04



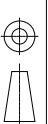
233XXX111-XX Cable Range OD
 01 OD: $\phi 3.5\text{mm} \sim \phi 6.5\text{mm}$
 02 OD: $\phi 6.5\text{mm} \sim \phi 9.5\text{mm}$



(3+5) Pin
 P/N: 23305111-XX
 Pin Assignments
 Front View



- Specification:
1. Operation Temperature: $-45^{\circ}\text{C} \sim 105^{\circ}\text{C}$.
 2. Insulation Resistance: $100\text{M}\Omega$ at DC500V.
 3. Contact Resistance: $<10\text{m}\Omega$.
 4. Withstand Voltage: 1500V AC
 5. Operating Current: 15A/2A
 6. Operating Voltage: AC 125V/30V
 7. Waterproof Rate: IP67 (Mated)
 8. Seal Nut: Nylon, Black
 9. Seal Ring: Silicon, Black.
 10. Clamp Ring: Nylon, Black
 11. Gasket: Silicon, Red
 12. Lock Nut: Nylon, Black
 13. Male Pin: Copper Alloy, Gold Plated
 14. Connector: Nylon+GF, Black
 15. O-Ring: Silicon, Red
 16. RoHS Compliant.
 17. Mating Cap: 806-00026-01



UNIT: mm
 TOLERANCE
 .X ± 0.25
 .XX ± 0.15
 .XXX ± 0.05
 ANGLES $\pm 1'$

DESCRIPTION
 Middle Series Screw
 Male Plug With Male Pin

SCALE: 1:1
 REV: C1
 SIZE: A4
 SHEET: 1 OF 1
 * : Inspection Item

CHOGORI

PART NO	DRAWN BY	DATE
23305111-XX	Hary	2020/05/04
DWG NO	CHECKED BY	DATE
	MO	2020/05/04
CUSTOMER	APPROVED BY	DATE
	Panson	2020/05/04