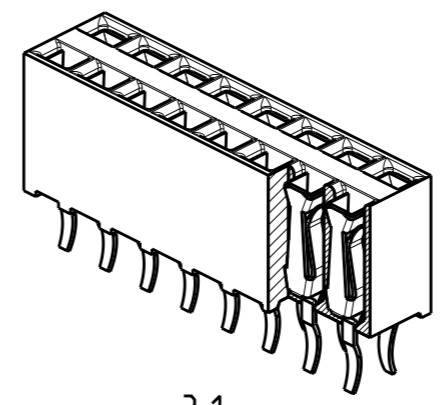
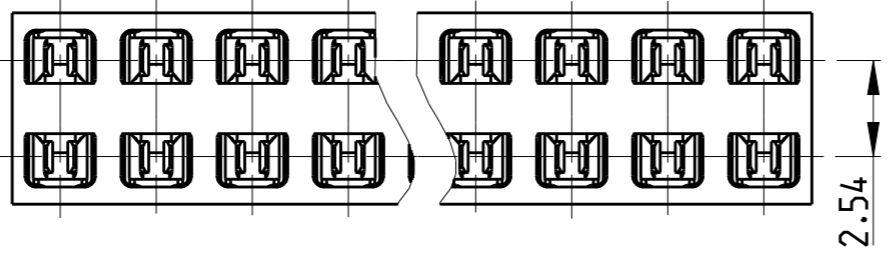
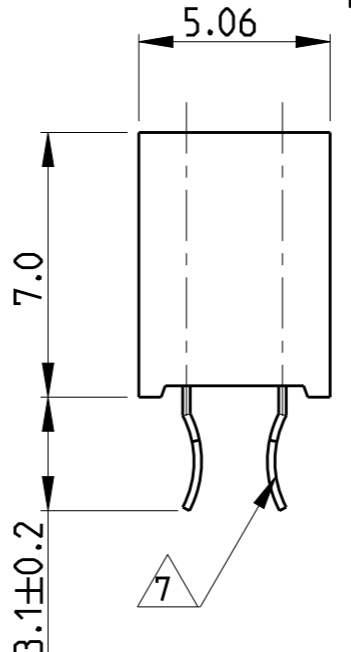
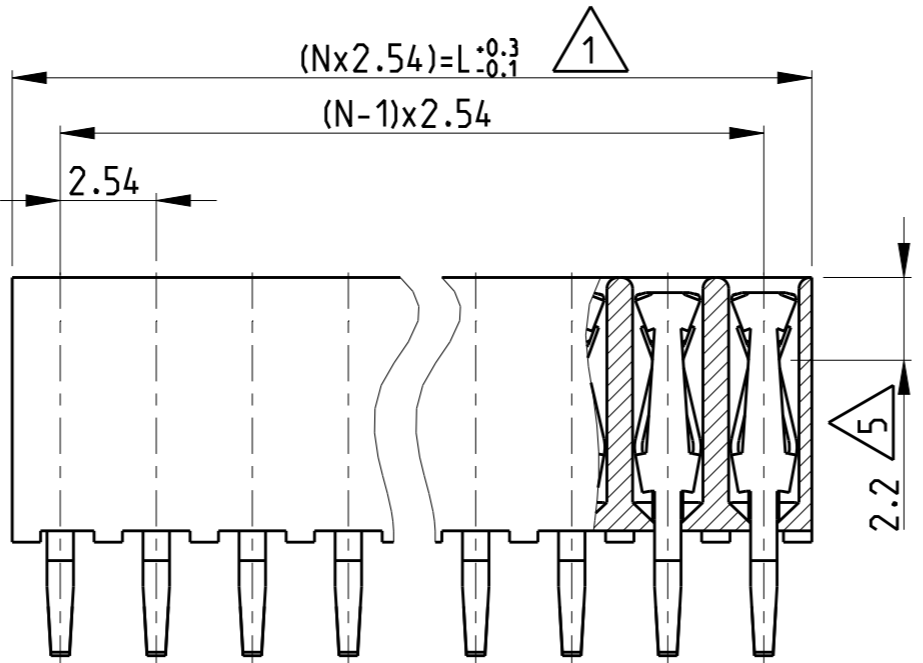


© 2019 TE Connectivity. All Rights Reserved.

REVISIONS

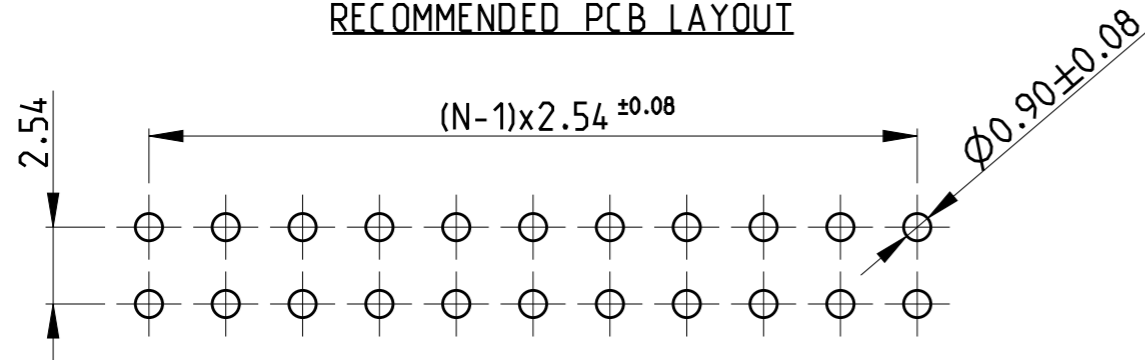
| P | LTR | DESCRIPTION | DATE | DWN | APVD |
|---|-----|----------------------------------|-----------|-----|------|
| E | | PLASTIC MATERIAL SUPPLIER CHANGE | 20MAR2019 | SS | PS |

| POS. PER ROW 'N' | L | PART NUMBER | |
|------------------|-------|--------------|----------|
| 2 | 5.08 | 215308 -2 | OBSOLETE |
| 3 | 7.62 | -3 | |
| 4 | 10.16 | -4 | |
| 5 | 12.70 | -5 | |
| 6 | 15.24 | -6 | OBSOLETE |
| 7 | 17.78 | -7 | |
| 8 | 20.32 | -8 | |
| 9 | 22.86 | -9 | |
| 10 | 25.40 | 1- -0 | OBSOLETE |
| 11 | 27.94 | 1- -1 | |
| 12 | 30.48 | 1- -2 | |
| 13 | 33.02 | 1- -3 | OBSOLETE |
| 14 | 35.56 | 1- -4 | |
| 15 | 38.10 | 1- -5 | |
| 16 | 40.64 | 1- -6 | |
| 17 | 43.18 | 1- -7 | OBSOLETE |
| 18 | 45.72 | 1- -8 | |
| 19 | 48.26 | 1- -9 | |
| 20 | 50.80 | 2- -0 | |
| 21 | 53.34 | 2- -1 | OBSOLETE |
| 22 | 55.88 | 2- -2 | |
| 23 | 58.42 | 2- -3 | |
| 24 | 60.96 | 2- -4 | |
| 25 | 63.50 | 2- -5 | |
| 26 | 66.04 | 2- -6 | OBSOLETE |
| 27 | 68.58 | 2- -7 | |
| 28 | 71.12 | 2- -8 | |
| 29 | 73.66 | 2- -9 | OBSOLETE |
| 30 | 76.2 | 3- -0 | |
| 31 | 78.74 | 3- -1 | OBSOLETE |
| 32 | 81.28 | 3- -2 | |
| 33 | 83.82 | 3- -3 | OBSOLETE |
| 34 | 86.36 | 3- -4 | |
| 35 | 88.90 | 3- -5 | |
| 36 | 91.44 | 3- 215308 -6 | |



- NOTES:
- 1 TO DETERMINE DIMENSIONS TAKE 2xN = NR. OF POS.
FOR EXAMPLE: 2x10 POS; N x 2.54 = 25.4mm
FOR ORDER NO: USE BASIC - NR. + NR. OF POS.
FOR EXAMPLE: 2x2POS. = 215308-2 (SHORTEST VERSION)
2x36POS. = 3-215308-6 (LONGEST VERSION)
 - 2 HOUSING MATERIAL: PBT GREEN GLASS FILLED, UL 94V-0
CONTACT MATERIAL: PHOSPHOR BRONZE
 - 3 PLATING 2.5-4.0 μm TIN OVER 0.5 μm NICKEL
 - 4 MATES WITH 0.63 SQUARE/ROUND MODU POSTS
 - 5 CONTACT POINT
 - 6 RECOMMENDED PC BOARD THICKNESS: 1.6mm
 - 7 PC-BOARD RETENTION FEATURE
 - 8 HV100 CONNECTOR PACKED IN ANTI-STATIC BLISTER TRAY

RECOMMENDED PCB LAYOUT



| | | | | | |
|-------------------------------------------------|--|---------------------------|-----------|---------------------------------------------------------------------|--------------------|
| THIS DRAWING IS A CONTROLLED DOCUMENT. | | DWN A.HQ | 24FEB1989 | | |
| | | CHK M.SCHAARSCHMIDT | 24FEB1989 | | |
| DIMENSIONS: mm | | APVD G.FELDMEIER | - | NAME HV100 CONNECTOR VERTICAL, 7.0mm TOP ENTRY, DUAL ROW, TIN | |
| TOLERANCES UNLESS OTHERWISE SPECIFIED: ±0.15 | | PRODUCT SPEC 108-19056 | - | RESTRICTED TO | |
| 0 PLC ± | | APPLICATION SPEC - | - | SIZE A3 | CAGE CODE 00779 |
| 1 PLC ± | | WEIGHT - | - | DRAWING NO C-215308 | |
| 2 PLC ± | | | | SCALE 5:1 | SHEET 1 OF 1 |
| 3 PLC ± | | | | REV E | |
| 4 PLC ± | | | | | |
| ANGLES ± | | | | | |
| MATERIAL 2 | | | | | |
| FINISH 3 | | | | | |