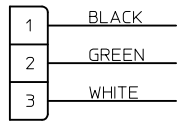
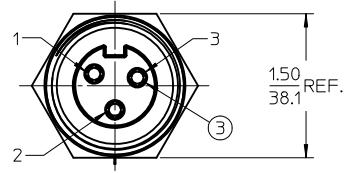
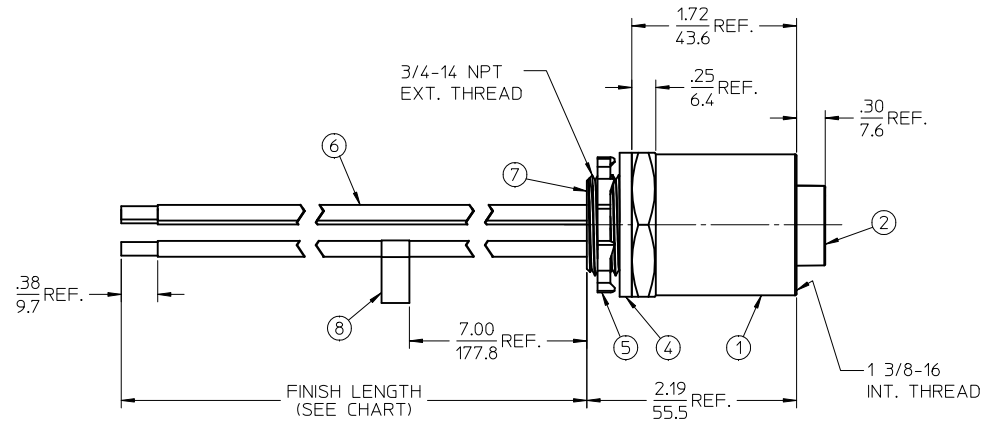
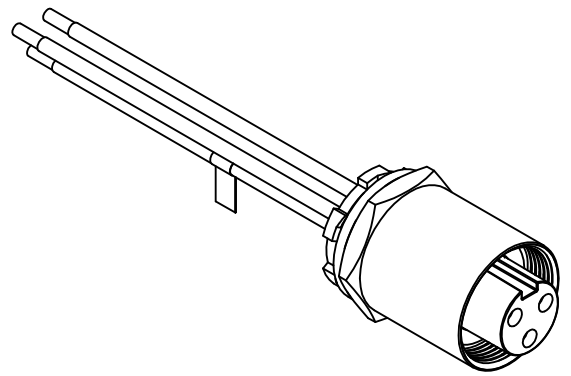
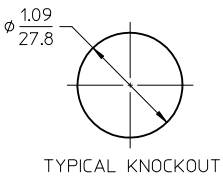


MATERIAL NUMBER	OLD PART NUMBER	FINISH LENGTH
1300660134	CR3C00A30M005	1.64' +1.75'/-0 [0.5M +44.5'/-0]



WIRING DIAGRAM



- NOTES:
1. MATERIAL: SEE TABLE
  2. FINISHES: SEE TABLE
  3. PACKAGING: PART IS PACKED IN POLY BAG.
  4. FLAG LABEL LOCATED ON GREEN WIRE.
  5. MATES WITH: QC 3 POLE MALE CABLE ASSEMBLY.
  6. ELECTRICAL SPECIFICATIONS:  
VOLTAGE RATING: 600V AC/DC  
CURRENT RATING: 30 AMPS

8	1	FLAG LABEL	VINYL	YELLOW
7	A/R	POTTING	EPOXY	BLACK
6	3	#10-1 WIRE THHN	PVC JACKET	SEE WIRING DIAGRAM
5	1	LOCKNUT	STEEL	ZINC PLATED
4	1	GASKET	NEOPRENE	BLACK
3	3	SOCKET CONTACT	COPPER ALLOY	GOLD PLATED
2	1	FEMALE INSERT, 3 POLE	PVC	BLACK
1	1	RECEPTACLE SHELL	ALUMINUM	CLEAR ANODIZED
ITEM	QTY.	DESCRIPTION	MATERIAL	FINISH

INITIAL RELEASE	QUALITY SYMBOLS
EC NO: MNA2010-0433	▽=0
DRWN:CLYORK 2010/01/18	▽=0
CHKD:WOODMAN 2010/01/18	
APPR:DTITUS 2010/01/20	
DESCRIPTION	
REV	

GENERAL TOLERANCES (UNLESS SPECIFIED)
mm INCH
4 PLACES ± --- ± ---
3 PLACES ± --- ± ---
2 PLACES ± --- ± .010
1 PLACE ± 0.3 ± ---
ANGULAR ±1/2°
DRAFT WHERE APPLICABLE MUST REMAIN WITHIN DIMENSIONS

DIMENSION STYLE	SCALE	DESIGN UNITS	THIRD ANGLE PROJECTION
IN/MM	1:1	INCH	
DRAWN BY	DATE	TITLE	
CLYORK	2010/01/18	BRAD POWER FEMALE, 3/4\"/>	
CHECKED BY	DATE		
BWOODMAN	2010/01/18		
APPROVED BY	DATE		
DTITUS	2010/01/20		
MATERIAL NO.	DOCUMENT NO.	SHEET NO.	
SEE CHART	SD-130066-052	1 OF 1	

THIS DRAWING CONTAINS INFORMATION THAT IS PROPRIETARY TO MOLEX INCORPORATED AND SHOULD NOT BE USED WITHOUT WRITTEN PERMISSION