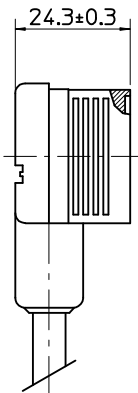
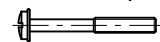
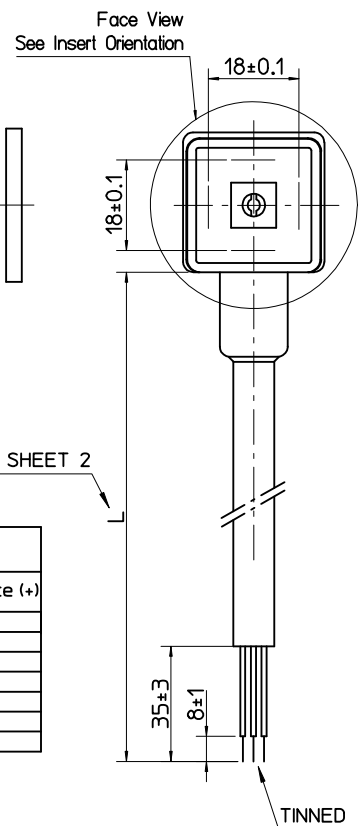


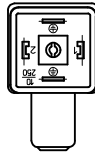
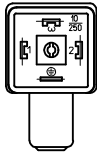



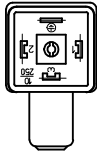
Type of Screw and Gasket, see sheet 2, PN Key



LENGTH SEE SHEET 2

Table of length tolerances [mm]		
Over	Up to and including	Tolerance (+)
0	1000	±20
1000	3000	±30
3000	5000	±40
5000	10000	±50
10000	15000	±100
15000	20000	±150
20000		±L/100

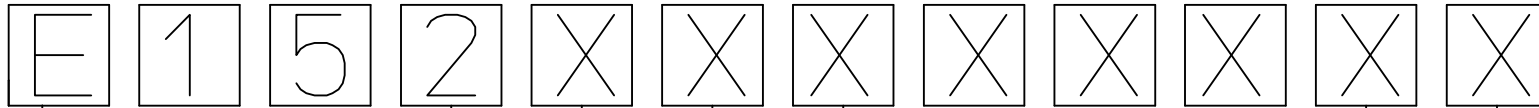


INSERT ORIENTATION	
Housing 2 Poles + 2 Earths	Housing 3 Poles + 1 Earth
Earth H6/H12 E152XXXXXX1X 	Earth H6 E152XXXXXX6X PIN 3 Not Used 
Earth H3/H9 E152XXXXXX4X 	Earth H3 E152XXXXXX3X PIN 3 Not Used 
	Earth H9 E152XXXXXX9X PIN 3 Not Used 
	Earth H12 E152XXXXXX2X PIN 3 Not Used 

WIRING CONFIGURATION	
Housing 2 Poles + 2 Earths	Housing 3 Poles + 1 Earth
Brown (or Black 1) ○ ———— 1 Blue (or Black 2) ○ ———— 2 Green/Yellow (or Black 3) ○ ———— ±	Brown (or Black 1) ○ ———— 1 Blue (or Black 2) ○ ———— 2 Green/Yellow (or Black 3) ○ ———— ± Not used ○ ———— 3

Update Wiring Diagram EC NO: IPG2015-0560 DRWN: JMARSZALEK 2014/09/23 CHKD: PFGAIK 2014/09/23 APPR: MIWASIECZKO 2014/09/24	QUALITY SYMBOLS ▽ = 0 ▽ = 0	GENERAL TOLERANCES (UNLESS SPECIFIED) <table border="1"> <thead> <tr> <th></th> <th>mm</th> <th>INCH</th> </tr> </thead> <tbody> <tr> <td>4 PLACES</td> <td>± ---</td> <td>± ---</td> </tr> <tr> <td>3 PLACES</td> <td>± ---</td> <td>± ---</td> </tr> <tr> <td>2 PLACES</td> <td>± ---</td> <td>± ---</td> </tr> <tr> <td>1 PLACE</td> <td>± ---</td> <td>± ---</td> </tr> <tr> <td>0 PLACE</td> <td>± ---</td> <td>± ---</td> </tr> </tbody> </table>		mm	INCH	4 PLACES	± ---	± ---	3 PLACES	± ---	± ---	2 PLACES	± ---	± ---	1 PLACE	± ---	± ---	0 PLACE	± ---	± ---	DIMENSION STYLE MM ONLY DRAWN BY: JMARSZALEK DATE: 2012/12/12 CHECKED BY: MSZWAJKOWSKI DATE: 2012/12/12 APPROVED BY: MIWASIECZKO DATE: 2013/01/16	SCALE DESIGN UNITS METRIC	THIRD ANGLE PROJECTION
		mm	INCH																				
	4 PLACES	± ---	± ---																				
	3 PLACES	± ---	± ---																				
	2 PLACES	± ---	± ---																				
1 PLACE	± ---	± ---																					
0 PLACE	± ---	± ---																					
B1	DESCRIPTION Update Wiring Diagram	ANGULAR ± --- ° DRAFT WHERE APPLICABLE MUST REMAIN WITHIN DIMENSIONS	MATERIAL NO. See Sheet 2 & 4	TITLE E152XXXXXXX DIN FORM A EN 175301-803	DOCUMENT NO. SD-121040-006																		
			SIZE A3	THIS DRAWING CONTAINS INFORMATION THAT IS PROPRIETARY TO MOLEX INCORPORATED AND SHOULD NOT BE USED WITHOUT WRITTEN PERMISSION	SHEET NO. 1 OF 4																		

PN KEY:



E - Packing without bags
W - Single packing

NUMBER OF WIRES:
2=2 WIRES + EARTH

CABLE TYPE
SEE TABLE 1 - SHEET 3

CABLE CROSS SECTION AREA
SEE TABLE 2 - SHEET 3

HEAD COLOUR:
G=GREY;
N=BLACK;
A=CSA-UL BLACK;
B=CSA-UL GREY.

CABLE LENGHT IN CM
Eg.:050=50 CM, 300=300 CM, 10K=1000 CM.

EARTH PIN LOCATION (SEE INSERT ORIENTATION TABLE):

- 1=DOUBLE EARTH ON 6H AND 12H.
- 2=EARTH ON 12H.
- 6=EARTH ON 6H.
- 4=DOUBLE EARTH ON 3H AND 9H.
- 3=EARTH ON 3H.
- 9=EARTH ON 9H.

TYPE OF GASKET AND SCREW:

- 1=NBR PROFILE GASKET + FIXING SCREWS (M3x25 mm).
- 2=NBR FLAT GASKET + FIXING SCREW (M3x25 mm).
- 3=SILICONE PROFILE GASKET + FIXING SCREW (M3x25 mm).
- 4=SILICON FLAT GASKET + FIXING SCREW (M3x25 mm).
- P=INTEGRATED GASKET+ FIXING SCREW WITH WASHER ASSEMBLED ON CONNECTOR (M3x27 mm).
- R=INTAGRATED GASKET + FIXING SCREW + WASHER NOT ASSEMBLED ON CONNECTOR (M3x27 mm).
- T=PROFILE GASKET + FIXING SCREW + WASHER (M3x27 mm).

See Sheet 1	IEC NO: IPG2015-0560 DRWN: JMARSZALEK 2014/09/23 CHK'D: FGAIK 2014/09/23 APPR: MIWASIECZKO 2014/09/24	QUALITY SYMBOLS ▽=0 ▽=0	GENERAL TOLERANCES (UNLESS SPECIFIED)		DIMENSION STYLE MM ONLY		SCALE 1:1	DESIGN UNITS METRIC	THIRD ANGLE PROJECTION			
				mm	INCH	DRAWN BY JMARSZALEK	DATE 2012/12/12	TITLE E152XXXXXXXXX DIN FORM A EN 175301-803				
			4 PLACES	± ---	± ---	CHECKED BY MSZWAJKOWSKI	DATE 2012/12/12					
			3 PLACES	± ---	± ---	APPROVED BY MIWASIECZKO	DATE 2013/01/16					
2 PLACES	± ---	± ---	ANGULAR ± --- °		MATERIAL NO.		DOCUMENT NO.		SHEET NO.			
1 PLACE	± ---	± ---	DRAFT WHERE APPLICABLE MUST REMAIN WITHIN DIMENSIONS		See Sheet 2 & 4		SD-121040-006		2 OF 4			
0 PLACE	± ---	± ---	THIS DRAWING CONTAINS INFORMATION THAT IS PROPRIETARY TO MOLEX INCORPORATED AND SHOULD NOT BE USED WITHOUT WRITTEN PERMISSION									

TABLE 2 - CABLES

Cable type	Cable code	Wires no.	Cross Section	Jacket material	Jacket color	Diameter Ø [mm]	Wire colors
I	0	3	1 mm ²	PVC CEI 2022 II O.R.	Grey	7.6±0.2	BN, BU, GN/YE
A	2	2	20 AWG	PVC CSA/UL 2661	Black	5.4±0.2	BN, BU
A	2	3	20 AWG	PVC CSA/UL 2661	Black	5.6±0.2	BN, BU, GN/YE
A	2	4	20 AWG	PVC CSA/UL 2661	Black	6.2±0.25	BN, BU, BK, GN/YE
B	2	2	20 AWG	PUR CSA/UL 20668	Black	5.6±0.2	BN, BU
B	2	3	20 AWG	PUR CSA/UL 20668	Black	5.6±0.2	BN, BU, GN/YE
B	2	4	20 AWG	PUR CSA/UL 20668	Black	6.3±0.2	BN, BU, BK, GN/YE
D	2	3	0.5 mm ²	PVC CEI 20-20	Grey	5.5+0.3/-0	BN, BU, GN/YE
I	2	2	0.5 mm ²	PVC CEI 2022 II O.R.	Grey	5.5+0.3/-0	BN, BU
I	2	3	0.5 mm ²	PVC CEI 2022 II O.R.	Grey	5.5+0.3/-0	BN, BU, GN/YE
I	2	4	0.5 mm ²	PVC CEI 2022 II O.R.	Grey	6.5±0.2	BN, BU, BK, GN/YE
I	2	5	0.5 mm ²	PVC CEI 2022 II O.R.	Grey	7.0 +0.3/-0	BN, BU, BK, WH, GN/YE
N	2	2	0.5 mm ²	PVC H03VV-F	Black	5.2±0.2	BN, BU
N	2	3	0.5 mm ²	PVC H03VV-F	Black	5.5±0.2	BN, BU, GN/YE
N	2	4	0.5 mm ²	PVC H03VV-F	Black	5.9±0.3	BN, BU, BK, GN/YE
P	2	2	0.5 mm ²	PUR - BLEND	Black	5.5±0.2	BN, BU
P	2	3	0.5 mm ²	PUR - BLEND	Black	5.5 +0.3/-0	BN, BU, GN/YE
P	2	4	0.5 mm ²	PUR - BLEND	Black	6.5±0.2	BN, BU, BK, GN/YE
P	2	5	0.5 mm ²	PUR - BLEND	Black	7+0.3/-0.1	BN, BU, BK, WH, GN/YE
A	3	2	18 AWG	PVC CSA/UL 2661	Black	6.2±0.25	BN, BU
A	3	3	18 AWG	PVC CSA/UL 2661	Black	6.5±0.25	BN, BU, GN/YE
A	3	4	18 AWG	PVC CSA/UL 2661	Black	7.0+0.3/-0	BN, BU, BK, GN/YE
A	3	5	18 AWG	PVC CSA/UL 2661	Black	7.8±0.25	BN, BU, BK, WH, GN/YE
B	3	2	18 AWG	PUR CSA/UL 20668	Black	6.2±0.2	BN, BU
B	3	3	18 AWG	PUR CSA/UL 20668	Black	6.5±0.2	BN, BU, GN/YE
B	3	4	18 AWG	PUR CSA/UL 20668	Black	7±0.2	BN, BU, BK, GN/YE
B	3	5	18 AWG	PUR CSA/UL 20668	Black	7.8±0.25	BN, BU, BK, WH, GN/YE
D	3	3	0.75 mm ²	PVC CEI 20-20	Grey	6.5±0.2	BN, BU, GN/YE
D	3	4	0.75 mm ²	PVC CEI 20-20	Grey	7.1±0.2	BN, BU, BK, GN/YE
I	3	2	0.75 mm ²	PVC CEI 2022 II O.R.	Grey	5.5±0.2	BK1, BK2
I	3	3	0.75 mm ²	PVC CEI 2022 II O.R.	Grey	6.0±0.2	BK1, BK2, BK3
I	3	4	0.75 mm ²	PVC CEI 2022 II O.R.	Grey	7.0±0.2	BN, BU, BK, GN/YE
N	3	2	0.75 mm ²	PVC H05VV-F	Black	6.2±0.2	BN, BU
N	3	3	0.75 mm ²	PVC H05VV-F	Black	6.5±0.2	BN, BU, GN/YE
N	3	4	0.75 mm ²	PVC H05VV-F	Black	7.1±0.2	BN, BU, BK, GN/YE
N	3	5	0.75 mm ²	PVC H05VV-F	Black	8.0+0.2/-0	BN, BU, BK, GY, GN/YE
P	3	2	0.75 mm ²	PUR - BLEND	Black	6.5±0.2	BN, BU
P	3	3	0.75 mm ²	PUR - BLEND	Black	6.5±0.2	BN, BU, GN/YE
P	3	4	0.75 mm ²	PUR - BLEND	Black	7.0±0.2	BN, BU, BK, GN/YE

TABLE 2 - CABLES

Cable type	Cable code	Wires no.	Cross Section	Jacket material	Jacket color	Diameter Ø [mm]	Wire colors
R	3	3	0.75 mm ²	TPR HAL. FREE	Black	6.5±0.2	BN, BU, GN/YE
T	3	3	0.75 mm ²	PUR CSA/UL 20668	Yellow	6.5±0.2	BN, BU, GN/YE
Y	3	3	0.75 mm ²	SILICONE RUBBER	Red	6.5±0.2	BN, BU, GN/YE
F	4	3	1 mm ²	PVC GNOMO	Grey	7.1+0.2/-0	BK1, BK2, GN/YE
I	4	2	1 mm ²	PVC CEI 2022 II O.R.	Grey	7.1+0.2/-0	BN, BU
I	4	3	1 mm ²	PVC CEI 2022 II O.R.	Grey	7.1+0.2/-0	BN, BU, GN/YE
N	4	2	1 mm ²	PVC H05VV-F	Black	6.5±0.2	BN, BU
N	4	3	1 mm ²	PVC H05VV-F	Black	6.9±0.2	BN, BU, GN/YE
R	4	3	1 mm ²	TPR HAL. FREE	Black	7.1±0.2	BN, BU, GN/YE
N	5	3	1.5 mm ²	PVC H05VV-F	Black	7.9±0.2	BN, BU, GN/YE
I	6	2	0.35 mm ²	PVC CEI 2011	Grey	4.8±0.2	BN, WH
I	9	4	0.75 mm ²	PVC CEI 2022 II	Grey	7.3±0.2	BN, BU, BK, GN/YE

TABLE 1 - CABLES TYPE

Code	Cable types	Features	Cable type Cross section
N	PVC	Application general purpose cable which has good resistance to water, but usually poor oil resistance.	N2=0.5 mm ² N3=0.75 mm ² N4=1 mm ²
I	CEI	Approved to IEC 332-2A, flame retardant and self extinguishing. Limited resistant to mineral oils.	I2=0.5 mm ² I3=0.75 mm ² I4=1 mm ²
P	PUR	Offer good resistance to oil and chemicals. Can swell when constantly immersed in water.	P2=0.5 mm ² P3=0.75 mm ² P4=1 mm ²
A	PVC CSA-UL	Approved to CSA-UL 2661, application general purpose cable which has good resistance to water, but usually poor oil resistance.	A2=20 AWG A3=18 AWG
B	PUR CSA-UL	Approved to CSA-UL 20668, very good resistance to oil and chemicals.	B2=20 AWG B3=18 AWG

Update Table
IEC NO: IPG2015-0560
DRWN: JMARSZALEK 2014/09/23
CHKD: FGAIK 2014/09/23
APPR: MIWASIECZKO 2014/09/24

QUALITY SYMBOLS
▽=0
◁=0

GENERAL TOLERANCES (UNLESS SPECIFIED)

	mm	INCH
4 PLACES	± ---	± ---
3 PLACES	± ---	± ---
2 PLACES	± ---	± ---
1 PLACE	± ---	± ---
0 PLACE	± ---	± ---

ANGULAR ± --- °
DRAFT WHERE APPLICABLE MUST REMAIN WITHIN DIMENSIONS

DIMENSION STYLE
MM ONLY

DRAWN BY	DATE
JMARSZALEK	2012/12/12
CHECKED BY	DATE
MSZWAJKOWSKI	2012/12/12
APPROVED BY	DATE
MIWASIECZKO	2013/01/16

MATERIAL NO.
See Sheet 2 & 4

SCALE
1:1

DESIGN UNITS
METRIC

THIRD ANGLE PROJECTION

TITLE
E152XXXXXXXXX
DIN FORM A
EN 175301-803

molex

DOCUMENT NO.
SD-121040-006

SHEET NO.
3 OF 4

THIS DRAWING CONTAINS INFORMATION THAT IS PROPRIETARY TO MOLEX INCORPORATED AND SHOULD NOT BE USED WITHOUT WRITTEN PERMISSION

10			9			8			7			6			5			4			3			2			1																																																																																																																																																																																																																																																																																																																																																																																																																																																																																																																																																																																												
TABLE 3 - PART LIST																																																																																																																																																																																																																																																																																																																																																																																																																																																																																																																																																																																																																							
Pos.	Molex PN:	Engineering No.:	Pos.	Molex PN:	Engineering No.:	Pos.	Molex PN:	Engineering No.:	Pos.	Molex PN:	Engineering No.:	Pos.	Molex PN:	Engineering No.:	Pos.	Molex PN:	Engineering No.:	Pos.	Molex PN:	Engineering No.:	Pos.	Molex PN:	Engineering No.:	Pos.	Molex PN:	Engineering No.:	Pos.	Molex PN:	Engineering No.:																																																																																																																																																																																																																																																																																																																																																																																																																																																																																																																																																																																										
1	1210400048	E152A3A10011	41	1210400582	E152I2N10011	81	1210400965	E152I4N10K1T	121	1210401360	E152N3N90041	161			2	1210400050	E152A3A30011	42	1210400584	E152A3A20011	82	1210400969	E152N5N3001P	122	1210401361	E152N3N30041	162			3	1210400065	E152I0N10K21	43	1210400585	E152N3N40011	83	1210400970	E152P3N10K1P	123	1210401362	E152N3N65041	163			4	1210400067	E152I2N15011	44	1210400588	E152I2N20011	84	1210400978	E152A3A16011	124	1210401363	E152N3N2001T	164			5	1210400068	E152I2N30011	45	1210400589	E152N3N50011	85	1210400992	E152I2N50021	125	1210401371	E152I4N70011	165			6	1210400073	E152I4N10011	46	1210400591	E152A3A13011	86	1210401014	E152N5N5004P	126	1210401379	E152N2N75011	166			7	1210400076	E152I4N12K41	47	1210400607	E152A3A50011	87	1210401082	W152N4N2001R	127	1210401404	E152I4N0501P	167			8	1210400079	E152I4N16K41	48	1210400614	E152N2N10K11	88	1210401083	W152N3N0601R	128	1210401410	E152N4N1501P	168			9	1210400080	E152I4N20011	49	1210400644	E152N2N20011	89	1210401101	W152P3N2001R	129	1210401412	E152I2N25011	169			10	1210400082	E152I4N30011	50	1210400649	E152I2N50011	90	1210401102	W152N3N7001R	130	1210401422	E152B2A30041	170			11	1210400083	E152I4N30041	51	1210400666	E152N3N35011	91	1210401103	W152N3N5001R	131	1210401423	E152B2A60041	171			12	1210400084	E152I4N50011	52	1210400677	E152N3N50041	92	1210401104	W152N3N2001R	132	1210401434	E152I2N05014	172			13	1210400085	E152I4N50041	53	1210400680	E152A3A10K11	93	1210401107	W152N3N2501R	133	1210401443	E152R4N8001P	173			14	1210400086	E152I4N90041	54	1210400681	E152N4N20011	94	1210401113	W152N3N3001R	134	1210401456	E152I4N40011	174			15	1210400091	E152N2N05011	55	1210400731	E152N3N2001P	95	1210401121	W152A3A11K1R	135	1210402450	E152A2A10011	175			16	1210400092	E152N2N10011	56	1210400741	E152N4N30011	96	1210401124	W152P2N1501P	136	1210402451	E152A2A10K11	176			17	1210400096	E152N2N30011	57	1210400754	E152P3N1501P	97	1210401125	W152N3N12K1R	137	1210402452	E152A2A15011	177			18	1210400104	E152N2N40011	58	1210400781	E152N3N5001R	98	1210401126	E152P2G3001P	138	1210402453	E152A2A30011	178			19	1210400107	E152N2N50011	59	1210400782	E152N3N3001R	99	1210401127	E152P2N3001P	139	1210402454	E152A2A50011	179			20	1210400115	E152N3N30011	60	1210400783	E152N3N2001R	100	1210401132	E152P3N10K11	140	1210402455	E152A3A15011	180			21	1210400116	E152N3N03511	61	1210400794	E152N2N2001P	101	1210401151	E152P2N10K11	141	1210402456	E152B2A10011	181			22	1210400120	E152N3N05011	62	1210400798	E152A2A20011	102	1210401210	W152N3N1001R	142	1210402457	E152B2A10K11	182			23	1210400127	E152N3N06011	63	1210400814	E152N3N1001P	103	1210401218	E152A3A19011	143	1210402458	E152B2A15011	183			24	1210400134	E152N3N07511	64	1210400815	E152N3N3001P	104	1210401235	E152N3N75011	144	1210402459	E152B2A20011	184			25	1210400135	E152N3N07521	65	1210400816	E152N3N5001P	105	1210401240	E152N2N08541	145	1210402460	E152B2A30011	185			26	1210400140	E152N3N10011	66	1210400817	E152P3N1001P	106	1210401262	E152I2G1251P	146	1210402461	E152B2A50011	186			27	1210400142	E152N3N10021	67	1210400818	E152P3N3001P	107	1210401275	E152P3N10011	147	1210402462	E152B3A10K11	187			28	1210400146	E152N3N10K11	68	1210400819	E152P3N5001P	108	1210401276	E152P3N20011	148	1210402463	E152B3A15011	188			29	1210400149	E152N3N15011	69	1210400835	E152N3N1501R	109	1210401277	E152P3N50011	149	1210402464	E152I2N10K11	189			30	1210400155	E152N3N15K11	70	1210400839	E152A3A5001P	110	1210401278	E152P3N60011	150	1210402465	E152I4N10K11	190			31	1210400159	E152N3N20011	71	1210400852	E152I4N40024	111	1210401279	E152B3A10011	151	1210402466	E152I4N15011	191			32	1210400161	E152N3N20021	72	1210400893	E152N3N20023	112	1210401280	E152B3A20011	152	1210402467	E152N2N15011	192			33	1210400163	E152N3N20061	73	1210400918	E152N3N5004T	113	1210401281	E152B3A30011	153	1210402468	E152N4N10011	193			34	1210400165	E152N3N25011	74	1210400923	E152A3A06511	114	1210401282	E152B3A50011	154	1210402469	E152N4N10K11	194			35	1210400168	E152N3N30011	75	1210400925	E152A2A05011	115	1210401283	E152B3A60011	155	1210402470	E152N4N15011	195			36	1210400171	E152P2N10011	76	1210400930	E152N2N2004P	116	1210401331	E152N3G2001P	156	1210402471	E152N4N50011	196			37	1210400172	E152P2N20011	77	1210400933	E152A3A05511	117	1210401332	E152N3G3001P	157	1210402472	E152P2N15011	197			38	1210400176	E152P2N50011	78	1210400942	E152N3N13011	118	1210401338	E152N3N60011	158	1210402473	E152P2N30011	198			39	1210400178	E152P3N05011	79	1210400958	E152I4N60011	119	1210401358	E152N3N16K41	159	1210402474	E152P3N15011	199			40	1210400181	E152P3N30011	80	1210400960	E152I4N5001T	120	1210401359	E152N3N12K41	160	1210407666	E152B2A70041	200		

QUALITY SYMBOLS 	GENERAL TOLERANCES (UNLESS SPECIFIED)	DIMENSION STYLE MM ONLY	SCALE 1:1	DESIGN UNITS METRIC	THIRD ANGLE PROJECTION																																				
	<table border="1"> <tr> <th></th> <th>mm</th> <th>INCH</th> </tr> <tr> <td>4 PLACES</td> <td>± ---</td> <td>± ---</td> </tr> <tr> <td>3 PLACES</td> <td>± ---</td> <td>± ---</td> </tr> <tr> <td>2 PLACES</td> <td>± ---</td> <td>± ---</td> </tr> <tr> <td>1 PLACE</td> <td>± ---</td> <td>± ---</td> </tr> <tr> <td>0 PLACE</td> <td>± ---</td> <td>± ---</td> </tr> </table>		mm	INCH	4 PLACES	± ---	± ---	3 PLACES	± ---	± ---	2 PLACES	± ---	± ---	1 PLACE	± ---	± ---	0 PLACE	± ---	± ---	<table border="1"> <tr> <th>DRAWN BY</th> <th>DATE</th> <th>TITLE</th> </tr> <tr> <td>JMARSZALEK</td> <td>2012/12/12</td> <td>E152XXXXXXXXX DIN FORM A EN 175301-803</td> </tr> <tr> <th>CHECKED BY</th> <th>DATE</th> <td></td> </tr> <tr> <td>MSZWAJKOWSKI</td> <td>2012/12/12</td> <td></td> </tr> <tr> <th>APPROVED BY</th> <th>DATE</th> <td></td> </tr> <tr> <td>MIWASIECZKO</td> <td>2013/01/16</td> <td></td> </tr> </table>	DRAWN BY	DATE	TITLE	JMARSZALEK	2012/12/12	E152XXXXXXXXX DIN FORM A EN 175301-803	CHECKED BY	DATE		MSZWAJKOWSKI	2012/12/12		APPROVED BY	DATE		MIWASIECZKO	2013/01/16				
		mm	INCH																																						
	4 PLACES	± ---	± ---																																						
3 PLACES	± ---	± ---																																							
2 PLACES	± ---	± ---																																							
1 PLACE	± ---	± ---																																							
0 PLACE	± ---	± ---																																							
DRAWN BY	DATE	TITLE																																							
JMARSZALEK	2012/12/12	E152XXXXXXXXX DIN FORM A EN 175301-803																																							
CHECKED BY	DATE																																								
MSZWAJKOWSKI	2012/12/12																																								
APPROVED BY	DATE																																								
MIWASIECZKO	2013/01/16																																								
ANGULAR ±---° DRAFT WHERE APPLICABLE MUST REMAIN WITHIN DIMENSIONS	MATERIAL NO. See Sheet 2 & 4	DOCUMENT NO. SD-121040-006	SHEET NO. 4 OF 4																																						
THIS DRAWING CONTAINS INFORMATION THAT IS PROPRIETARY TO MOLEX INCORPORATED AND SHOULD NOT BE USED WITHOUT WRITTEN PERMISSION																																									