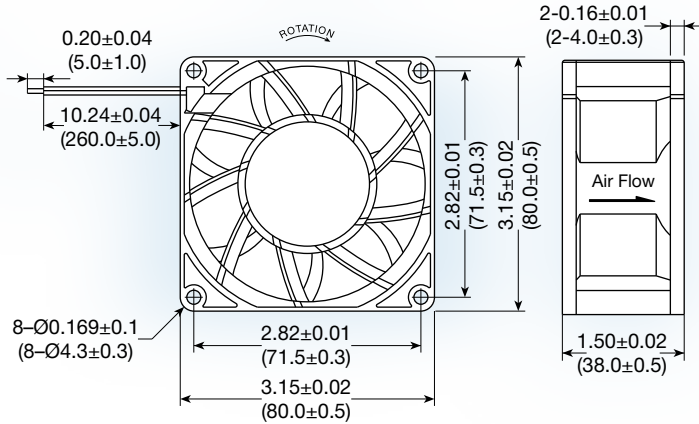
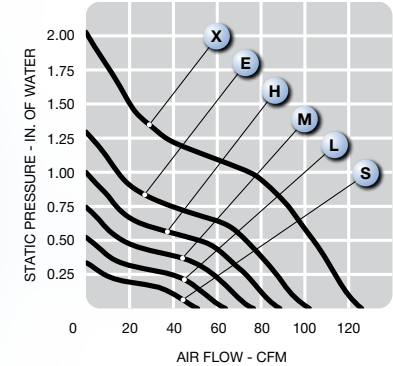


# MR8038 series



**(80 x 80 x 38 mm)**

3.15 x 3.15 x 1.50 inches



- Features:** soft start, polarity protection, auto-restart
- Operating Voltage:** 12 or 24 VDC
- Construction:** UL94V-0 plastic impeller and frame
- Bearing option:** ball bearing or sleeve
- Air Flow:** air exhaust over struts
- Options:** tachometer output or locked rotor alarm signal; PWM speed control

| Model No.       | Rated Voltage VDC | Current A |      | Speed RPM | Air Volume           |        | Max. Static Pressure (H <sub>2</sub> O) |      | Sound Noise dbA | Weight g |
|-----------------|-------------------|-----------|------|-----------|----------------------|--------|-----------------------------------------|------|-----------------|----------|
|                 |                   | 12        | 24   |           | M <sup>3</sup> /Min. | CFM    | MM                                      | INCH |                 |          |
| <b>MR8038S*</b> | 12/24             | 0.26      | 0.13 | 4,000     | 1.45                 | 51.23  | 8.49                                    | 0.33 | 39              | 153      |
| <b>MR8038L</b>  | 12/24             | 0.38      | 0.16 | 5,000     | 1.80                 | 63.72  | 13.14                                   | 0.51 | 45              | 153      |
| <b>MR8038M</b>  | 12/24             | 0.66      | 0.33 | 6,000     | 2.16                 | 76.22  | 18.80                                   | 0.74 | 50              | 153      |
| <b>MR8038H</b>  | 12/24             | 1.00      | 0.50 | 7,000     | 2.51                 | 88.72  | 25.46                                   | 1.00 | 56              | 153      |
| <b>MR8038E</b>  | 12/24             | 1.24      | 0.62 | 8,000     | 2.86                 | 101.21 | 33.15                                   | 1.31 | 59              | 153      |
| <b>MR8038X</b>  | 24                | -         | 1.20 | 10,000    | 3.57                 | 126.21 | 51.54                                   | 2.03 | 65              | 153      |

\*This speed not UL recognized

