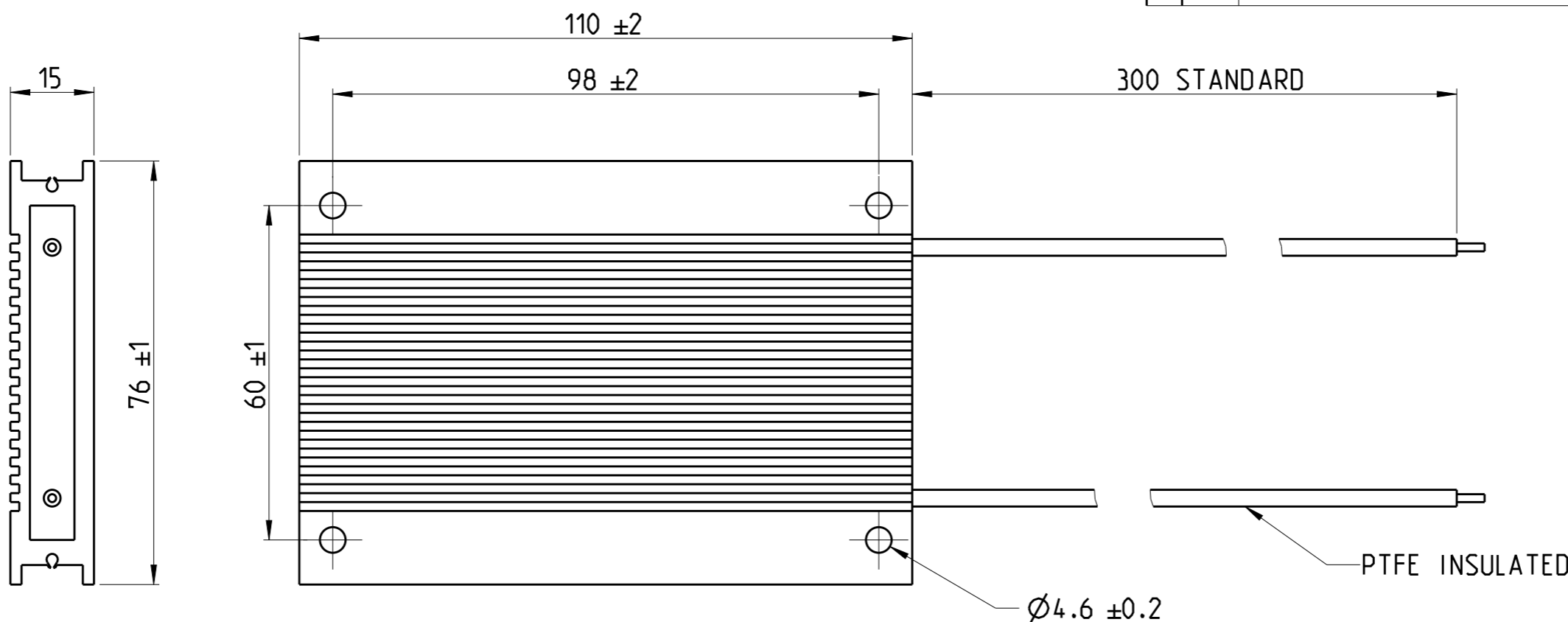


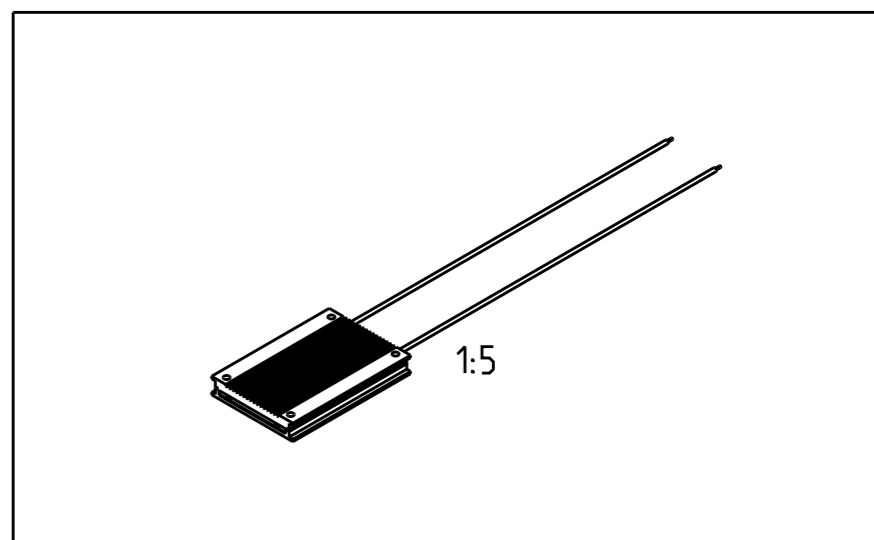
© 2019 TE Connectivity. All Rights Reserved.

REVISIONS

P	LTR	DESCRIPTION	DATE	DWN	APVD
	A	INITIAL RELEASE	04MAR2020	SR	AP



NOTE 1: FOR FURTHER INFORMATION PLEASE SEE DATASHEET FOR ALUMINIUM HOUSED BRAKING RESISTOR - TYPE HCF SERIES



THIS DRAWING IS A CONTROLLED DOCUMENT.		DWN SUPREETH R	04MAR2020		
		CHK A. PILE	04MAR2020		
		APVD A. PILE	04MAR2020	NAME ALUMINIUM HOUSED BRAKING RESISTOR -TYPE HCF110	
DIMENSIONS: mm		TOLERANCES UNLESS OTHERWISE SPECIFIED:		SIZE A3	
		0 PLC	±	CAGE CODE	00779
		1 PLC	±	DRAWING NO	C-2176443
		2 PLC	±	RESTRICTED TO	
		3 PLC	±		
		4 PLC	±		
		ANGLES	±		
MATERIAL		FINISH		SCALE 1:1	
				SHEET 1 OF 1	
				REV A	
				CUSTOMER DRAWING	