

1

2

3

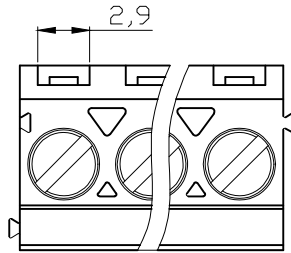
4

5

6

7

A



Order code  
A-TB500-VJxxH-x

Insulator Color option  
Blank Green  
OG Orange ③  
Pin count

## Material

- 1.Terminal housing: Thermoplastic (UL94V-0).  
Color as showed in order code
- 2.Clamp:Brass, Ni plated
- 3.Wire guard solder pin: Brass, tin plated
- 4.Terminal screw:Steel Zinc plating"-slot type

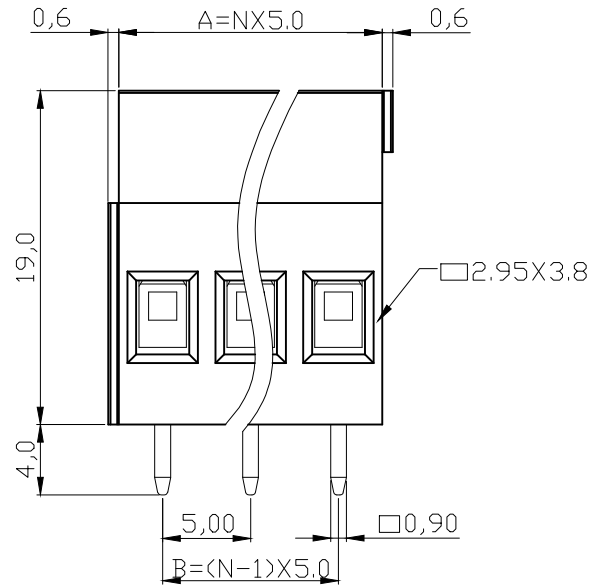
Electrical cULus VDE  
Voltage rating: 300VAC / 450VAC  
Current rating: 20A / 24A  
Wire range: 0.2-2.5mm<sup>2</sup>  
Solid wire(AWG): 12-30  
Stranded wire(AWG): 12-30  
Torque: 3.5 Lb-In / 0.5 N.m  
Screw:M3  
Wire strip length:6-7mm  
Withstanding Voltage: 1.6KV / 2.5KV  
Operating temperature: -40°C to +115°C  
Soldering temperature: 250°C±10°C/5 Sec  
Safety Approval:

B

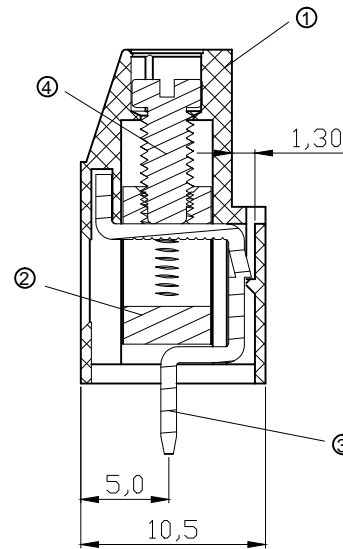
B

C

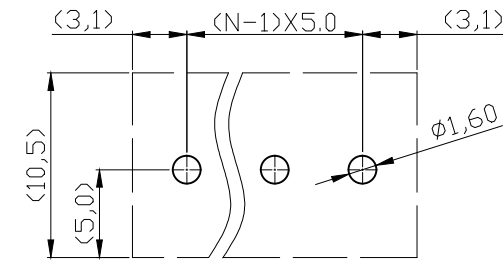
C



N=Number of contacts



Poles	DIM A&B
2-4P	±0,15
5-8P	±0,25
9-16P	±0,35
17-24P	±0,40



P.C.B LAYOUT

RoHS compliant

Unit: mm



File No.: E349947

Scale	1:1	Date	27.05.2009	Name	Dean	Customer-No.	
TOLERANCE		Drawn	27.05.2009	Dean	ASSMANN WSW-No.		
X.	±0.50	Approved	18.04.2016	Joanna	A-TB500-VJxxH-x		
X.X	±0.30	③	30.07.2019	Xavier	Drawing-No.		
X.XX	±0.10	②	18.04.2016	Joanna	ASS 3524 CO		rev03
DIM	TOL	①	27.05.2009	Dean	Replace		Sheet 1/1
X.°	±1°	Id.	Modification	Date	Name		
X.X°	±X°						
Angle	TOL						

H

H

1

2

3

4

5

6

7

SV4731