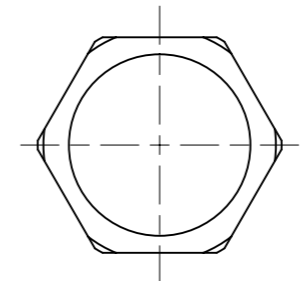


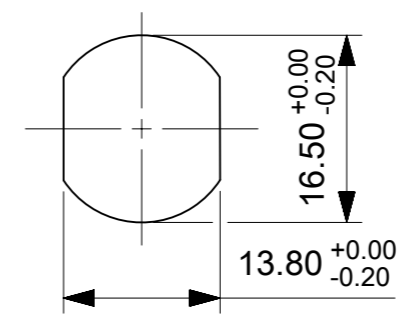
GENERAL CHARACTERISTICS		STANDARD	
No. OF CONTACTS	IEC 947-5-2	12	
RATED VOLTAGE	IEC 664	30V AC/DC	
POLLUTION DEGREE	IEC 664	3	
CURRENT CARRYING CAPACITY	IEC 512-3 TEST 5b	1.5A	
CONTACT RESISTANCE	IEC 512-2 TEST 2 A	< 5 mOhm	
RATED IMPULSE WITHSTAND VOLTAGE	IEC 664	0.8 kV	
TEST VOLTAGE	IEC 60512-2 TEST 4 A	0.5kV/60 sec	
INSULATION RESISTANCE	IEC 512-2 TEST 3 A	> 100 MOhm	
IP DEGREE OF PROTECTION	IEC 529	IP 67	
PIN DIAMETER		0.6 mm	
TERMINATION		CRIMP	
FLAMMABILITY	INSERTS	UL 94	V-0
	CABLES		VDE 0472/804
MECHANICAL OPERATION		100 MATING CYCLES	
TEMPERATURE RANGE	IEC 60668-1	-25°C/+90°C	

WIRING DIAGRAM

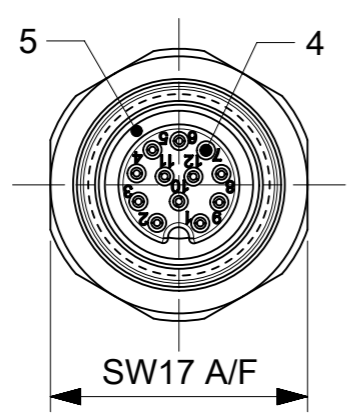
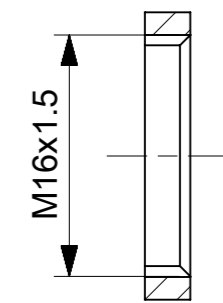
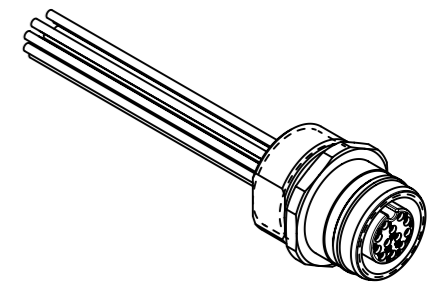
- 1) WHITE
- 2) BROWN
- 3) GREEN
- 4) YELLOW
- 5) GREY
- 6) PINK
- 7) BLUE
- 8) RED
- 9) BLACK
- 10) VOILET
- 11) GREY/PINK
- 12) RED/BLUE



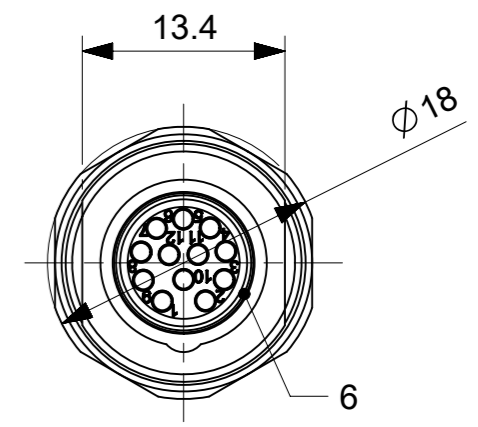
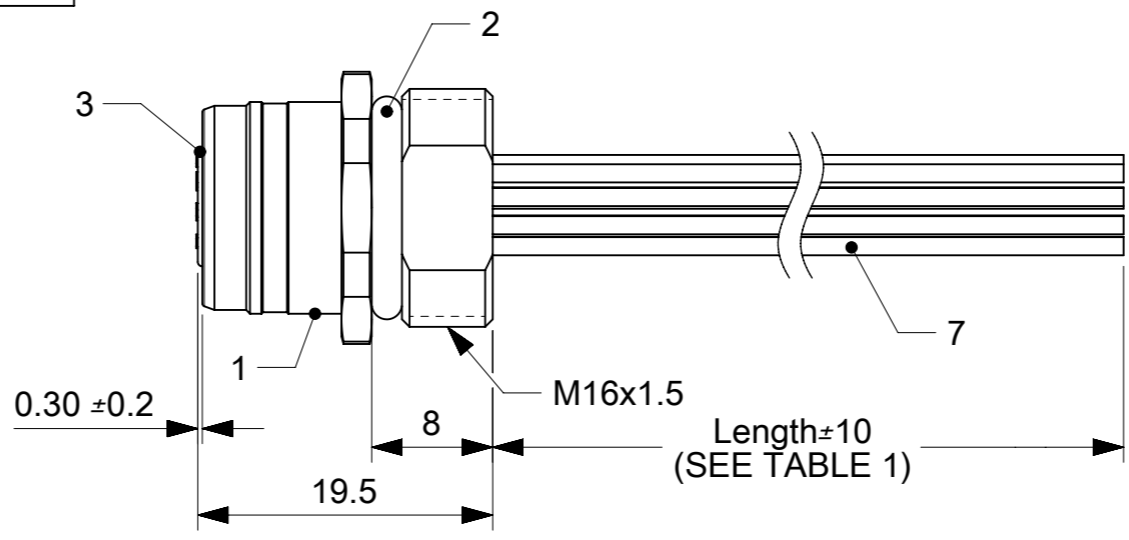
LOCK NUT M16x1.5
(NEEDS TO BE ORDER SEPARATE)



PANEL CUTOUT



VIEW FROM FRONT SIDE



VIEW FROM WIRE SIDE

ITEM	QTY.	DESCRIPTION	MATERIAL	FINISH/COLOR
1	1	UL.M12(FE)XM16(M)FRONT PANEL	BRASS	Ni-PLATED
2	1	O-RING	NBR	BLACK
3	1	INSERT M12 FEMALE	PUR	BLACK
4	12	M12 FEMALE CONTACT	BRASS	Cu/Ni3bAuCo0.6
5	1	GASKET OR	FPM	RED
6	1	SHELL FEMALE SHIELD	BRASS	Ni-PLATED
7	12	WIRES	-	-
8	-	ADH PUR 2K HARD WEVONAT 300M BN V0	-	-
9	-	ADH PUR 2K WEVO CASTING RESIN PU552FL/10	-	-

TABLE 1

PART-NUMBER	ENGINEERING.NO	LENGTH
1200845012	WRCU20E01C200	200mm
1200845013	WRCU20E01C300	300mm

SYMBOLS ▽ = 0 ▽ = 0 ▽ = 0 ▽ = 0 ▽ = 0 ▽ = 0 ▽ = 0 ▽ = 0 ▽ = 0 ▽ = 0	THIS DRAWING CONTAINS INFORMATION THAT IS PROPRIETARY TO MOLEX ELECTRONIC TECHNOLOGIES, LLC AND SHOULD NOT BE USED WITHOUT WRITTEN PERMISSION DIMENSION UNITS: mm SCALE: (UNLESS SPECIFIED) GENERAL TOLERANCES (UNLESS SPECIFIED): 4 PLACES ± 0.3 3 PLACES ± 0.3 2 PLACES ± 0.3 1 PLACE ± 0.3 0 PLACES ± 0.3 ANGULAR TOL ± 1.0° DRAFT WHERE APPLICABLE MUST REMAIN WITHIN DIMENSIONS	CURRENT REV DESC: EC NO: 178263 DRWN: SSM 2018/05/22 CHK'D: SSM 2018/06/20 APPR: RSILLER 2018/06/22 INITIAL REVISION: DRWN: BBRAUCH 2012/01/23 APPR: REISSNER 2012/02/15 THIRD ANGLE PROJECTION DRAWING: A3-SIZE SERIES: 120084 MATERIAL NUMBER: SEE TABLE 1 CUSTOMER: GENERAL MARKET SHEET NUMBER: 1 OF 1	 REC U12 12P AC FE 0.3M M16 FM WIR SE SHD PRODUCT CUSTOMER DRAWING DOCUMENT NUMBER: 1200845013 DOC TYPE: PSD DOC PART: 000 REVISION: A
---	---	---	--

PART LIST

4 POLE VERSIONS

MOLEX P/N	ENGINEERING NR.	L [mm]	TOL
1200845107	WR4U20E03C3003	300	±10
1200250006	WR4U20E03C300	300	±10
1200848085	WR4U20E03C500	500	±10
1200848242	WR4U20E03M0203	2000	±10

5 POLE VERSIONS


MOLEX P/N	ENGINEERING NR.	L [mm]	TOL	PIN 5
1200845113	WR5U20E03C3003	300	±10	GN/YE
1200848027	WR5U20E03C500	500	±10	GN/YE
1200848037	WR5U20E03M020	2000	±10	GREY
1200848124	WR5U20E03M010	1000	±10	GN/YE

8 POLE VERSIONS

MOLEX P/N	ENGINEERING NR.	L [mm]	TOL
1200845002	WR8U20E02M010	1000	±10
1200845095	WR8U20E02C300	300	±10

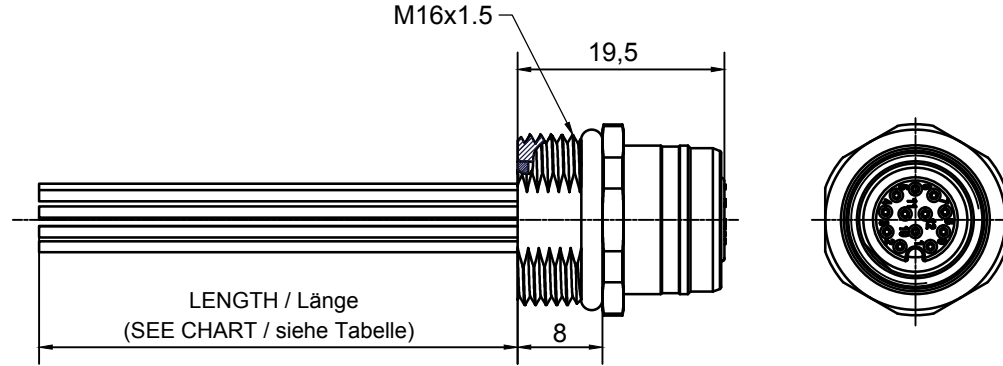
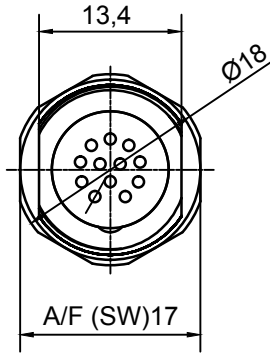
12 POLE VERSIONS

MOLEX P/N	ENGINEERING NR.	L [mm]	TOL
1200845012	WRCU20E01C200	200	±10
1200845013	WRCU20E01C300	300	±10

SYMBOLS ▽ = 0 ▽ = 0 ▽ = 0 ▽ = 0 ▽ = 0 ▽ = 0 ▽ = 0 ▽ = 0 ▽ = 0 ▽ = 0	THIS DRAWING CONTAINS INFORMATION THAT IS PROPRIETARY TO MOLEX ELECTRONIC TECHNOLOGIES, LLC AND SHOULD NOT BE USED WITHOUT WRITTEN PERMISSION		CURRENT REV DESC: NEW P/N ADDED					
	DIMENSION UNITS	SCALE						REC U12 XP AC FE XM M16 FM WIR BRA AU
	mm	1:1						
	GENERAL TOLERANCES (UNLESS SPECIFIED)					PRODUCT CUSTOMER DRAWING		
	ANGULAR TOL ± 1.0°					DOCUMENT NUMBER		
	4 PLACES ±					1200845107		
	3 PLACES ±					DOC TYPE		
	2 PLACES ± 0.05					PSD		
	1 PLACE ± 0.3					DOC PART		
	0 PLACES ± 0.5					000		
DRAFT WHERE APPLICABLE MUST REMAIN WITHIN DIMENSIONS					REVISION			
THIRD ANGLE PROJECTION					A6			
DRAWING					SHEET NUMBER			
A3-SIZE					3 OF 3			
SERIES					MATERIAL NUMBER			
120084					SEE PART LIST			
CUSTOMER					GENERAL MARKET			

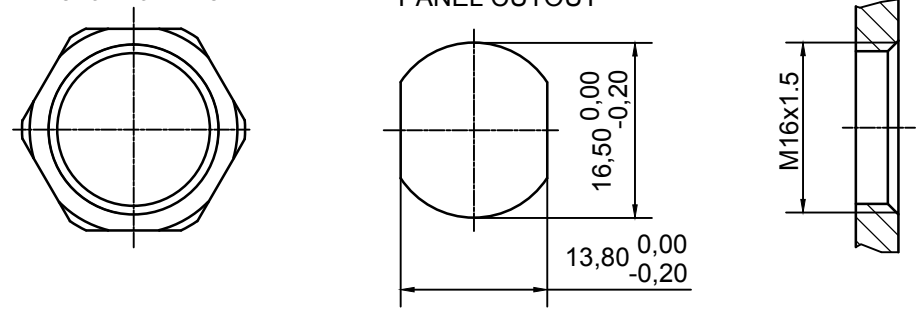
WIRING DIAGRAM

- 1 WH - WHITE
- 2 BN - BROWN
- 3 GN - GREEN
- 4 YE - YELLOW
- 5 GY - GREY
- 6 PK - PINK
- 7 BU - BLUE
- 8 RD - RED
- 9 BK - BLACK
- 10 VT - VIOLET
- 11 GYPK - GREY/PINK
- 12 RDBU - RED/BLUE

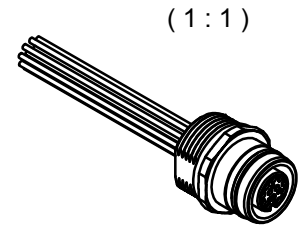


LOCK NUT M16x1.5
P/N: 0900 00090 00010
 LOCK NUT NEEDS TO BE ORDER SEPARATE

PANEL CUTOUT



PART-NUMBER	ENGINEERING NO.	LENGTH
Teile-Nummer	Artikel-Nummer	Länge
1200845012	WRCU20E01C200	200 mm
1200845013	WRCU20E01C300	300 mm



GENERAL CHARACTERISTICS				STANDARD	
Allgemeine Kennwerte				Norm	
NUMBER OF CONTACTS	Polzahl	IEC 947-5-2	12		
CONTACT CONFIGURATION	Kontaktanordnung				
RATED VOLTAGE	Bemessungsspannung	IEC 664	30V AC / DC		
POLLUTION DEGREE	Verschmutzungsgrad	IEC 664	3		
CURRENT CARRYING CAPACITY	Betriebsstrom	IEC 512-3 Test 5 b	1,5A		
CONTACT RESISTANCE	Durchgangswiderstand	IEC 512-2 Test 2 A	< 5mOhm		
RATED UMPULSE WITHSTAND VOLTAGE	Bemessungsstoßspannung	IEC 664	0,8 kV		
TEST VOLTAGE	Prüfspannung	IEC 60512-2 Test 4 A	0,5 kV / 60 sec		
INSULATION RESISTANCE	Isolationswiderstand	IEC 512-2 Test 3 A	> 100 MOhm		
IP DEGREE OF PROTECTION	IP - Schutzart	IEC 529	IP 67		
PIN DIAMETER	Stift Durchmesser		0,6mm		
MATERIALS	CONTACTS	Werkstoffe	Kontakte	COPPER ALLOY / Kupferlegierung	
	CONTACTS PLATING		Kontaktoberfläche	Ni/Au	
	DIELECTRIC MATERIAL		Kontaktträger	PA 6.6	
	GASKETS (O-RING)		Dichtung (O-Ring)	NBR	
	HOUSING		Gehäuse	CuZn (BRASS) WTH/mit NICKEL-PLATED / Ni-Oberfläche	
TERMINATION	Anschlußart		CRIMP		
FLAMM- ABILITY	INSERTS	Brenn- barkeit	Kontaktträger	UL 94	V-0
	CABLE		Leitung / Kabel		VDE 0472 / 804
MECHANICAL OPERATION	Mechanische Lebensdauer		100 MATING CYCLES / Steckzyklen		
TEMPERATURE RANGE	Temperaturbereich	IEC 60668-1	-25°C / +90°C		

DESCRIPTION	QUALITY SYMBOLS	GENERAL TOLERANCES (UNLESS SPECIFIED)		DIMENSION STYLE		SCALE	DESIGN UNITS	THIRD ANGLE PROJECTION
		mm	INCH	MM ONLY				
DESCRIPTION EC NO: IPG2012-0277 DRWN: BBRAUCH 2012/01/23 CHKD: REISSNER APPR: REISSNER 2012/02/15		4 PLACES	±---	±---	±---	DRAWN BY BBRAUCH	DATE 2012/01/23	REC U12 12P AC FE STR XM M16 WIR SE SHLD BK ---- MOLEX INCORPORATED DOCUMENT NO. SD-120084-142 SHEET NO. 1 OF 1
		3 PLACES	±---	±---	±---			
		2 PLACES	±---	±---	±---	REISSNER	2012/01/24	
		1 PLACE	±0.3	±---	±---	APPROVED BY	DATE	
		ANGULAR		± 1°		REISSNER	2012/02/15	
		DRAFT WHERE APPLICABLE MUST REMAIN WITHIN DIMENSIONS		see table		MATERIAL NO.		
1	REV	SIZE A3		THIS DRAWING CONTAINS INFORMATION THAT IS PROPRIETARY TO MOLEX INCORPORATED AND SHOULD NOT BE USED WITHOUT WRITTEN PERMISSION				