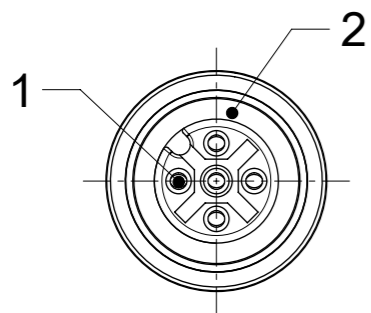
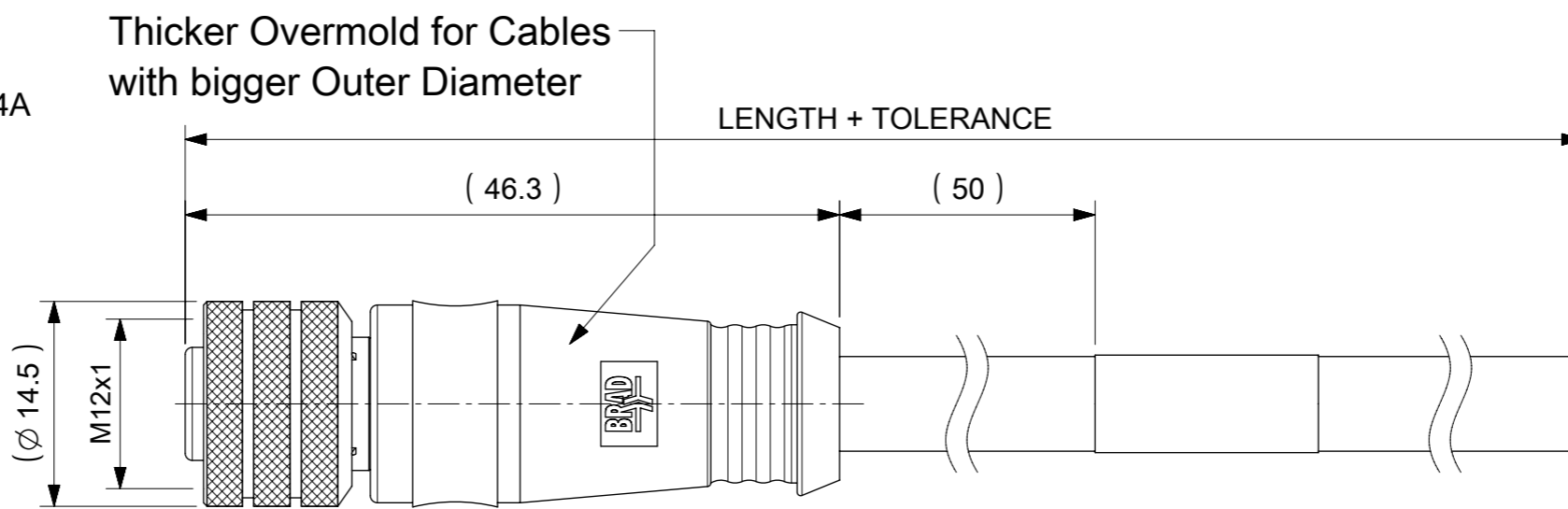
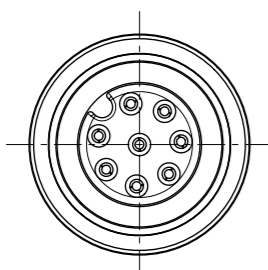


FEMALE PLUG M12 STRAIGHT



NOTES:

RATED VOLTAGE: 3, 4 contacts 250V
 5 contacts 60V
 8 contacts 30V
 RATED CURRENT: 3, 4, 5 contacts 4A
 8 contacts 2A
 PROTECTION CLASS: IP 67
 TEMPERATURE: -25°C / +85°C



For Shielded Cables testing ends are cut off after test

CONTACTS POSITION FRONT VIEW:

| 3 CONTACTS | | 4 CONTACTS | | 5 CONTACTS | | 8 CONTACTS | |
|------------|-----------------------|------------|-------|------------|----------------------|------------|--------|
| | | | | | | | |
| PIN | WIRE | PIN | WIRE | PIN | WIRE | PIN | WIRE |
| 1 | BROWN | 1 | BROWN | 1 | BROWN | 1 | WHITE |
| 2 | --- | 2 | WHITE | 2 | WHITE | 2 | BROWN |
| 3 | BLUE | 3 | BLUE | 3 | BLUE | 3 | GREEN |
| 4 | BLACK OR YELLOW/GREEN | 4 | BLACK | 4 | BLACK | 4 | YELLOW |
| 5 | --- | 5 | --- | 5 | GREY OR YELLOW/GREEN | 5 | GREY |
| | | | | | | 6 | PINK |
| | | | | | | 7 | BLUE |
| | | | | | | 8 | RED |

FOR OPTIONS SEE - NUMERICAL CODE - ON SHEET 2

| ITEM | QTY. | DESCRIPTION | MATERIAL | FINISH |
|------|---------------|-------------------------|-------------|----------------------|
| 7 | 1 | LABEL YELLOW | VINYL | --- |
| | - | PRINTING FOR CABLES lxx | --- | --- |
| 6 | - | CABLE | SEE SHEET 2 | --- |
| 5 | - | OVERMOLDING BLACK | TPU | --- |
| 4 | 1 | COUPLING NUT FEMALE | BRASS | NICKEL |
| 3 | 1 | INSERT FEMALE BLACK | PUR | --- |
| 2 | 1 | ORING RED | FPM | --- |
| 1 | 3 / 4 / 5 / 8 | CONTACT M12 FEMALE | BRASS | SELECTIVE Au OVER Ni |

THIS DRAWING CONTAINS INFORMATION THAT IS PROPRIETARY TO MOLEX ELECTRONIC TECHNOLOGIES, LLC AND SHOULD NOT BE USED WITHOUT WRITTEN PERMISSION

DIMENSION UNITS: mm SCALE: 2:1

GENERAL TOLERANCES (UNLESS SPECIFIED): ANGULAR TOL ± 1.0°

4 PLACES ± ...
 3 PLACES ± ...
 2 PLACES ± 0.05
 1 PLACE ± 0.3
 0 PLACES ± 0.5

EC NO: 726454
 DRWN: LIKITV 2022/09/28
 CHK'D: GGA 2022/11/30
 APPR: GGA 2022/11/30

INITIAL REVISION:
 DRWN: JMARSZALEK 2016/01/12
 APPR: RSILLER 2016/04/08

DOCUMENT NUMBER: 1200658605
 DOC TYPE: PSD
 DOC PART: 000
 REVISION: A6

THIRD ANGLE PROJECTION
 DRAWING: A3-SIZE
 SERIES: 120065
 MATERIAL NUMBER: SEE PART LIST
 CUSTOMER: GENERAL MARKET
 SHEET NUMBER: 1 OF 4

DOCUMENT STATUS: P1 RELEASE DATE: 2022/11/30 11:33:45

ENGINEERING NO. - NUMERICAL CODE (Available parts see PART LIST table. Others on request).

8 0 X 0 0 0 X X X X X X X X X

80=M12x1
Single ended

Contacts:
3=3 Contacts
4=4 Contacts
5=5 Contacts
8=8 Contacts

Heads style:
000=Plug Female Straight

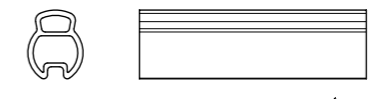
Cable type: See Table

Units:
M=Meter
C=Centimeter

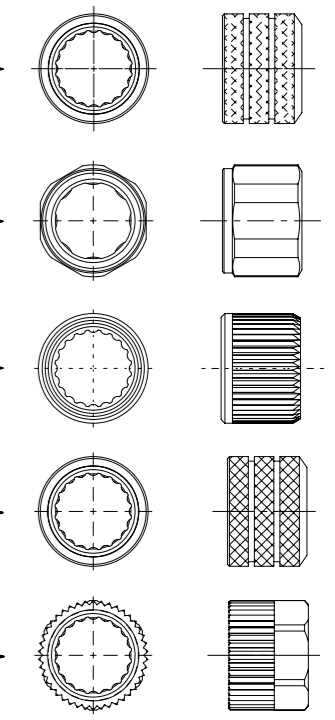
Length
Examples:
005=0.5 unit
010=1 unit
100=10 units

Overmold color:
Blank (Standard)=Black TPU
Blank=Yellow TPU for cables A09,S19,S20,S26
Blank=Yellow TPE-E for cables K03,K05
A=Grey / G=Black / Y=Yellow

Coupling Nut:
Blank (Standard) & 3=Knurled Brass Ni Plated
1=Hexagonal Stainless steel
5=Knurled Derlin
7=Knurled Brass Ni Plated, Teflon Coated
Blank=7 for cables I20, I26, K03, K05, P82, S26
9=Knurled / Hexagonal Brass Ni Plated SW13

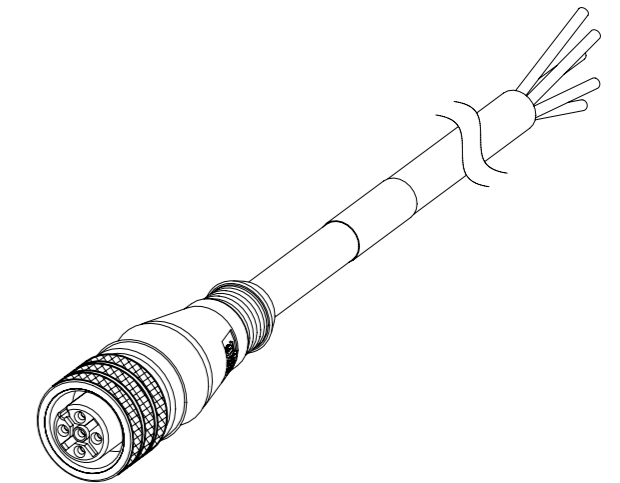


COUPLING NUTS



CABLE INFORMATION (for more information see Cable Data Sheet).

| CABLE TYPE | NO. OF WIRES | CROSS SECTION | CABLE JACKET | UL | CSA | STATIC: TEMP. / BENDING RADIUS | DYNAMIC: TEMP. / BENDING RADIUS | DRAG CHAIN | SHIELD |
|------------|--------------|---------------------|----------------|------------------------|--------------------------|--------------------------------|---------------------------------|---------------------------|--------|
| E13 | 3 | 18AWG | PVC YELLOW | UL 2661/1731 | I/II A/B 80°C/300V | - | - | - | - |
| E52 | 3 / 4 / 8 | 0.34mm ² | PVC GREY | - | - | -30°C to +70°C | -5°C to +70°C | - | - |
| E63 | 5 | 0.34mm ² | PVC GREY | - | - | -30°C to +70°C | -5°C to +70°C | - | YES |
| H12 | 4 | 0.50mm ² | PUR BLACK LS0H | UL 21198/10493 | C22.2 I/II A/B 80°C/300V | -50°C to +80°C, 5xO.D. | -25°C to +80°C, 10xO.D. | 2 000 000, Temp max 60°C | - |
| H69 | 4 | 0.20mm ² | PUR GREY LS0H | - | - | - | - | - | - |
| I02 | 3 / 4 / 8 | 0.25mm ² | PVC CEI GREY | - | - | -30°C to +70°C | -5°C to +70°C | - | - |
| I03 | 3 / 4 / 5 | 0.34mm ² | PVC CEI GREY | - | - | -30°C to +70°C | -5°C to +70°C | - | - |
| I04 | 4 | 0.50mm ² | PVC CEI GREY | - | - | -25°C to +70°C | -5°C to +70°C | - | - |
| I20 | 3 / 4 | 0.34mm ² | PVC CEI GREY | - | - | -30°C to +70°C | -5°C to +70°C | - | YES |
| I26 | 5 | 0.34mm ² | PVC CEI GREY | - | - | -30°C to +70°C | -5°C to +70°C | - | - |
| K03 | 4 / 5 | 0.34mm ² | TPE YELLOW | UL JEC 60332-1 or PLCT | I/II 90°C/300V | - | - | - | - |
| K05 | 3 / 4 / 5 | 0.34mm ² | TPE YELLOW | UL ITC E195601 or PLC | I/II A/B 90°C/300V | - | - | - | - |
| P04 | 4 | 0.50mm ² | PUR BLACK | - | - | -40°C to +90°C, 7.5xO.D. | -15°C to +90°C, 12.5xO.D. | - | - |
| P12 | 3 / 5 | 0.50mm ² | PUR BLACK | - | - | -30°C to +90°C | -5°C to +90°C | - | - |
| P19 | 8 | 0.25mm ² | PUR BLACK | - | - | -40°C to +90°C, 7.5xO.D. | -15°C to +90°C, 12.5xO.D. | 2 000 000 cycles, 15xO.D. | YES |
| P20 | 3 / 4 / 5 | 0.34mm ² | PUR BLACK LS0H | - | - | -30°C to +80°C | - | - | YES |
| P82 | 3 / 4 / 5 | 0.34mm ² | PUR IRR ORANGE | - | - | -50°C to +105°C, 5xO.D. | -40°C to +105°C, 7.5xO.D. | - | - |
| S19 | 8 | 0.25mm ² | PVC YELLOW | UL 2661/1569 | C22.2 II A 105°C/300V | -30°C to +105°C, 10xO.D. | -15°C to +105°C, 15xO.D. | - | YES |
| S20 | 3 / 4 / 5 | 0.34mm ² | PVC YELLOW | UL 2661/1731 | C22.2 II A 105°C/300V | -30°C to +105°C | - | - | YES |
| S26 | 5 | 0.34mm ² | PVC YELLOW | UL 2661/1731 | C22.2 II A 105°C/300V | -30°C to +105°C | - | - | YES |



SCALE 1:1

CABLE LENGTH TOLERANCES

| OVER | UP TO AND INCLUDING | TOLERANCES |
|---------|---------------------|------------------------|
| 0 | 305mm | +19mm |
| 305mm | 915mm | +45mm |
| 915mm | 1830mm | +56mm |
| 1830mm | 3660mm | +89mm |
| 3660mm | 7320mm | +165mm |
| 7320mm | 14640mm | +317mm |
| 14640mm | 30500mm | +610mm |
| 30500mm | > | +2% of finished length |

THIS DRAWING CONTAINS INFORMATION THAT IS PROPRIETARY TO MOLEX ELECTRONIC TECHNOLOGIES, LLC AND SHOULD NOT BE USED WITHOUT WRITTEN PERMISSION


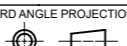
| | | | | | |
|--|--------|---|---------------------------------|--------|-----------------|
| DIMENSION UNITS | SCALE | CURRENT REV DESC: REMOVED OBSOLETE PART NUMBER AS PER PCN#510807. | molex | | |
| mm | 1:1 | | | | |
| GENERAL TOLERANCES (UNLESS SPECIFIED) | | | CSE M12 XP AC FE STR XM SE UNSH | | |
| ANGULAR TOL | ± 1.0° | EC NO: 726454 | PRODUCT CUSTOMER DRAWING | | |
| 4 PLACES | ± | DRWN: LIKITV 2022/09/28 | DOCUMENT NUMBER | | |
| 3 PLACES | ± | CHK'D: GGA 2022/11/30 | 1200658605 | | |
| 2 PLACES | ± 0.05 | APPR: GGA 2022/11/30 | DOC TYPE DOC PART REVISION | | |
| 1 PLACE | ± 0.3 | INITIAL REVISION: | PSD 000 A6 | | |
| 0 PLACES | ± 0.5 | DRWN: JMARSZALEK 2016/01/12 | SHEET NUMBER | | |
| | | APPR: RSILLER 2016/04/08 | 2 OF 4 | | |
| DRAFT WHERE APPLICABLE MUST REMAIN WITHIN DIMENSIONS | | THIRD ANGLE PROJECTION | DRAWING | SERIES | MATERIAL NUMBER |
| | | | A3-SIZE | 120065 | SEE PART LIST |
| | | | GENERAL MARKET | | |

PART LIST

| No. | Part No. | Engineering No. | Cable Length | No. | Part No. | Engineering No. | Cable Length | No. | Part No. | Engineering No. | Cable Length | No. | Part No. | Engineering No. | Cable Length |
|-----|------------|------------------|--------------|-----|------------|------------------|--------------|-----|------------|-----------------|--------------|-----|------------|-----------------|--------------|
| 1 | 1200060017 | 804000I03M050 | 5m | 36 | 1200062037 | 804000S20M050H | 5m | 71 | 1200064073 | 803000P82M0107 | 1m | 106 | 1200658256 | 808000S19M006 | 0.6m |
| 2 | 1200060030 | 803000I03M050 | 5m | 37 | 1200062040 | 804000S20M030H | 3m | 72 | 1200064161 | 804000I20M100 | 10m | 107 | 1200658282 | 804000P20M250 | 25m |
| 3 | 1200060033 | 804000I03M100 | 10m | 38 | 1200062049 | 808000E52M050 | 5m | 73 | 1200064164 | 804000I20M020 | 2m | 108 | 1200658283 | 805000I03M020 | 2m |
| 4 | 1200060145 | 803000I03M020 | 2m | 39 | 1200062094 | 803000H69M050 | 5m | 74 | 1200064230 | 804000I03M080 | 8m | 109 | 1200658293 | 803000E52M3001A | 30m |
| 5 | 1200060148 | 803000I03M100 | 10m | 40 | 1200062268 | 804000S20M020H | 2m | 75 | 1200064254 | 804000E52M010A | 1m | 110 | 1200658299 | 805000P82M100 | 10m |
| 6 | 1200060166 | 803000S20M010 | 1m | 41 | 1200062363 | 804000S20M100H | 10m | 76 | 1200064256 | 803000P82M0207 | 2m | 111 | 1200658474 | 805000S20M020 | 2m |
| 7 | 1200060167 | 803000S20M020 | 2m | 42 | 1200062364 | 804000P04M020G | 2m | 77 | 1200064445 | 805000P12M023 | 2.3m | 112 | 1200658524 | 803000E13M030 | 3m |
| 8 | 1200060168 | 803000S20M030 | 3m | 43 | 1200062454 | 803000P82M0067 | 0.6m | 78 | 1200064490 | 804000P20M020 | 2m | 113 | 1200658543 | 804000I20M150 | 15m |
| 9 | 1200060170 | 803000S20M050 | 5m | 44 | 1200062496 | 804000S20M010H | 1m | 79 | 1200065005 | 805000P82M0207 | 2m | 114 | 1200658593 | 803000I03M040 | 4m |
| 10 | 1200060171 | 803000S20M100 | 10m | 45 | 1200062604 | 804000P20M100 | 10m | 80 | 1200651108 | 803000K05M020 | 2m | 115 | 1200658599 | 804000I03M010 | 1m |
| 11 | 1200060173 | 803000S20M150 | 15m | 46 | 1200062656 | 804000P20M030 | 3m | 81 | 1200651110 | 803000K05M050 | 5m | 116 | 1200658600 | 804000I03M040 | 4m |
| 12 | 1200060436 | 804000E52M200A | 20m | 47 | 1200062657 | 804000P20M050 | 5m | 82 | 1200651121 | 804000K05M020 | 2m | 117 | 1200658605 | 805000I03M010 | 1m |
| 13 | 1200060452 | 804000I03M020 | 2m | 48 | 1200062675 | 808000P19M030 | 3m | 83 | 1200651124 | 804000K05M050 | 5m | 118 | 1200658606 | 805000I03M040 | 4m |
| 14 | 1200060454 | 804000I03M030 | 3m | 49 | 1200062676 | 808000P19M050 | 5m | 84 | 1200651126 | 804000K05M100 | 10m | 119 | 1200658677 | 808000I02M010 | 1m |
| 15 | 1200060469 | 804000S20M010 | 1m | 50 | 1200062754 | 803000P82M0047 | 0.4m | 85 | 1200651767 | 803000E52M050A | 5m | 120 | 1200658678 | 808000I02M020 | 2m |
| 16 | 1200060470 | 804000S20M020 | 2m | 51 | 1200062765 | 808000P19M020 | 2m | 86 | 1200651778 | 804000E52M050A | 5m | 121 | 1200658679 | 808000I02M030 | 3m |
| 17 | 1200060471 | 804000S20M0201 * | 2m | 52 | 1200062858 | 805000P12M100 | 10m | 87 | 1200651857 | 804000E52M100A | 10m | 122 | 1200658680 | 808000I02M040 | 4m |
| 18 | 1200060472 | 804000S20M030 | 3m | 53 | 1200062869 | 804000P20M150 | 15m | 88 | 1200652019 | 808000P19M100 | 10m | 123 | 1200658681 | 808000I02M050 | 5m |
| 19 | 1200060474 | 804000S20M050 | 5m | 54 | 1200062969 | 805000I26M100 | 10m | 89 | 1200655003 | 805000S26M050 | 5m | 124 | 1200658682 | 808000I02M100 | 10m |
| 20 | 1200060476 | 804000S20M100 | 10m | 55 | 1200063017 | 804000P04M0083 | 0.8m | 90 | 1200655009 | 805000S26M100 | 10m | 125 | 1200658701 | 804000I03M010G | 1m |
| 21 | 1200060478 | 804000S20M150 | 15m | 56 | 1200063035 | 805000P20M100 | 10m | 91 | 1200655010 | 804000S20M150H | 15m | 126 | 1200658702 | 804000I03M020G | 2m |
| 22 | 1200060644 | 805000I03M030 | 3m | 57 | 1200063041 | 805000P12M0033 | 0.3m | 92 | 1200655025 | 805000I03M100G | 10m | 127 | 1200658703 | 804000I03M030G | 3m |
| 23 | 1200060645 | 805000I03M100 | 10m | 58 | 1200063114 | 804000P04M0163 | 1.6m | 93 | 1200655074 | 808000P19M060 | 6m | 128 | 1200658704 | 804000I03M040G | 4m |
| 24 | 1200060715 | 805000P82M050 | 5m | 59 | 1200063141 | 803000P12M0033 | 0.3m | 94 | 1200656198 | 808000S19M010 | 1m | 129 | 1200658705 | 804000I03M050G | 5m |
| 25 | 1200061240 | 803000P82M0507 | 5m | 60 | 1200063182 | 804000S20M0501H | 5m | 95 | 1200656199 | 808000S19M020 | 2m | 130 | 1200658706 | 804000I03M100G | 10m |
| 26 | 1200061559 | 803000I20M100 | 10m | 61 | 1200063205 | 804000I03M060 | 6m | 96 | 1200656200 | 808000S19M030 | 3m | 131 | 1200658817 | 805000I26M010 | 1m |
| 27 | 1200061620 | 804000E52M3001A | 30m | 62 | 1200063409 | 804000S20M1001 * | 10m | 97 | 1200656201 | 808000S19M050 | 5m | 132 | 1200658972 | 808000S19M100 | 10m |
| 28 | 1200061680 | 804000H69M050 | 5m | 63 | 1200063562 | 804000I04M030 | 3m | 98 | 1200658015 | 805000E63M020A | 2m | 133 | 1200659026 | 805000P82M1007 | 10m |
| 29 | 1200061727 | 805000I26M050 | 5m | 64 | 1200063569 | 803000S20M003 | 0.3m | 99 | 1200658086 | 805000P12M020 | 2m | 134 | 1200659049 | 805000P20M050 | 5m |
| 30 | 1200061936 | 805000E63M050A | 5m | 65 | 1200063684 | 804000S20M2001 * | 20m | 100 | 1200658104 | 808000P19M150 | 15m | 135 | 1200659060 | 804000I03M050Y | 5m |
| 31 | 1200061955 | 804000I03M200A | 20m | 66 | 1200063819 | 804000E52K0011A | 100m | 101 | 1200658221 | 804000I20M050 | 5m | 136 | 1200659064 | 803000I03M050Y | 5m |
| 32 | 1200061956 | 804000I03M300A | 30m | 67 | 1200063824 | 805000I03M050G | 5m | 102 | 1200658230 | 805000S20M050 | 5m | 137 | 1200659065 | 804000I03M100Y | 10m |
| 33 | 1200061957 | 804000I03M400A | 40m | 68 | 1200063859 | 804000S20M0501 * | 5m | 103 | 1200658236 | 808000E52M020 | 2m | 138 | 1200659075 | 804000I03M020Y | 2m |
| 34 | 1200061970 | 804000I03M100A | 10m | 69 | 1200063913 | 805000P20M003 | 0.3m | 104 | 1200658242 | 804000H69M300 | 30m | 139 | 1200659085 | 805000I03M050Y | 5m |
| 35 | 1200062003 | 805000I03M050 | 5m | 70 | 1200063993 | 804000S20M200 | 20m | 105 | 1200658252 | 805000S26M020 | 2m | 140 | 1200659090 | 805000I26M100Y | 10m |

NOTES:

* - Part No. with Yellow PVC overmolding

| | | | | | | | | | |
|---|--|--------|--|--|--|-----------------|--|-----------------|--|
| THIS DRAWING CONTAINS INFORMATION THAT IS PROPRIETARY TO MOLEX ELECTRONIC TECHNOLOGIES, LLC AND SHOULD NOT BE USED WITHOUT WRITTEN PERMISSION | | | | | | | | | |
| DIMENSION UNITS | | SCALE | | CURRENT REV DESC: REMOVED OBSOLETE PART NUMBER AS PER PCN#510807. | | | | | |
| mm | | 1:1 | |  CSE M12 XP AC FE STR XM SE UNSH PRODUCT CUSTOMER DRAWING | | | | | |
| GENERAL TOLERANCES (UNLESS SPECIFIED) | | | | | | | | | |
| ANGULAR TOL ± 1.0 ° | | | | | | | | | |
| 4 PLACES | | ± | | | | | | | |
| 3 PLACES | | ± | | | | | | | |
| 2 PLACES | | ± 0.05 | | EC NO: 726454 | | 2022/09/28 | | DOCUMENT NUMBER | |
| 1 PLACE | | ± 0.3 | | DRWN: LIKITV | | 2022/11/30 | | 1200658605 | |
| 0 PLACES | | ± 0.5 | | CHK'D: GGA | | 2022/11/30 | | PSD 000 A6 | |
| DRAFT WHERE APPLICABLE MUST REMAIN WITHIN DIMENSIONS | | | | THIRD ANGLE PROJECTION | | DRAWING | | SERIES | |
| | | | |  | | A3-SIZE | | 120065 | |
| | | | | | | MATERIAL NUMBER | | CUSTOMER | |
| | | | | | | SEE PART LIST | | GENERAL MARKET | |
| | | | | | | | | SHEET NUMBER | |
| | | | | | | | | 3 OF 4 | |

| | | | | |
|-----------------|----|--------------|------------|----------|
| DOCUMENT STATUS | P1 | RELEASE DATE | 2022/11/30 | 11:33:45 |
|-----------------|----|--------------|------------|----------|

PART LIST

| No. | Part No. | Engineering No. | Cable Length |
|-----|------------|-----------------|--------------|
| 141 | 1200659113 | 804000H12M050 | 5m |
| 142 | 1200659116 | 805000I26M050Y | 5m |
| 143 | 1200659119 | 803000I03M020Y | 2m |
| 144 | 1200659175 | 808000S19M200H | 20m |
| 145 | 1200659177 | 804000I03M030Y | 3m |
| 146 | 1200659183 | 808000S19M150H | 15m |
| 147 | 1200659271 | 804000H12M100 | 10m |
| 148 | 1200659371 | 805000I03M100Y | 10m |
| 149 | 1200659376 | 804000S20M350 | 35m |
| 150 | 1200659390 | 803000S20M070 | 7m |
| 151 | 1200659393 | 805000P12M050 | 5m |
| 152 | 1200659558 | 803000I20M100Y | 10m |
| 153 | 1200659593 | 804000H12M020 | 2m |
| 154 | 1200659621 | 804000I04M050 | 5m |
| 155 | 1200659635 | 805000P20M300 | 30m |
| 156 | 1200659767 | 804000H12M0209 | 2m |
| 157 | 1200659768 | 804000H12M0309 | 3m |
| 158 | 1200659769 | 804000H12M0509 | 5m |
| 159 | 1200659770 | 804000H12M1009 | 10m |
| 160 | 1200659989 | 805000S26M200 | 20m |
| 161 | 1200659997 | 808000E52M100 | 10m |
| 162 | 1200868439 | 808000S19M150 | 15m |
| 163 | 1200651122 | 804000K05M030 | 3m |
| 164 | 1200651367 | 805000K03M020 | 2m |
| 165 | 1200651370 | 805000K03M050 | 5m |
| 166 | 1200651373 | 805000K03M100 | 10m |

| | | | | | | | | | |
|---|------------------------|---|--------|-----------------|---------------------------------|--------------|----------|----------|----------|
| THIS DRAWING CONTAINS INFORMATION THAT IS PROPRIETARY TO MOLEX ELECTRONIC TECHNOLOGIES, LLC AND SHOULD NOT BE USED WITHOUT WRITTEN PERMISSION | | | | | | | | | |
| DIMENSION UNITS mm | SCALE 1:1 | CURRENT REV DESC: REMOVED OBSOLETE PART NUMBER AS PER PCN#510807. | | | molex | | | | |
| GENERAL TOLERANCES (UNLESS SPECIFIED) | | EC NO: 726454 | | | | | | | |
| ANGULAR TOL ± 1.0 ° | | DRWN: LIKITV 2022/09/28 | | | CSE M12 XP AC FE STR XM SE UNSH | | | | |
| 4 PLACES ± | | CHK'D: GGA 2022/11/30 | | | PRODUCT CUSTOMER DRAWING | | | | |
| 3 PLACES ± | | APPR: GGA 2022/11/30 | | | DOCUMENT NUMBER | | | | |
| 2 PLACES ± 0.05 | | INITIAL REVISION: | | | 1200658605 | | DOC TYPE | DOC PART | REVISION |
| 1 PLACE ± 0.3 | | DRWN: JMARSZALEK 2016/01/12 | | | PSD | | 000 | A6 | |
| 0 PLACES ± 0.5 | | APPR: RSILLER 2016/04/08 | | | SHEET NUMBER | | | | |
| DRAFT WHERE APPLICABLE MUST REMAIN WITHIN DIMENSIONS | THIRD ANGLE PROJECTION | DRAWING | SERIES | MATERIAL NUMBER | CUSTOMER | SHEET NUMBER | | | |
| | | A3-SIZE | 120065 | SEE PART LIST | GENERAL MARKET | 4 OF 4 | | | |

| | | | | |
|-----------------|----|--------------|------------|----------|
| DOCUMENT STATUS | P1 | RELEASE DATE | 2022/11/30 | 11:33:45 |
|-----------------|----|--------------|------------|----------|