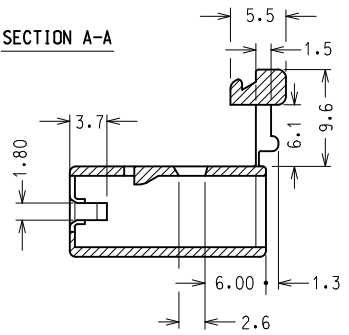
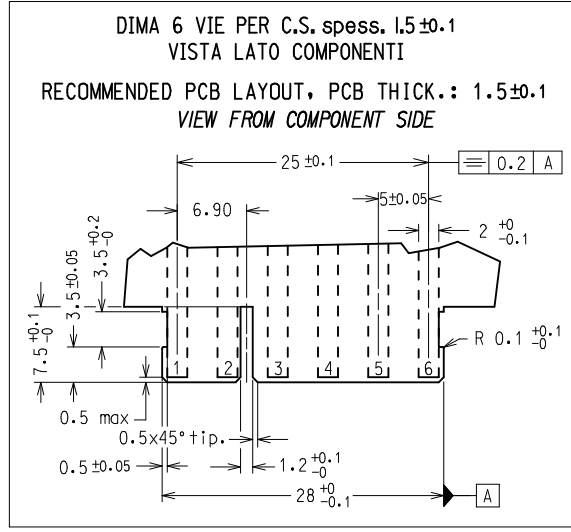
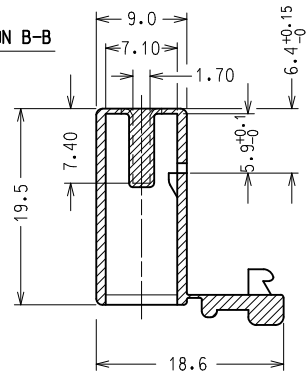


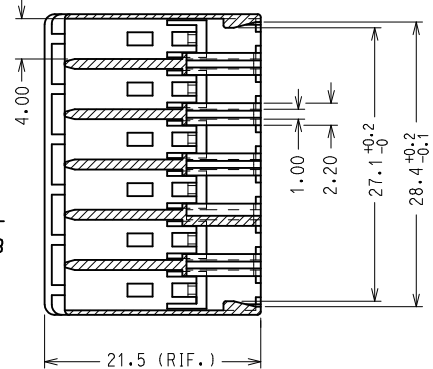
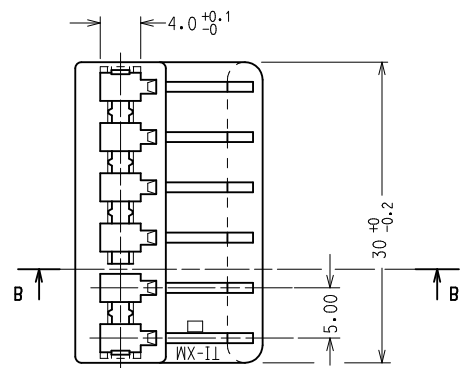
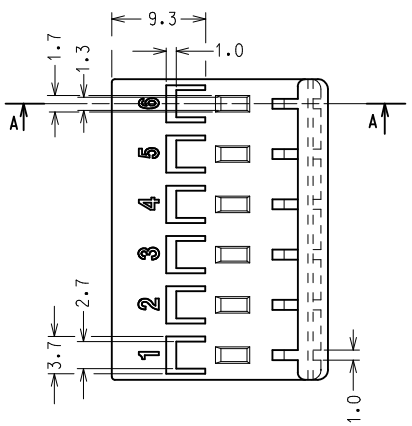
SECTION A-A



SECTION B-B



CODICE P/N	MATERIAL AND COLOR
94529-9106	NYLON 66 UL94 V2 NATURAL
94529-9206	NYLON 66 UL94 V2 BLACK
94529-7106	NYLON 66 UL94 V0 NATURAL
94529-7206	NYLON 66 UL94 V0 GREY
94529-4106	NYLON 6.6 GWT 750°C sec. IEC 60335-1 TEST METHOD IEC 60695-2-11 NATURAL
94529-4206	NYLON 6.6 GWT 750°C sec. IEC 60335-1 TEST METHOD IEC 60695-2-11 BLACK



NOTA: LE DIMENSIONI VANNO MISURATE CON CORPI STABILIZZATI SECONDO NG 2301. (AUMENTO IN PESO DEL 2.7 %)

NOTE: PARTS SHALL BE DIMENSIONALLY CHECKED AFTER ATTAINING EQUILIBRIUM CONDITIONS E.G. 27 % INCREASE IN WEIGHT FOR HUMIDITY ABSORPTION FROM DRY STATUS.

CARATTERISTICHE PRODOTTO SECONDO PS-94529
PRODUCT CHARACTERISTICS ACCORDING TO PS-94529 E

CONFEZIONE: 2000 pz. IN SCATOLA
PACKAGING: 2000 pcs IN CARTON BOX

SPQ: 2000 pz. Descr. Std: HSG FOR FORK TERMINAL 6 CKT

EC NO: Z2006-0051 DRWN: FGOTTARD 2005/10/12 CHKD: RSANDANI 2005/10/12 APPR: GZUJIN 2005/10/14	QUALITY SYMBOLS	GENERAL TOLERANCES (UNLESS SPECIFIED)	SCALE 2:1	DESIGN UNITS METRIC	FIRST ANGLE PROJECTION	REVISE ON CAD ONLY	
	▲ = 0 ▽ = 0	mm	INCH	DIMENSION STYLE MM ONLY		TITLE 6 CKT HOUSING FOR STRAIGHT FORK TERMINAL MOLEX INCORPORATED SEE TAB. SD-94529-008	
		4 PLACES ± --- ± ---	3 PLACES ± --- ± ---	DRAWN BY DATE	FGOTTARD 1995/10/25		
		2 PLACES ± 0.1 ± ---	1 PLACE ± 0.2 ± ---	CHECKED BY DATE	SSORATO 1995/10/25		
ANGULAR ± 2°	DRAFT WHERE APPLICABLE	APPROVED BY DATE	RMARTUCC 1995/10/25	MATERIAL NO. SEE TAB.	DOCUMENT NO. SD-94529-008		SHEET NO. 1 OF 1
A4	REV	MUST REMAIN WITHIN DIMENSIONS	THIS DRAWING CONTAINS INFORMATION THAT IS PROPRIETARY TO MOLEX INCORPORATED AND SHOULD NOT BE USED WITHOUT WRITTEN PERMISSION				A3