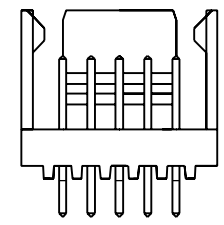
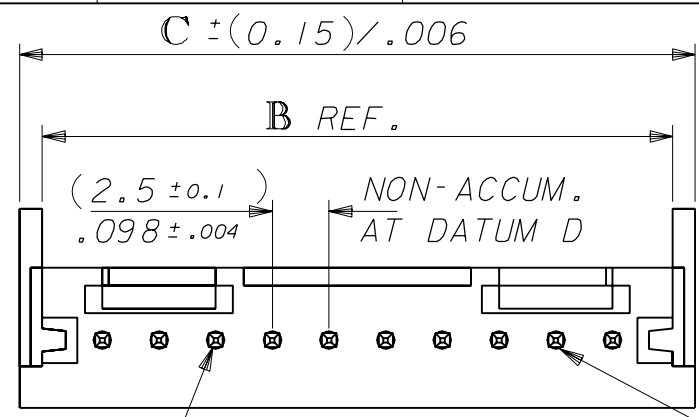


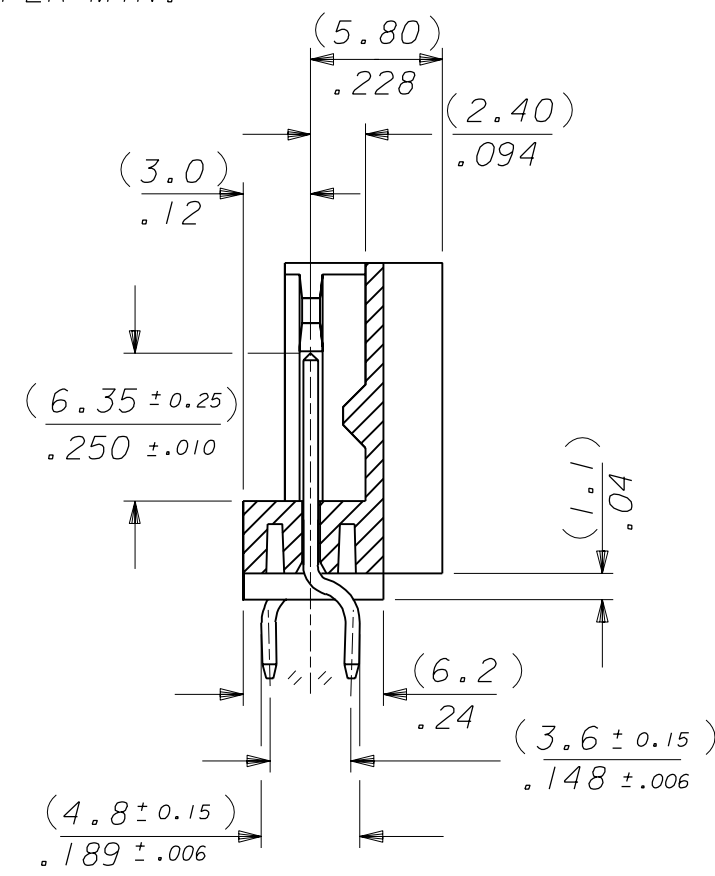
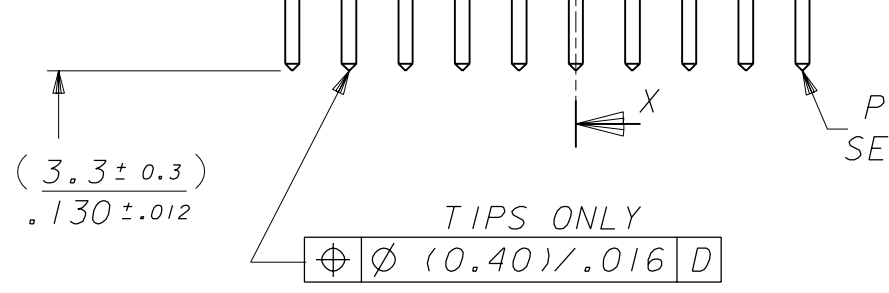
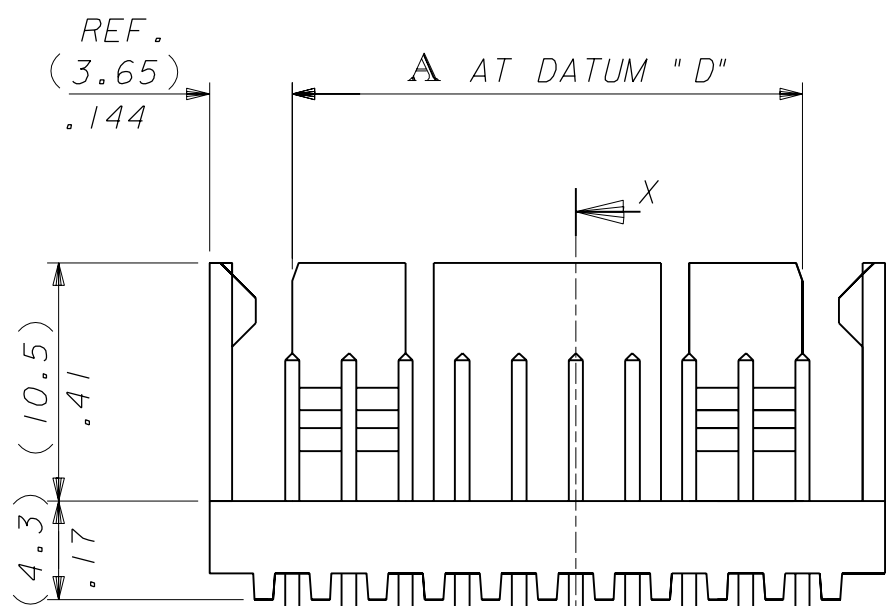
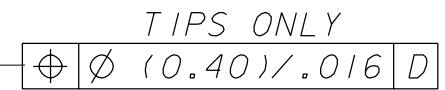
PART NO. SEE CHART
 DWG. NO. SDA-90293



FOR CCTS 2 THRU 5

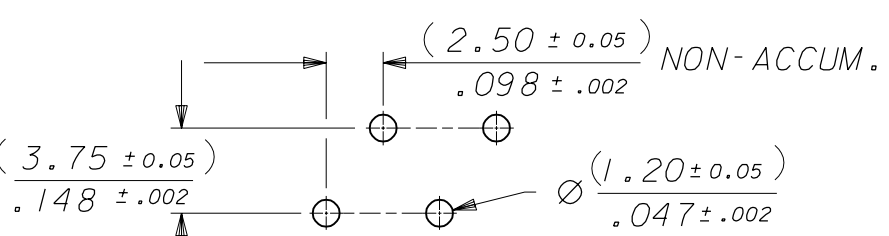
WAFER: POLYESTER 94V-0

PIN (0.635)/.025 SQ. BRASS
 PREPLATED ELECTRO-TIN
 (5μM)/.0002 MIN. OVER (2.5μM)/.0001
 COPPER MIN.



SECTION X-X

- NOTES:
1. PIN 1 TO BE POSITIONED AS SHOWN FOR ALL CCT. SIZES.
 2. PIN PUSH OUT FORCE (0.907)/2 LBS MIN.
 3. SOLDERABILITY TO MOLEX SPEC. ES-152.
 4. RECOMMENDED PCB THICKNESS (1.5)/.060



RECOMMENDED PCB HOLE DIMNS.
 VIEWED FROM COMPONENT SIDE

CCTS	DRG. No	DIMn. A	DIMn. B	DIMn. C	TOOLING
2	90293-0022	(2.50 ± 0.10) .098 ± .004	(7.80) .307	(9.80) .386	TOOLED
3	0023	(5.00 ± 0.10) .197 ± .004	(10.30) .406	(12.30) .484	
4	0024	(7.50 ± 0.10) .295 ± .004	(12.80) .504	(14.80) .583	
5	0025	(10.00 ± 0.10) .394 ± .004	(15.30) .602	(17.30) .681	
6	0026	(12.50 ± 0.10) .492 ± .004	(17.80) .701	(19.80) .780	
7	0027	(15.00 ± 0.10) .591 ± .004	(20.30) .799	(22.30) .878	
8	0028	(17.50 ± 0.10) .689 ± .004	(22.80) .898	(24.80) .976	
9	0029	(20.00 ± 0.10) .787 ± .004	(25.30) .996	(27.30) 1.075	
10	0030	(22.50 ± 0.13) .886 ± .005	(27.80) 1.094	(29.80) 1.173	
11	0031	(25.00 ± 0.13) .984 ± .005	(30.30) 1.193	(32.30) 1.272	
12	0032	(27.50 ± 0.13) 1.083 ± .005	(32.80) 1.291	(34.80) 1.370	
13	0033	(30.00 ± 0.15) 1.181 ± .006	(35.30) 1.390	(37.30) 1.469	
14	0034	(32.50 ± 0.15) 1.280 ± .006	(37.80) 1.488	(39.80) 1.567	
15	0035	(35.00 ± 0.15) 1.378 ± .006	(40.30) 1.587	(42.30) 1.665	
16	0036	(37.50 ± 0.15) 1.476 ± .006	(42.80) 1.685	(44.80) 1.764	
17	0037	(40.00 ± 0.15) 1.575 ± .006	(45.30) 1.783	(47.30) 1.862	
18	0038	(42.50 ± 0.18) 1.673 ± .007	(47.80) 1.882	(49.80) 1.961	
19	0039	(45.00 ± 0.18) 1.772 ± .007	(50.30) 1.980	(52.30) 2.059	
20	90293-0040	(47.50 ± 0.18) 1.870 ± .007	(52.80) 2.079	(54.80) 2.157	TOOLED

ADDED BORDER	QUALITY SYMBOLS
ECN NO. E2001-0472	MAJOR = 0
DRWN: MJACKO 26/10/00	CRITICAL C = 0
CHK:	
APPR:	
REV	

GENERAL TOLERANCES: (UNLESS SPECIFIED)	
4 PLACES	±0. ±.
3 PLACES	±0. ±.006
2 PLACES	±0.15 ±.015
1 PLACE	±0.38 ±.0
ANGULAR: ± 2 °	
DRAFT WHERE APPLICABLE MUST REMAIN WITHIN DIMENSIONS	

SCALE 3:1	DESIGN UNITS
	<input type="checkbox"/> mm <input checked="" type="checkbox"/> INCH
DRAWN BY & DATE MCC 13/8 /86	
CHECKED BY & DATE	
APPROVED BY & DATE	
CAD FILENAME SA90293X1 DGN	

DIMENSIONS:		SHT	REV
<input checked="" type="checkbox"/> mm <input type="checkbox"/> INCH		BEVISE ON	CAD ONLY
TITLE: STAGGERED, SHROUDED WAFER ASSY, MULTI-PURPOSE, (2.5)/.098 CTRS.			
MOLEX MOLEX INCORPORATED			
MATERIAL NO. SEE CHART	DRAWING NO. SDA-90293	SHEET NO. 1 OF 1	
THIS DRAWING CONTAINS INFORMATION THAT IS PROPRIETARY TO MOLEX INCORPORATED AND SHOULD NOT BE USED WITHOUT WRITTEN PERMISSION.			SIZE B