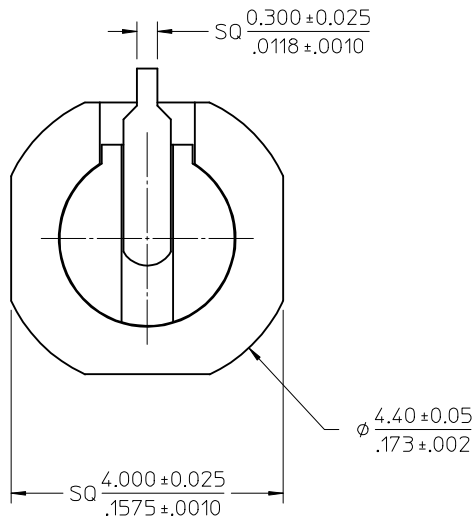
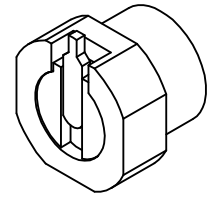


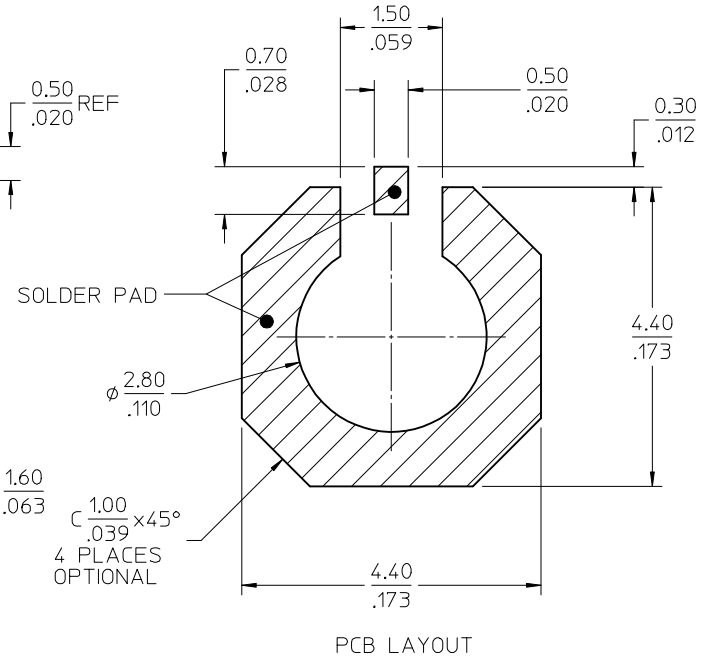
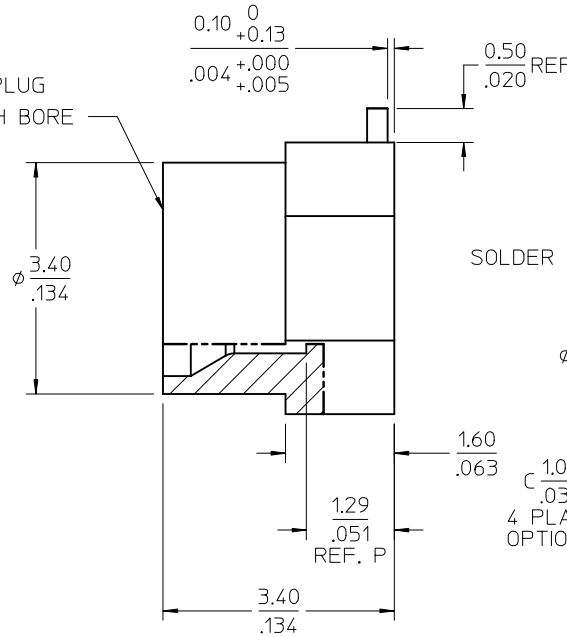
MATERIALS AND FINISHES:

BODY, CENTER CONTACT: BRASS
 FINISH: GOLD 5u-in MIN OVER
 NICKEL PHOSPHOR 80u-in MIN

INSULATOR: LCP



SMPM PLUG
 SMOOTH BORE



PCB LAYOUT

73300-0442	TAPE AND REEL WITH KAPTON TAPE
73300-0441	TAPE AND REEL (1500 PCS)
73300-0440	SMPM PLUG SMOOTH BORE INTERFACE (TRAY)
PART NO.	DESCRIPTION

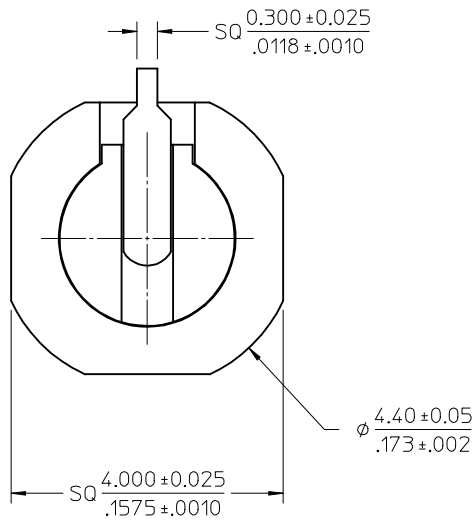
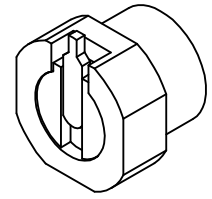
MIL-STD-348A, FIG. 328-3	INTERFACE
SPECIFICATION	DESCRIPTION

CHG: ADDED P/N -0442 EC NO: URF2015-0631 DRW:BSHAH 2015/05/12 CHK:DLLM 2015/05/12 APPR:AROBERTSON 2015/05/13 REV A4	QUALITY SYMBOLS ▽=0 ▽=0	GENERAL TOLERANCES (UNLESS SPECIFIED)		DIMENSION STYLE MM/IN		SCALE	DESIGN UNITS METRIC	THIRD ANGLE PROJECTION			
		4 PLACES ± --- ± --- 3 PLACES ± --- ± --- 2 PLACES ± --- ± --- 1 PLACE ± --- ± ---		DRAWN BY DATE JLEE02 2014/06/03		TITLE SMPM PLUG, SMT SB PCB VERTICAL 50 OHM EWR-5398, SMPM-PCB/SMT		MOLEX INCORPORATED		SHEET NO. 1 OF 1	
		ANGULAR ± 2 °		CHECKED BY DATE SSS 2014/06/03		APPROVED BY DATE WSPINK 2014/09/04		MATERIAL NO. SEE TABLE		DOCUMENT NO. SD-73300-044	
		DRAFT WHERE APPLICABLE MUST REMAIN WITHIN DIMENSIONS		SIZE C		THIS DRAWING CONTAINS INFORMATION THAT IS PROPRIETARY TO MOLEX INCORPORATED AND SHOULD NOT BE USED WITHOUT WRITTEN PERMISSION					

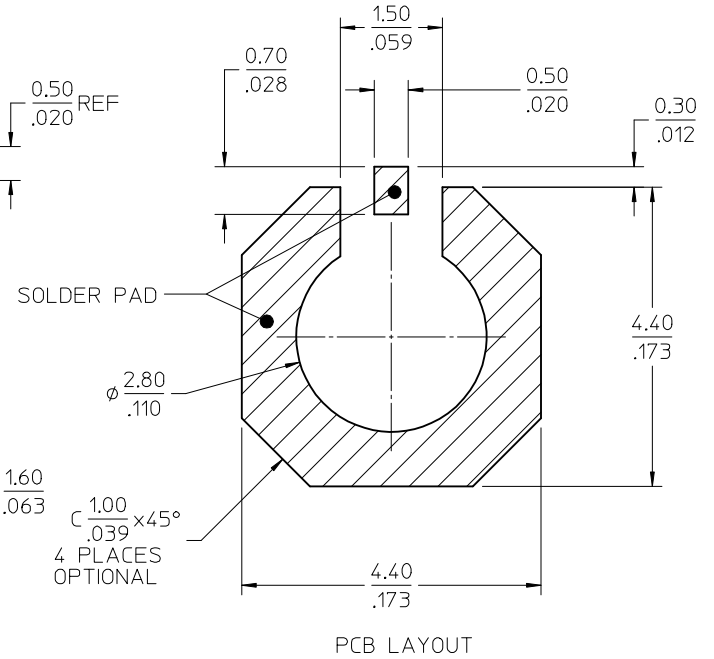
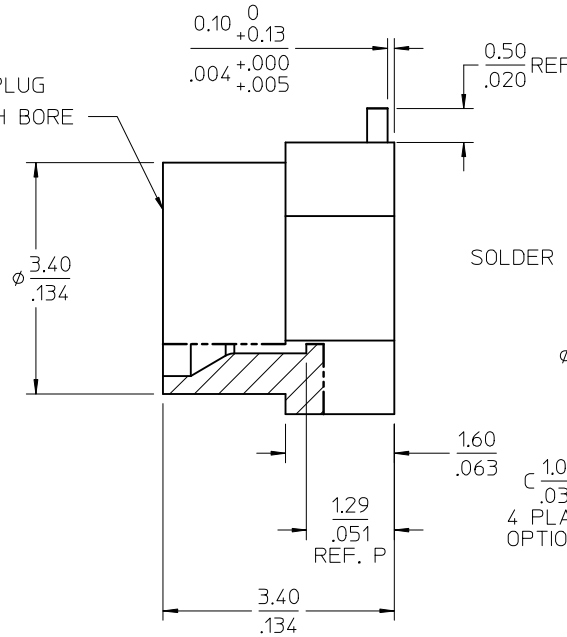
MATERIALS AND FINISHES:

BODY, CENTER CONTACT: BRASS
 FINISH: GOLD 5u-in MIN OVER
 NICKEL PHOSPHOR 80u-in MIN

INSULATOR: LCP



SMPM PLUG
 SMOOTH BORE



PCB LAYOUT

73300-0442	TAPE AND REEL WITH KAPTON TAPE
73300-0441	TAPE AND REEL (1500 PCS)
73300-0440	SMPM PLUG SMOOTH BORE INTERFACE (TRAY)
PART NO.	DESCRIPTION

MIL-STD-348A, FIG. 328-3	INTERFACE
SPECIFICATION	DESCRIPTION

CHG: ADDED P/N -0442 EC NO: URF2015-0631 DRWNSHAH 2015/05/12 CHKD:LLM 2015/05/12 APPR:AROBERTSON 2015/05/13 REV A4	QUALITY SYMBOLS ▽=0 ▽=0	GENERAL TOLERANCES (UNLESS SPECIFIED)		DIMENSION STYLE MM/IN	SCALE METRIC	DESIGN UNITS METRIC	THIRD ANGLE PROJECTION		
		4 PLACES ± --- ± --- 3 PLACES ± --- ± --- 2 PLACES ± --- ± --- 1 PLACE ± --- ± ---	mm INCH ± --- ± --- ± --- ± --- ± --- ± --- ± --- ± ---	DRAWN BY JLEE02	DATE 2014/06/03	TITLE SMPM PLUG, SMT SB PCB VERTICAL 50 OHM EWR-5398, SMPM-PCB/SMT	MOLEX INCORPORATED		
		ANGULAR ± 2°		CHECKED BY SSS	DATE 2014/06/03	APPROVED BY WSPINK	DATE 2014/09/04	MATERIAL NO. SEE TABLE	DOCUMENT NO. SD-73300-044
		DRAFT WHERE APPLICABLE MUST REMAIN WITHIN DIMENSIONS		SIZE C		THIS DRAWING CONTAINS INFORMATION THAT IS PROPRIETARY TO MOLEX INCORPORATED AND SHOULD NOT BE USED WITHOUT WRITTEN PERMISSION			