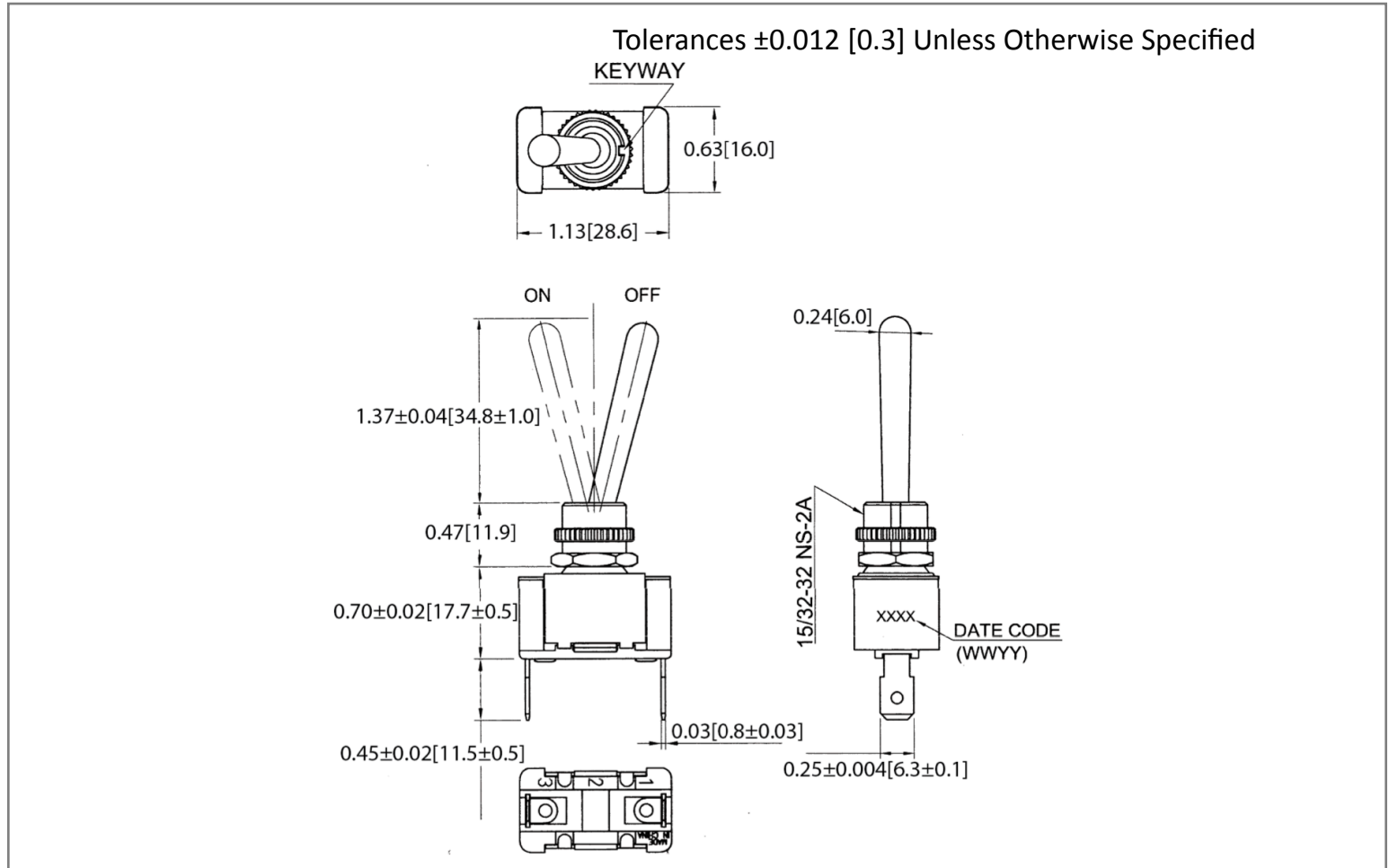
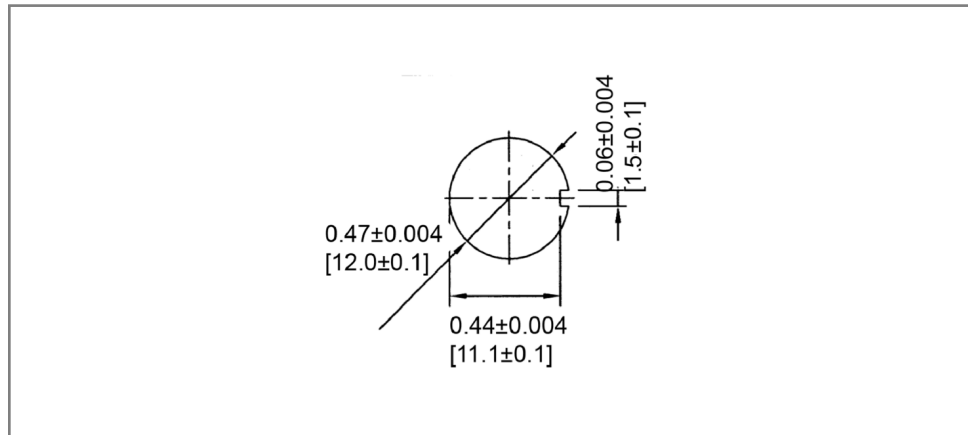


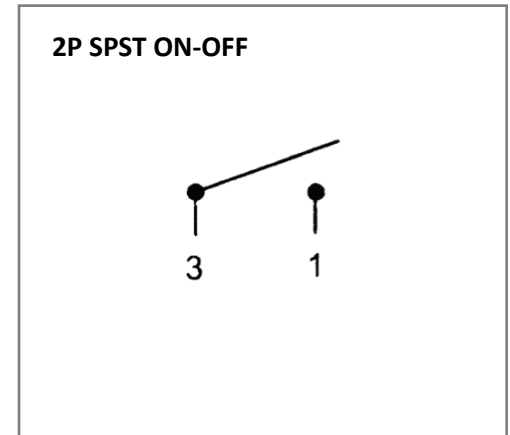
Mechanical Dimensions: Inches [mm]



Mounting Hole



Circuit Diagram



Electrical Specifications

Rating	21A 14VDC
Contact Resistance	50m ohm Max
Insulation Resistance	DC 500V 100M ohm Min
Dielectric Strength	AC 1500V 1 minute
Operation Temperature	0°C~65°C

Material Specifications

1 HEX NUT ASSY
1 KNURL NUT ASSY

Rev	Date of issue	Revision Notes	Designed	Approved
B	05-17-2021	Initial Drawing	RC	OF