

## Product brief

# KP275

## dTurboTMAP with SENT output and temperature sensor interface

With an accuracy of 0.77%, the KP275 is the most accurate digital Turbo MAP sensor which enables customers to achieve the targets of new CO<sub>2</sub> legislative requirements. Protected against aggressive media like Iodine, the KP275 guarantees high quality and long life time, even in harsh conditions. Using a SENT interface, the KP275 is easy to use and fast in communication. With an integrated NTC functionality the pressure sensor acts as a hub for an external NTC temperature sensor. So it's possible to have pressure and temperature signal on only one digital interface. In this context products of the developed MAP sensor family KP27x are the optimum solution for turbo diesel and gasoline engines management systems.

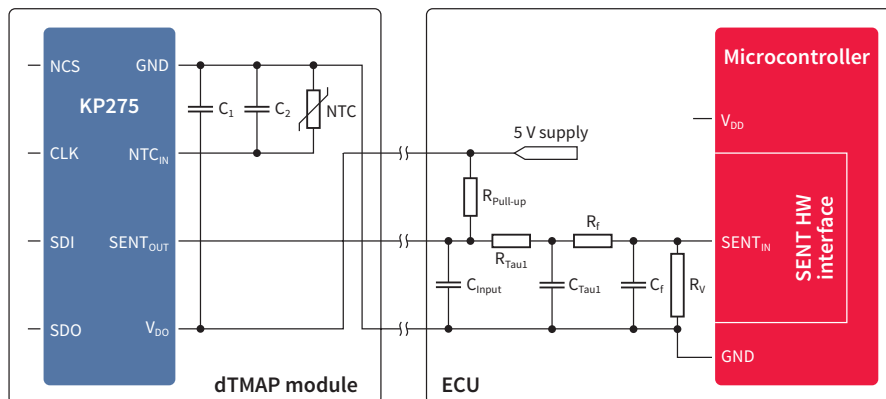
### Key features

- > **Increased media robustness** for current automotive requirements
- > **High accuracy** pressure sensing ( $\pm 0.77\%$  FSS)
- > Integrated signal processing for external temperature sensor
- > **SENT** protocol interface
- > Real **12-bit** pressure resolution
- > Real **12-bit** temperature resolution
- > **Self diagnostic** features
- > "Green" 8 pin SMD housing
- > Automotive qualified

### Typical applications

- > Automotive applications, industrial control
- > Consumer applications, medical applications

### Application circuit for the pressure sensor system



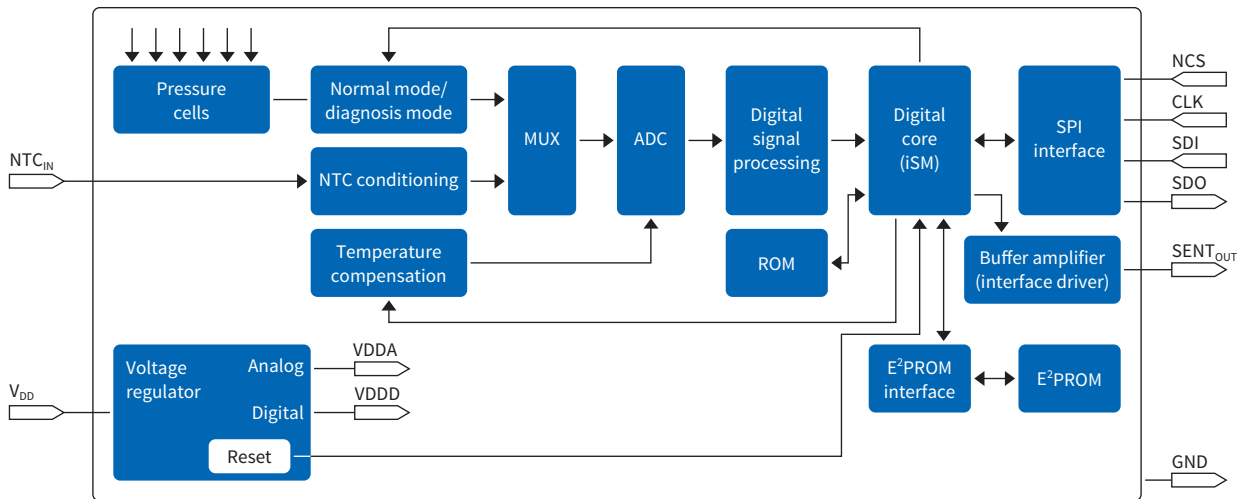
# KP275

## dTurboTMAP with SENT output and temperature sensor interface

### Highly integrated sensors – single chip

Infinion offers an extensive broad product portfolio for gasoline and diesel engine management systems from micro-machined sensors to smart power ICs and microcontrollers. The KP27x

pressure sensor as an integrated pressure sensor for manifold pressure measurement is a benchmark in terms of reliability, performance and integration level.



### Product summary

Parameter	Range			Unit
	Min.	Typ.	Max.	
Accuracy			0.77	% FS
Pressure range	10		400	kPa
Supply voltage	4.5	5	5.5	V
Output current			10	mA
Output	1		4087	LSB
Operating temperature	-40		150, 170 peak	°C
<b>Programmable transfer functions</b>				
Transfer function pressure	10		400	kPa
Transfer function pressure output	193		3896	LSB
Transfer function temperature	-50		170	°C
Transfer function temperature output	185		1945	LSB
Clamping level	0		4088	LSB

Published by  
Infineon Technologies AG  
81726 Munich, Germany

© 2019 Infineon Technologies AG.  
All Rights Reserved.

#### Please note!

THIS DOCUMENT IS FOR INFORMATION PURPOSES ONLY AND ANY INFORMATION GIVEN HEREIN SHALL IN NO EVENT BE REGARDED AS A WARRANTY, GUARANTEE OR DESCRIPTION OF ANY FUNCTIONALITY, CONDITIONS AND/OR QUALITY OF OUR PRODUCTS OR ANY SUITABILITY FOR A PARTICULAR PURPOSE. WITH REGARD TO THE TECHNICAL SPECIFICATIONS OF OUR PRODUCTS, WE KINDLY ASK YOU TO REFER TO THE RELEVANT PRODUCT DATA SHEETS PROVIDED BY US. OUR CUSTOMERS AND THEIR TECHNICAL DEPARTMENTS ARE REQUIRED TO EVALUATE THE SUITABILITY OF OUR PRODUCTS FOR THE INTENDED APPLICATION.

WE RESERVE THE RIGHT TO CHANGE THIS DOCUMENT AND/OR THE INFORMATION GIVEN HEREIN AT ANY TIME.

#### Additional information

For further information on technologies, our products, the application of our products, delivery terms and conditions and/or prices, please contact your nearest Infineon Technologies office ([www.infineon.com](http://www.infineon.com)).

#### Warnings

Due to technical requirements, our products may contain dangerous substances. For information on the types in question, please contact your nearest Infineon Technologies office.

Except as otherwise explicitly approved by us in a written document signed by authorized representatives of Infineon Technologies, our products may not be used in any life-endangering applications, including but not limited to medical, nuclear, military, life-critical or any other applications where a failure of the product or any consequences of the use thereof can result in personal injury.