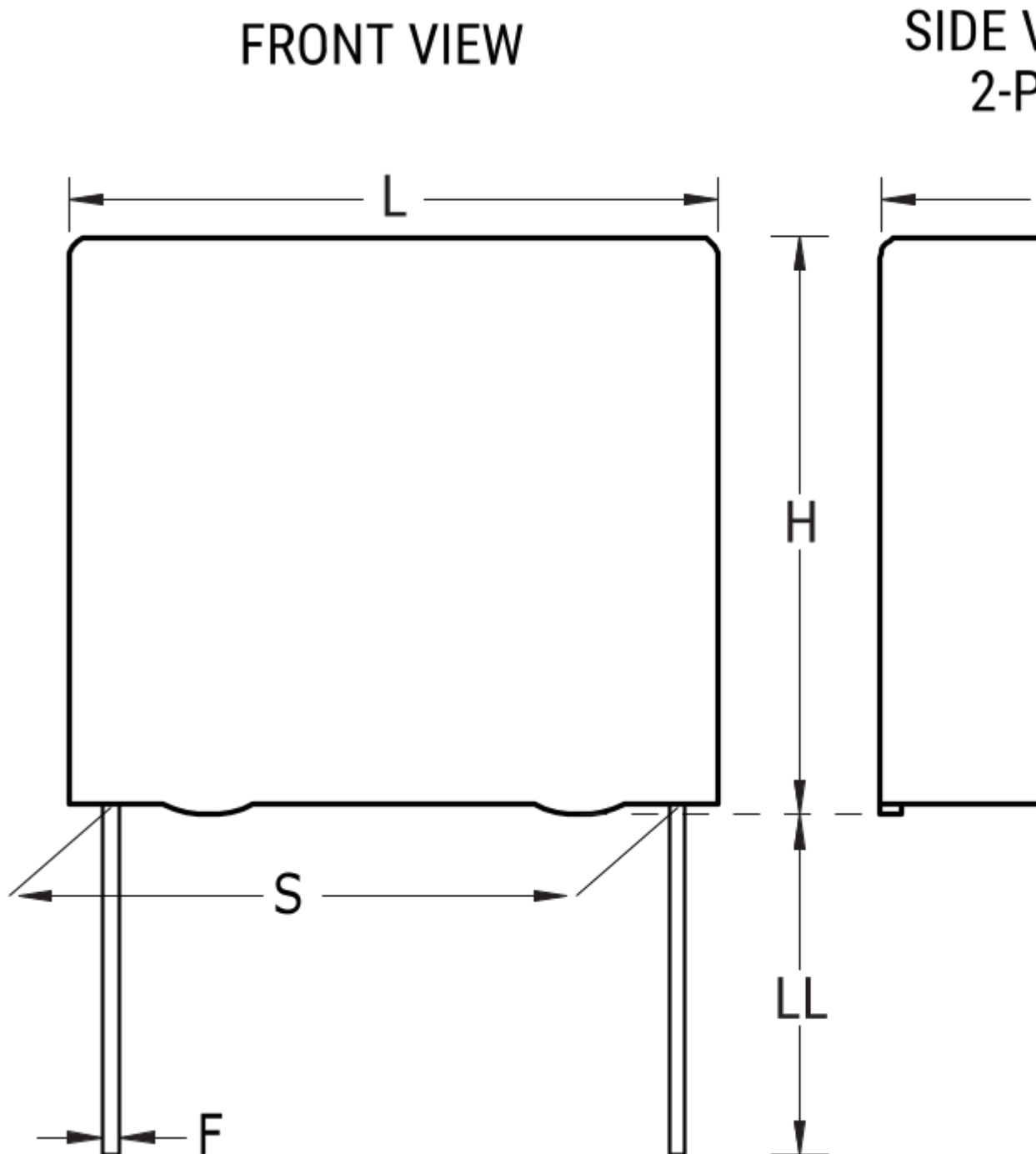


F863DE474M310Z

Obsolete

F863, Film, Metallized Polypropylene, Automotive Safety, 0.47 uF, 20%, 310 VAC (X2), 110°C, Lead Spacing = 22.5mm



Click [here](#) for the 3D model.

Dimensions

L 26.5mm +0.3/-0.5mm

H 16mm +0.1/-0.5mm

Dimensions

T 7mm +0.2/-0.5mm
S 22.5mm +/-0.4mm
LL 4mm +2mm
F 0.8mm +/-0.05mm

Packaging Specifications

Packaging Pizza, Box
Packaging Quantity 564

General Information

Series F863
Dielectric Metallized Polypropylene
Style Radial
Features MKP EMI, Automotive Grade, Harsh Environmental Conditions
RoHS Yes
Lead Wire Leads
Safety Class X2
Qualifications ENEC, UL, cUL, CQC, AEC-Q200
AEC-Q200 Yes
THB Performance Yes
Component Weight 3.6 g
Shelf Life 104 Weeks

Specifications

Capacitance 0.47 uF
Capacitance Tolerance 20%
Voltage AC 310 VAC (X2)
Temperature Range -40/+110°C
Rated Temperature 110°C
Dissipation Factor 0.2% 1kHz
Insulation Resistance 10 GOhms
Max dV/dt 200 V/us

Statements of suitability for certain applications are based on our knowledge of typical operating conditions for such applications, but are not intended to constitute - and we specifically disclaim - any warranty concerning suitability for a specific customer application or use. This Information is intended for use only by customers who have the requisite experience and capability to determine the correct products for their application. Any technical advice inferred from this Information or otherwise provided by us with reference to the use of our products is given gratis, and we assume no obligation or liability for the advice given or results obtained.

Generated 5/18/2023 - 49713c47-ae12-4c32-9b66-7aa86accc852
© 2006 - 2023 KEMET
Generated 5/18/2023 - 49713c47-ae12-4c32-9b66-7aa86accc852
© 2006 - 2023 KEMET