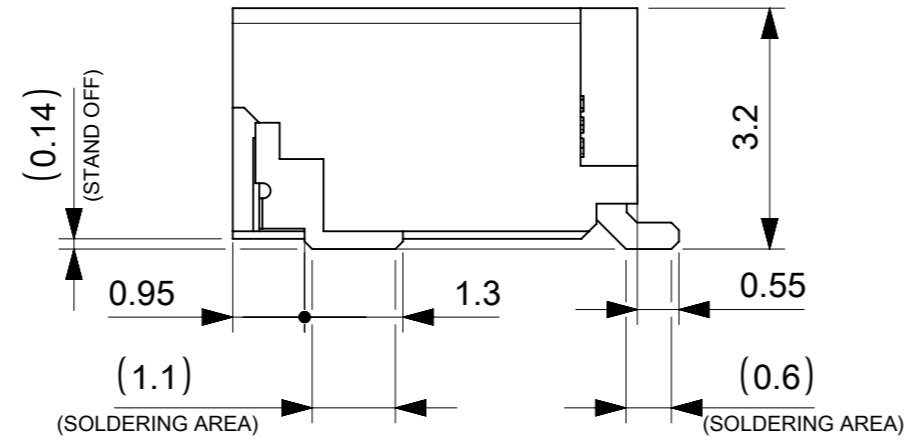
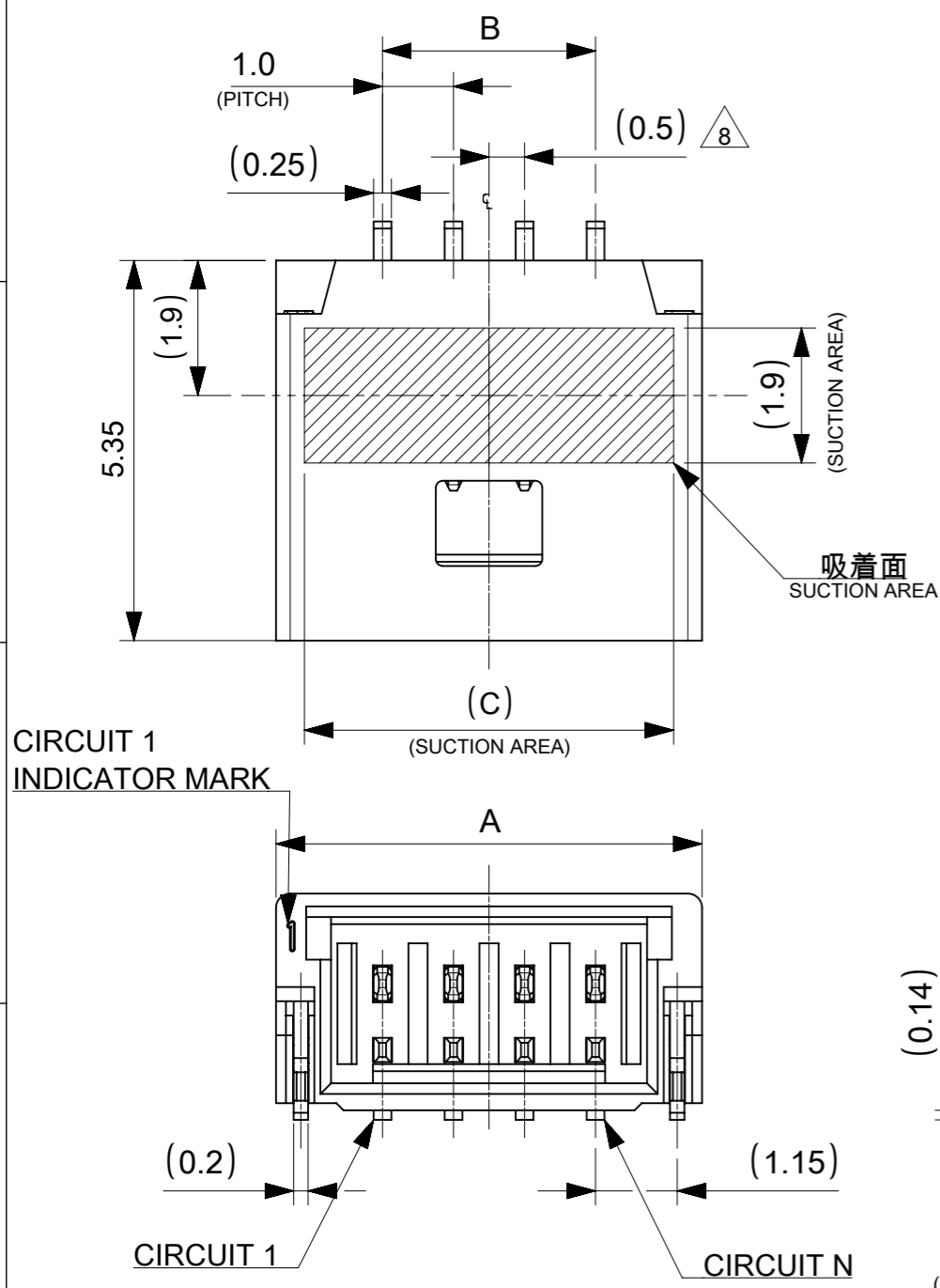


NOTES

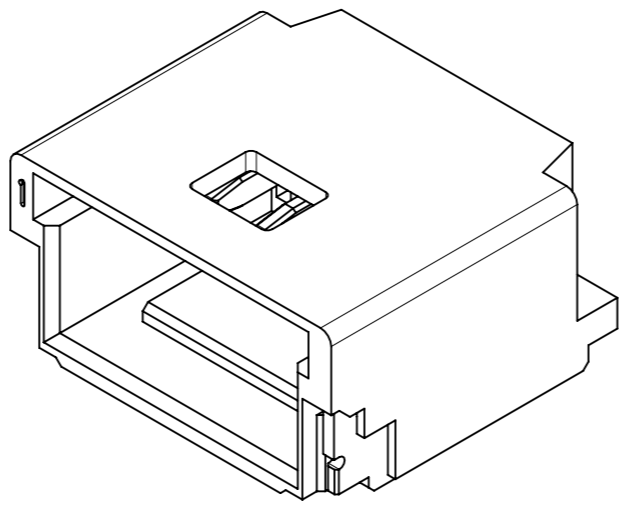
1. 本製品は極数によって、ロック形状が変わりますので御注意願います。  
THE LOCK SHAPE OF THIS PRODUCT CHANGES ACCORDING TO THE NUMBER OF CIRCUIT.  
2~5 CIRCUITS : フリクションロック FRICTION LOCK  
6~15 CIRCUITS : インナーポジティブロック INNER POSITIVE LOCK
- △ 材料及び仕上げ(めっき仕様) : TABLE 1,2 参照  
MATERIAL AND FINISHES : SEE TABLE 1 AND 2
3. 製品仕様書 : 5013300000-PS 001  
PRODUCT SPECIFICATION:
4. 梱包形態 : SEE SHEET 4  
PACKAGING INFORMATION:
- △ 5. 嵌合相手 : 501330 シリーズ  
MATES WITH:501330 SERIES
6. アプリケーション仕様書(コネクタ取扱い説明書) : 5013300000-AS 000  
APPLICATION SPECIFICATION(CONNECTOR MANUAL):
7. ソルダーピン及びネイルの平坦度:0.1 MAX.  
SOLDER PIN AND NAIL COPLANARITY: 0.1 MAX.
- △ 8. 偶数極に適用  
APPLY FOR EVEN CIRCUIT
9. 本製品は錫めっき品です。金めっき品は以下の図面を御参照ください。  
THIS PRODUCT IS A TIN PLATING. PLEASE REFER TO THE FOLLOWING DRAWING FOR GOLD PLATING VERSION.



GOLD PLATING THICKNESS [micro-meter MIN.]	SERIES No.	DRAWING No.
0.1	202396	2023960000-SD PSD 000
0.38	203558	2035580000-SD PSD 000
0.76	203559	2035590000-SD PSD 000

△ 2 TABLE 1

番号 NO.	部品 PART	材質 MATERIAL	
①	ウエハー WAFER	ポリアミド(PA), UL94V-0, 色 : SEE SHEET 6 POLYAMIDE(PA), UL94V-0, COLOR : SEE SHEET 6	
②	ソルダーピン SOLDER PIN	リン青銅 PHOSPHOR BRONZE	
		接点部 CONTACT AREA	錫めっき : 1.0 MICRO-METER MIN. MATTE TIN PLATING
		テール部 TAIL AREA	錫めっき : 1.0 MICRO-METER MIN. MATTE TIN PLATING
	下地めっき UNDER PLATING	ニッケルめっき : 1.0 MICRO-METER MIN. NICKEL	
③	ネイル NAIL	黄銅 BRASS	
		テール部 TAIL AREA	錫めっき : 1.0 MICRO-METER MIN. MATTE TIN PLATING
		下地めっき UNDER PLATING	ニッケルめっき : 1.0 MICRO-METER MIN. NICKEL



6.2	4.0	7.0	5
5.2	3.0	6.0	4
4.2	2.0	5.0	3
3.2	1.0	4.0	2
C	B	A	極数 CIRCUIT SIZE

THIS DRAWING CONTAINS INFORMATION THAT IS PROPRIETARY TO MOLEX ELECTRONIC TECHNOLOGIES, LLC AND SHOULD NOT BE USED WITHOUT WRITTEN PERMISSION

DIMENSION UNITS	SCALE	CURRENT REV DESC:	<b>molex</b>		
mm	NTS				
GENERAL TOLERANCES (UNLESS SPECIFIED)			PICO-CLASP 1.0 W/B SINGLE ROW RA SMT INNER LOCK TIN PLATING		
ANGULAR TOL	± 3.0 °	EC NO: 698195	PRODUCT CUSTOMER DRAWING		
4 PLACES	± 0.2	DRWN: MIKEDA01	2022/02/28		
3 PLACES	± 0.2	CHK'D: SAKIYAMA	2022/03/08		
2 PLACES	± 0.2	APPR: AIDA	2022/03/08		
1 PLACE	± 0.2	INITIAL REVISION:	DOCUMENT NUMBER		
0 PLACES	± 0.2	DRWN: AISHIKAWA	5015680000-SD		
		APPR: KOMURAKAMI	PSD 000 C		
DRAFT WHERE APPLICABLE MUST REMAIN WITHIN DIMENSIONS	THIRD ANGLE PROJECTION	DRAWING	SERIES	MATERIAL NUMBER	CUSTOMER
		A3-SIZE	501568	SEE SHEET 6	

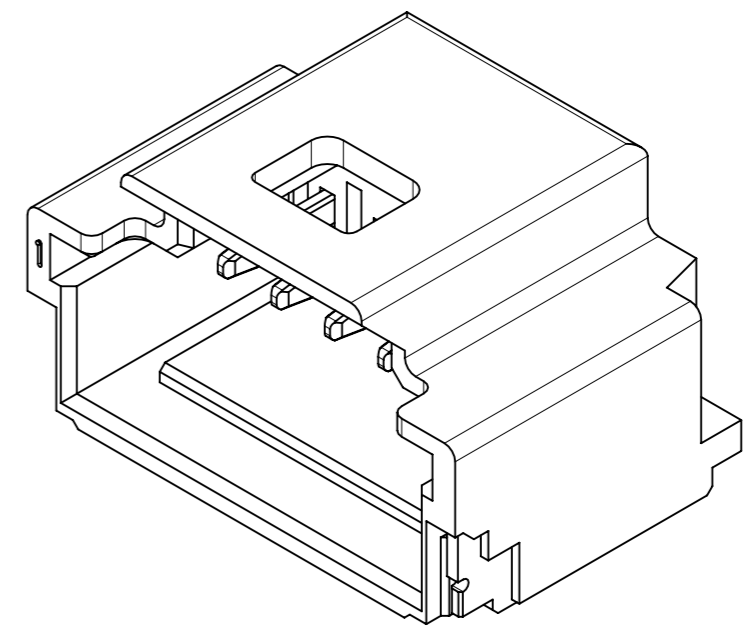
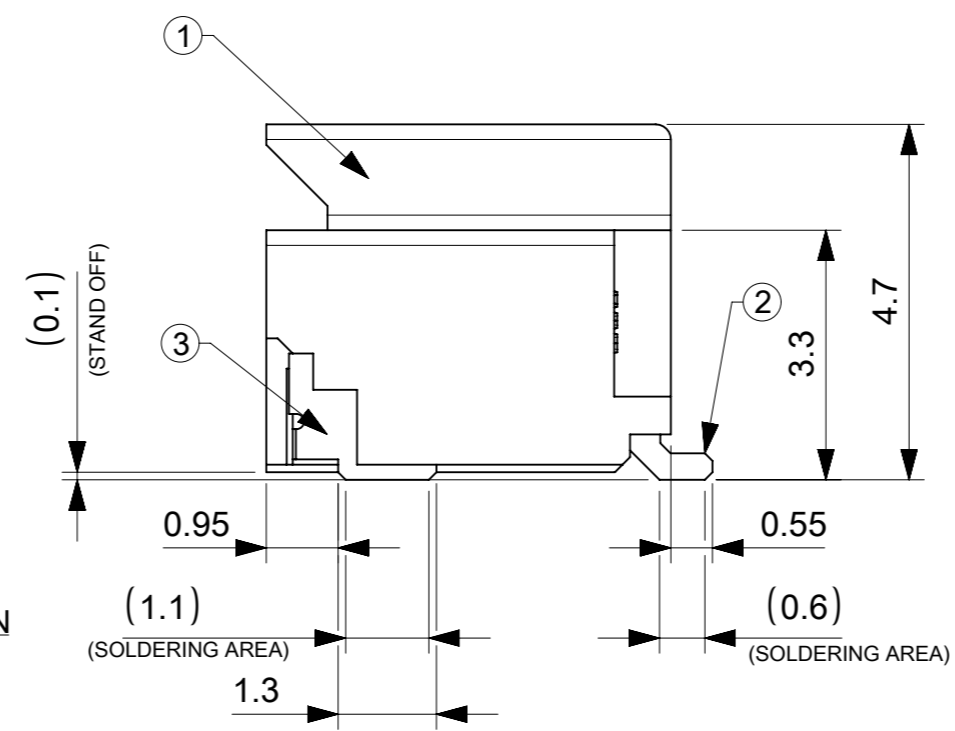
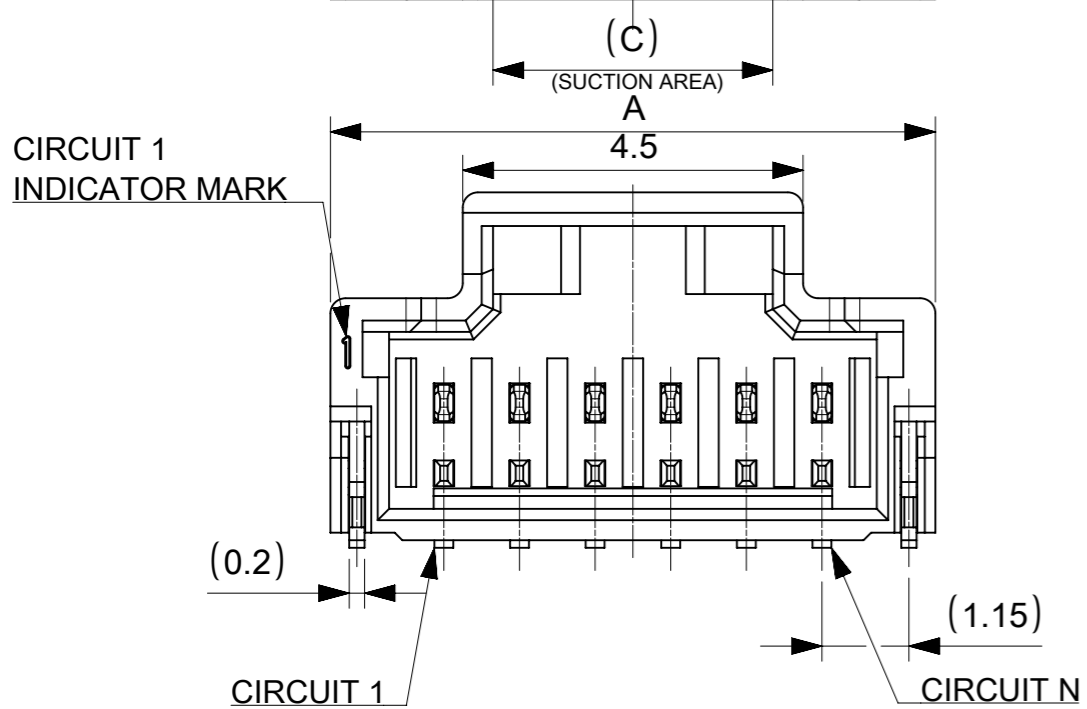
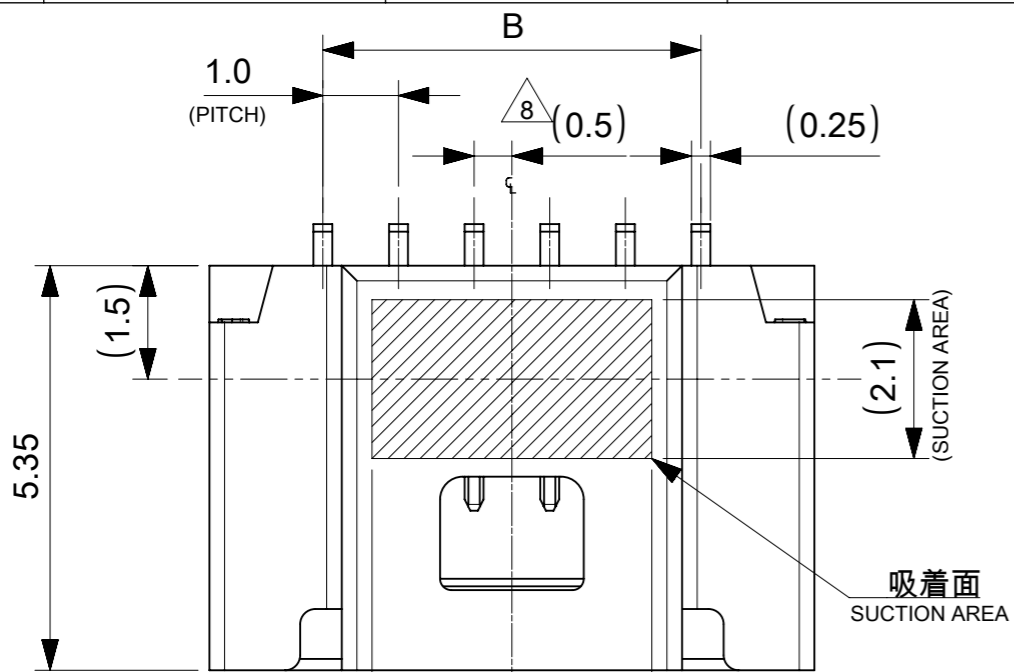


TABLE 2

12.7	14.0	17.0	15
11.7	13.0	16.0	14
10.7	12.0	15.0	13
9.7	11.0	14.0	12
8.7	10.0	13.0	11
7.7	9.0	12.0	10
6.7	8.0	11.0	9
5.7	7.0	10.0	8
4.7	6.0	9.0	7
3.7	5.0	8.0	6
C	B	A	極数 CIRCUIT SIZE

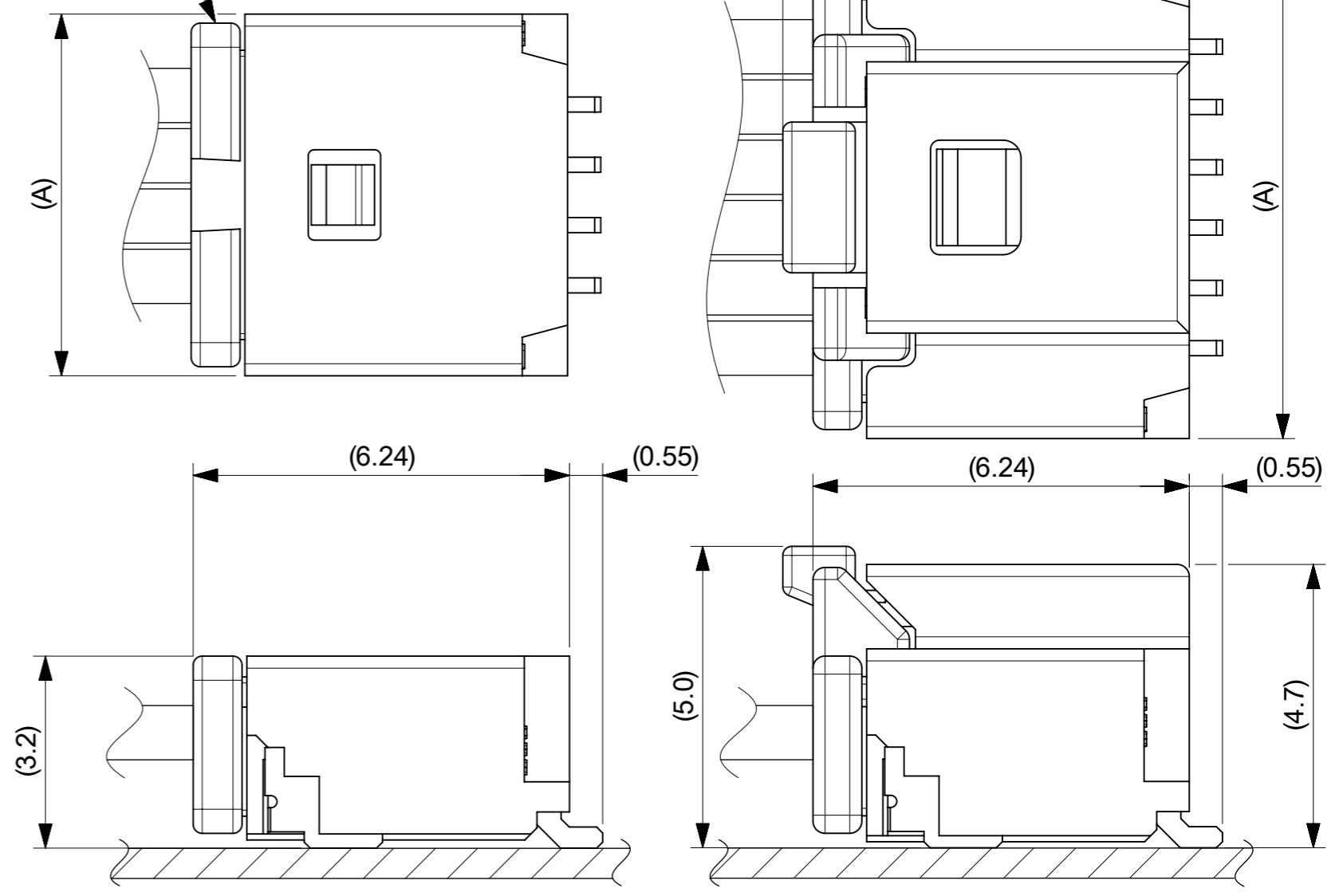
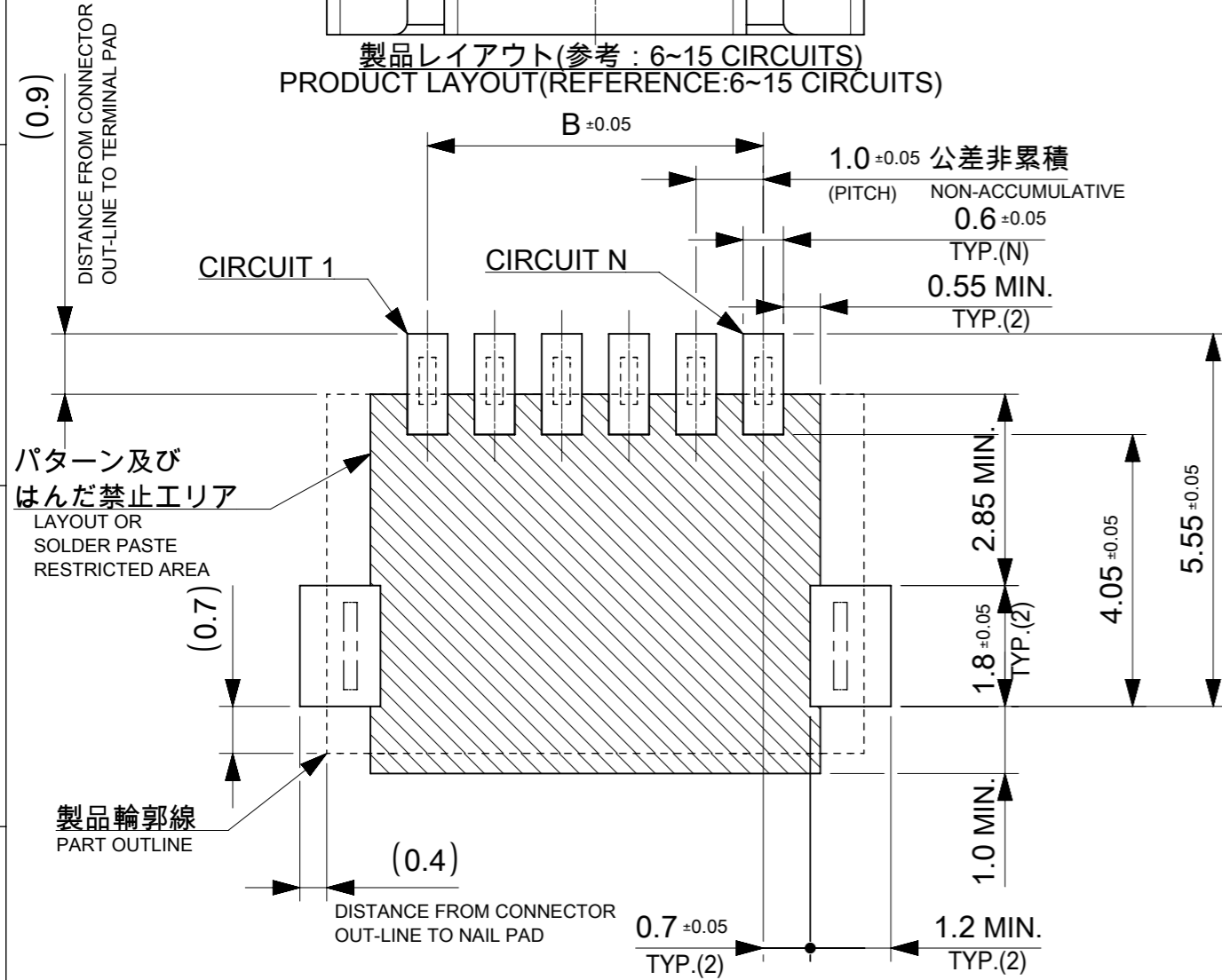
番号 NO.	部品 PART	材質 MATERIAL	
①	ウエハー WAFER	ポリアミド(PA), UL94V-0, 色 : SEE SHEET 6 POLYAMIDE(PA), UL94V-0, COLOR : SEE SHEET 6	
②	ソルダーピン SOLDER PIN	リン青銅 PHOSPHOR BRONZE	
		接点部 CONTACT AREA	錫めっき : 1.0 MICRO-METER MIN. MATTE TIN PLATING
		テール部 TAIL AREA	錫めっき : 1.0 MICRO-METER MIN. MATTE TIN PLATING
	下地めっき UNDER PLATING	ニッケルめっき : 1.0 MICRO-METER MIN. NICKEL	
③	ネイル NAIL	黄銅 BRASS	
		テール部 TAIL AREA	錫めっき : 1.0 MICRO-METER MIN. MATTE TIN PLATING
		下地めっき UNDER PLATING	ニッケルめっき : 1.0 MICRO-METER MIN. NICKEL

THIS DRAWING CONTAINS INFORMATION THAT IS PROPRIETARY TO MOLEX ELECTRONIC TECHNOLOGIES, LLC AND SHOULD NOT BE USED WITHOUT WRITTEN PERMISSION

DIMENSION UNITS <b>mm</b>	SCALE <b>NTS</b>	CURRENT REV DESC:		<b>molex</b>		
GENERAL TOLERANCES (UNLESS SPECIFIED)		EC NO: 698195				
ANGULAR TOL	± 3.0 °	4 PLACES	± 0.2	DRWN: MIKEDA01	2022/02/28	PRODUCT CUSTOMER DRAWING
3 PLACES	± 0.2	CHK'D: SAKIYAMA	2022/03/08	APPR: AIDA	2022/03/08	
2 PLACES	± 0.2	INITIAL REVISION:		DOCUMENT NUMBER		
1 PLACE	± 0.2	DRWN: AISHIKAWA	2019/02/18	5015680000-SD		
0 PLACES	± 0.2	APPR: KOMURAKAMI	2019/04/05	PSD 000 C		
DRAFT WHERE APPLICABLE MUST REMAIN WITHIN DIMENSIONS		THIRD ANGLE PROJECTION	DRAWING	SERIES	MATERIAL NUMBER	CUSTOMER
			A3-SIZE	501568	SEE SHEET 6	SHEET NUMBER 2 OF 6

嵌合相手 : 501330シリーズ  
MATE WITH : 501330 SERIES

製品レイアウト(参考 : 6~15 CIRCUITS)  
PRODUCT LAYOUT(REFERENCE:6~15 CIRCUITS)



a) 2~5 CIRCUITS

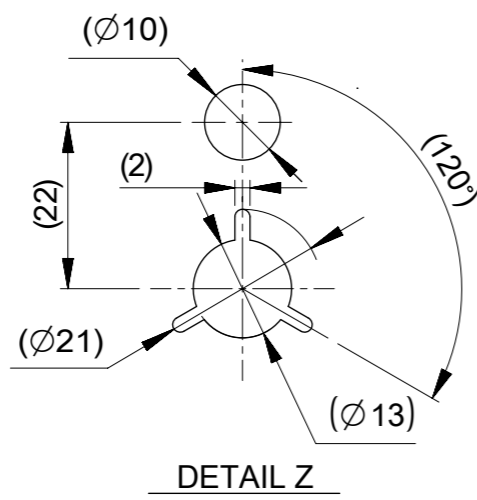
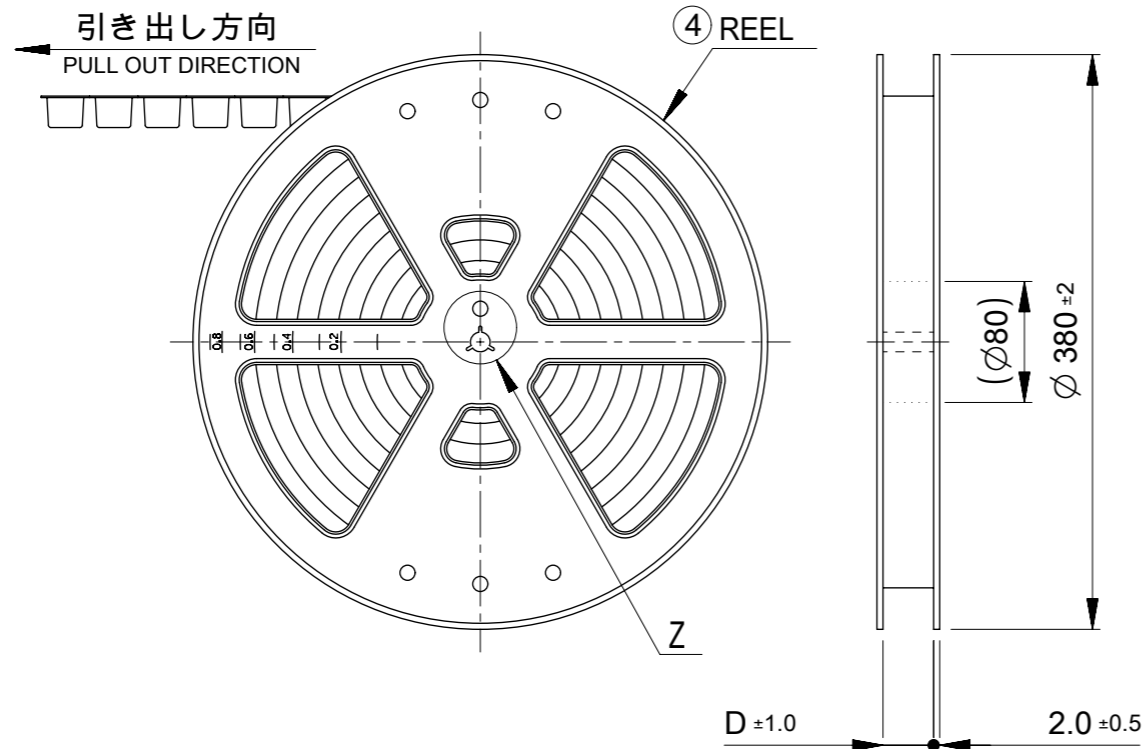
b) 6~15 CIRCUITS

嵌合図  
MATED CONNECTORS

推奨基板レイアウト(全極数適用) : 実装面側  
(参考 : 基板厚 1.0mm, メタルマスク厚さ 0.12mm, マスク開口率100%)  
POLARIZED RECOMMENDED PCB LAYOUT(APPLY TO ALL CIRCUITS) : COMPONENT SIDE  
(REFERENCE: PCB THICKNESS 1.0mm, STENCIL THICKNESS 0.12mm, APERTURE RATIO 100%)

:パターン禁止エリア  
RESTRICTED AREA  
NO PCB COMPONENTS ALLOWED

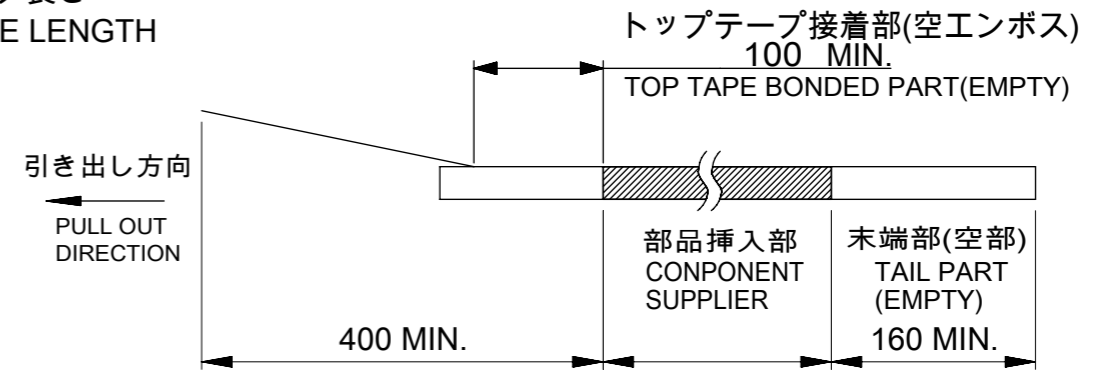
THIS DRAWING CONTAINS INFORMATION THAT IS PROPRIETARY TO MOLEX ELECTRONIC TECHNOLOGIES, LLC AND SHOULD NOT BE USED WITHOUT WRITTEN PERMISSION		CURRENT REV DESC:		<b>molex</b>	
DIMENSION UNITS	SCALE				
mm	NTS			PICO-CLASP 1.0 W/B SINGLE ROW RA SMT INNER LOCK TIN PLATING	
GENERAL TOLERANCES (UNLESS SPECIFIED)				PRODUCT CUSTOMER DRAWING	
ANGULAR TOL	± 3.0 °			DOCUMENT NUMBER	
4 PLACES	± 0.2	EC NO: 698195		5015680000-SD	
3 PLACES	± 0.2	DRWN: MIKEDA01 2022/02/28		DOC TYPE	
2 PLACES	± 0.2	CHK'D: SAKIYAMA 2022/03/08		PSD	
1 PLACE	± 0.2	APPR: AIDA 2022/03/08		DOC PART	
0 PLACES	± 0.2	INITIAL REVISION:		000	
DRAFT WHERE APPLICABLE MUST REMAIN WITHIN DIMENSIONS		DRWN: AISHIKAWA 2019/02/18		REVISION	
THIRD ANGLE PROJECTION		APPR: KOMURAKAMI 2019/04/05		C	
DRAWING		SERIES		SHEET NUMBER	
A3-SIZE		501568		3 OF 6	
MATERIAL NUMBER		CUSTOMER			
SEE SHEET 6					



NOTES

- 10. 梱包数量  
 2-5 CIRCUIT: 1700個/リール  
 6-15 CIRCUIT: 1300個/リール  
 NUMBER OF CONNECTORS  
 2-5 CIRCUIT : 1700 PIECES/REEL  
 6-15 CIRCUIT : 1300 PIECES/REEL

- 11. リードテープ長さ  
 LEAD TAPE LENGTH



- 12. トップテープの剥離強度はIEC60286-3に準拠。  
 TOP TAPE PEELING FORCE IS DEFINED BY IEC60286-3.
- 13. 2~5極品は乾燥剤入り、ハイバリア梱包による納品となります。  
 2~5 CIRCUITS IS DELIVERED IN A HIGH BARRIER PACKAGING WITH DESICCANT.
- 14. 梱包仕様書 : SPK-501568-001  
 PACKAGE SPECIFICATION:
- 15. 発注番号 : SHEET 6 参照  
 ORDER No. : PLEASE REFER TO SHEET 6 FOR PRODUCT LIST.

501568 - \* \* \* \*

極数 CIRCUIT SIZE	ハウジングカラー HOUSING COLOR	製品識別番号 IDENTIFICATION NUMBER
	0:NATURAL(BEIGE)	7:EMBOSSED PACKAGE

33.4	15
	14
	13
25.4	12
	11
	10
	9
	8
17.5	7
	6
	5
	4
D	3
	2
	極数 CIRCUIT SIZE

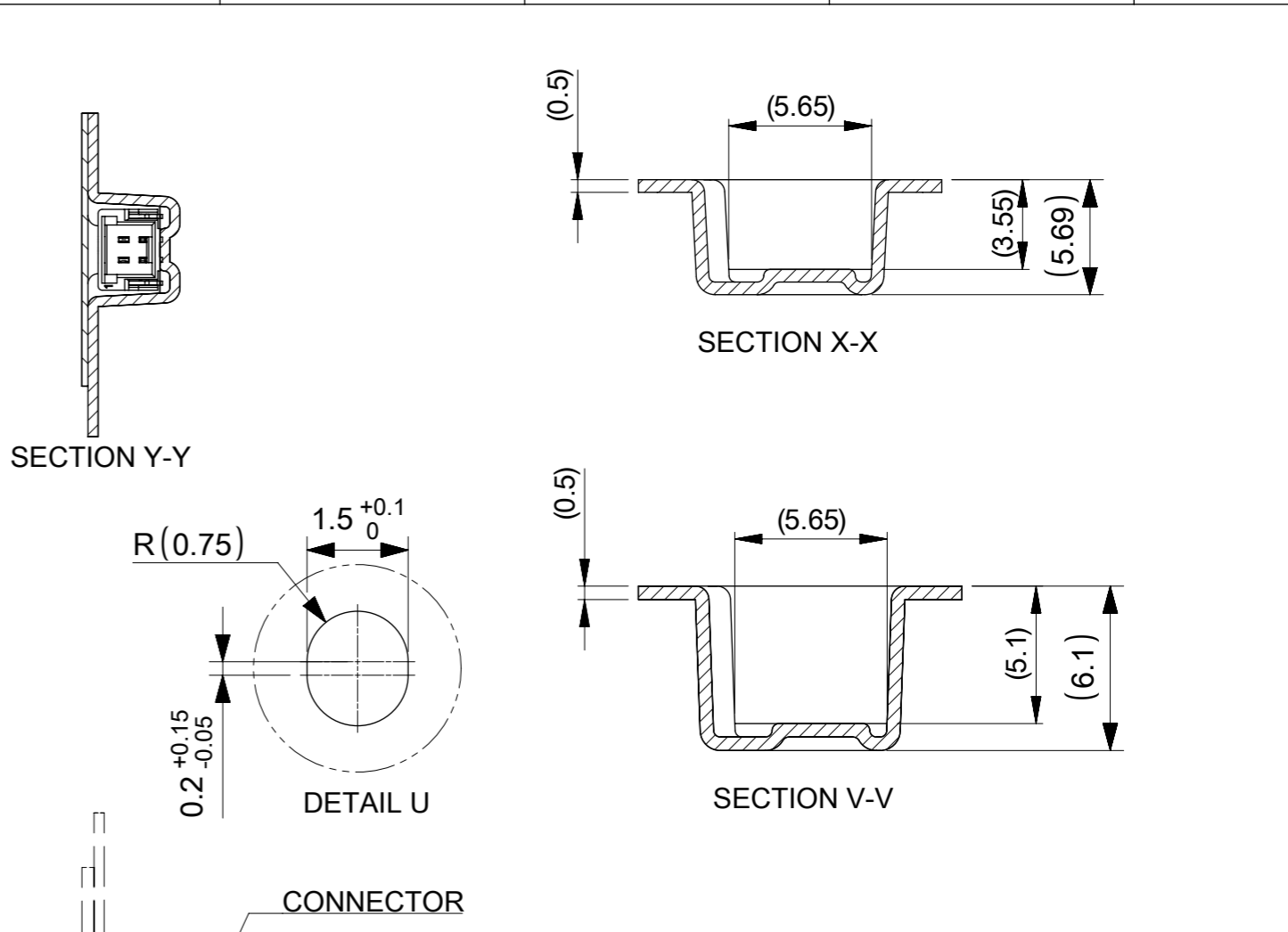
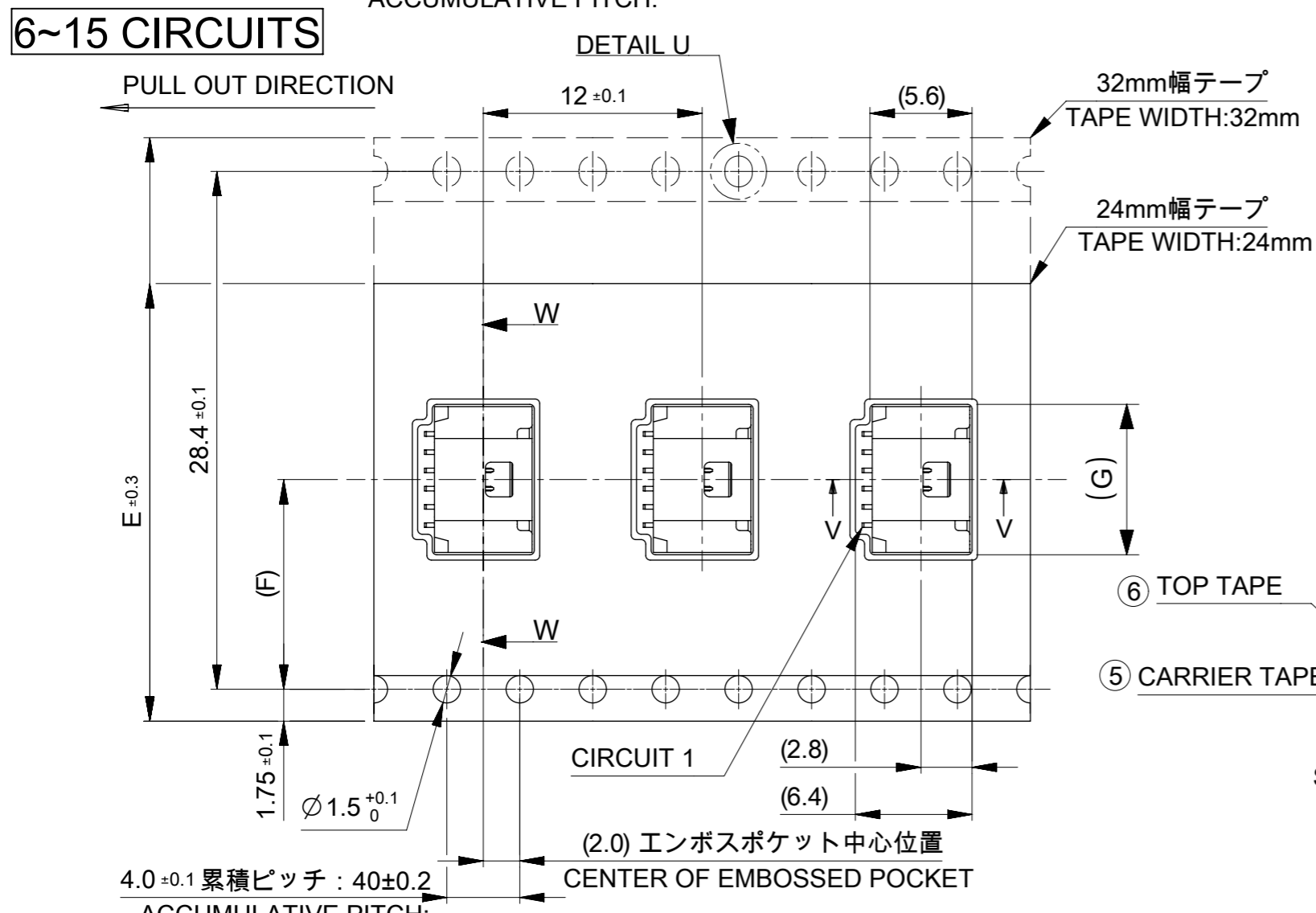
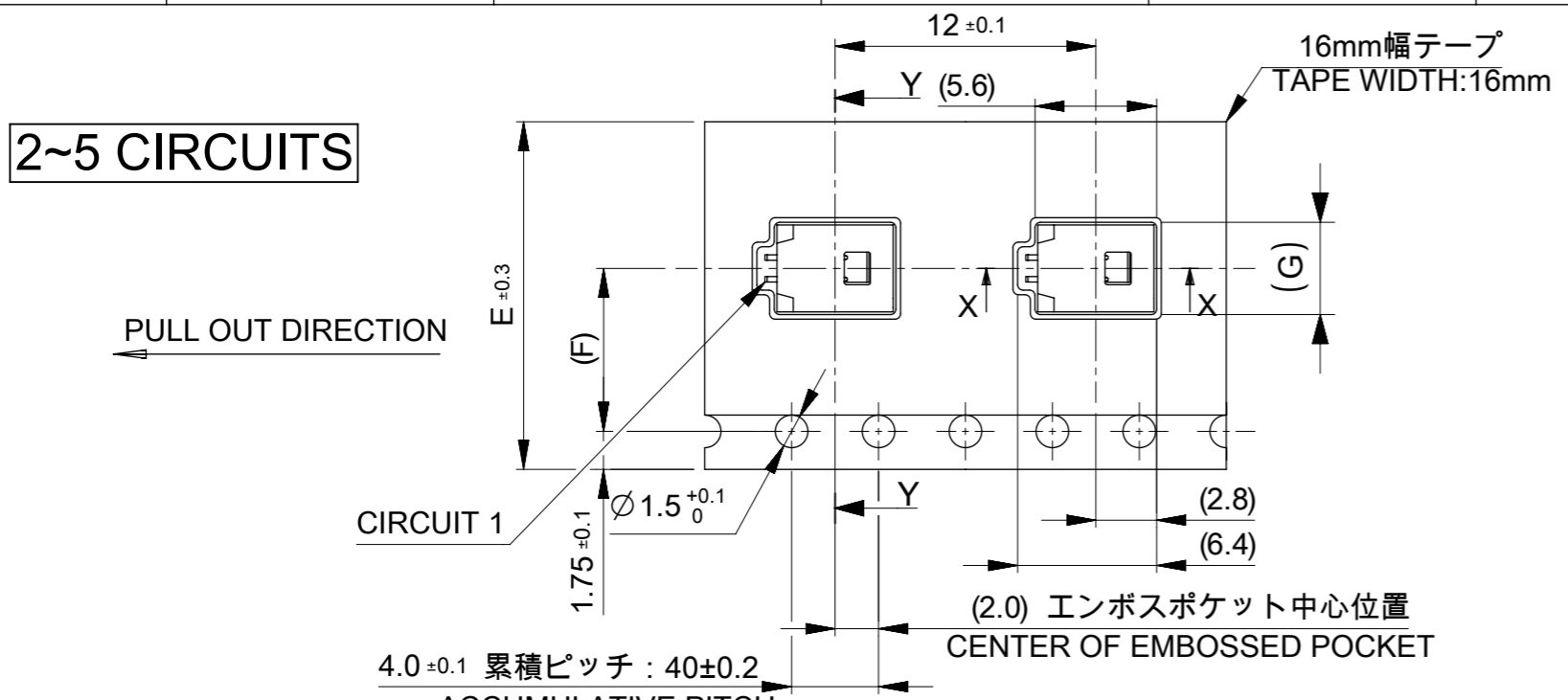
番号 NO.	部品 PART	材質 MATERIAL
④	リール REEL	ポリスチレン(PS) <リサイクル材を含む> POLYSTYRENE(PS) <RECYCLE MATERIAL CONTAINED>
DOCUMENT STATUS	P1	RELEASE DATE 2022/03/08 09:37:25

THIS DRAWING CONTAINS INFORMATION THAT IS PROPRIETARY TO MOLEX ELECTRONIC TECHNOLOGIES, LLC AND SHOULD NOT BE USED WITHOUT WRITTEN PERMISSION

DIMENSION UNITS mm	SCALE NTS	CURRENT REV DESC.	<b>molex</b>		
GENERAL TOLERANCES (UNLESS SPECIFIED)		EC NO: 698195			
ANGULAR TOL ± 3.0 °	4 PLACES ± 0.2	DRWN: MIKEDA01 2022/02/28	PRODUCT CUSTOMER DRAWING		
3 PLACES ± 0.2	2 PLACES ± 0.2	CHK'D: SAKIYAMA 2022/03/08	DOCUMENT NUMBER		
2 PLACES ± 0.2	1 PLACE ± 0.2	APPR: AIDA 2022/03/08	5015680000-SD		
1 PLACE ± 0.2	0 PLACES ± 0.2	INITIAL REVISION:	DOC TYPE	DOC PART	REVISION
DRAFT WHERE APPLICABLE MUST REMAIN WITHIN DIMENSIONS	THIRD ANGLE PROJECTION	DRWN: AISHIKAWA 2019/02/18	PSD	000	C
		APPR: KOMURAKAMI 2019/04/05	CUSTOMER	SHEET NUMBER	
			SEE SHEET 6	4 OF 6	
			A3-SIZE	501568	

2~5 CIRCUITS

6~15 CIRCUITS



17.3			15
16.3	14.2	32	14
15.3			13
14.3			12
13.3			11
12.3			10
11.3	11.5	24	9
10.3			8
9.3			7
8.3			6
7.3			5
6.3	7.5	16	4
5.3			3
4.3			2
G	コネクタ中心位置 F CENTER OF CONNECTOR	エンボステープ幅 E WIDTH OF TAPE	極数 CIRCUIT SIZE

番号 NO.	部品 PART	材質 MATERIAL
⑤	キャリアテープ CARRIER TAPE	ポリプロピレン(PP)、その他 POLYPROPYLENE(PP), etc
⑥	トップテープ TOP TAPE	ポリエチレン(PE)、その他 POLYETHYLENE(PE), etc

DOCUMENT STATUS	P1	RELEASE DATE	2022/03/08	09:37:25
-----------------	----	--------------	------------	----------

THIS DRAWING CONTAINS INFORMATION THAT IS PROPRIETARY TO MOLEX ELECTRONIC TECHNOLOGIES, LLC AND SHOULD NOT BE USED WITHOUT WRITTEN PERMISSION

CURRENT REV DESC:

**molex**

PICO-CLASP 1.0 W/B  
SINGLE ROW RA SMT INNER LOCK TIN PLATING

PRODUCT CUSTOMER DRAWING

EC NO: 698195  
DRWN: MIKEDA01  
CHK'D: SAKIYAMA  
APPR: AIDA

INITIAL REVISION:  
DRWN: AISHIKAWA  
APPR: KOMURAKAMI

DOCUMENT NUMBER: 5015680000-SD  
DOC TYPE: PSD  
DOC PART: 000  
REVISION: C

DRAFT WHERE APPLICABLE MUST REMAIN WITHIN DIMENSIONS

THIRD ANGLE PROJECTION

DRAWING: A3-SIZE  
SERIES: 501568  
MATERIAL NUMBER: SEE SHEET 6  
CUSTOMER: SEE SHEET 6  
SHEET NUMBER: 5 OF 6

10 9 8 7 6 5 4 3 2 1

F  
E  
D  
C  
B  
A

F  
E  
D  
C  
B  
A

△13 △15 製品一覧 PRODUCT LIST

HOUSING COLOR		
NATURAL(BEIGE)		
501568	1507	15
↑	1407	14
	1307	13
	1207	12
	1107	11
	1007	10
	0907	9
	0807	8
	0707	7
	0607	6
	0507	5
	0407	4
↓	0307	3
501568	0207	2
発注番号 ORDER No.		極数
梱包形態 : エンボスリール		CIRCUIT SIZE
PACKAGE:EMBOSSED REEL		

THIS DRAWING CONTAINS INFORMATION THAT IS PROPRIETARY TO MOLEX ELECTRONIC TECHNOLOGIES, LLC AND SHOULD NOT BE USED WITHOUT WRITTEN PERMISSION															
DIMENSION UNITS		SCALE		CURRENT REV DESC:				<b>molex</b>		PICO-CLASP 1.0 W/B SINGLE ROW RA SMT INNER LOCK TIN PLATING					
mm		NTS													
GENERAL TOLERANCES (UNLESS SPECIFIED)				EC NO: 698195				PRODUCT CUSTOMER DRAWING							
ANGULAR TOL ± 3.0 °				DRWN: MIKEDA01 2022/02/28											
4 PLACES ± 0.2				CHK'D: SAKIYAMA 2022/03/08				DOCUMENT NUMBER <b>5015680000-SD</b>							
3 PLACES ± 0.2				APPR: AIDA 2022/03/08											
2 PLACES ± 0.2				INITIAL REVISION:				DOC TYPE		DOC PART		REVISION			
1 PLACE ± 0.2				DRWN: AISHIKAWA 2019/02/18				PSD		000		C			
0 PLACES ± 0.2				APPR: KOMURAKAMI 2019/04/05											
DRAFT WHERE APPLICABLE MUST REMAIN WITHIN DIMENSIONS				THIRD ANGLE PROJECTION		DRAWING		SERIES		MATERIAL NUMBER		CUSTOMER		SHEET NUMBER	
						A3-SIZE		501568		SEE SHEET 6				6 OF 6	

DOCUMENT STATUS	P1	RELEASE DATE	2022/03/08	09:37:25
-----------------	----	--------------	------------	----------

9 8 7 6 5 4 3 2 1

FORMAT: master-ib-prod-A3  
REVISION: 11  
DATE: 2021/05/01