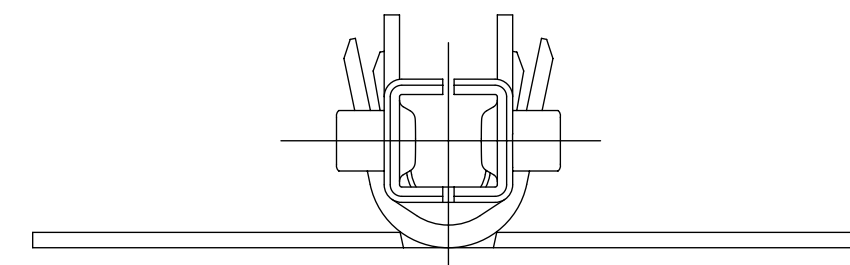
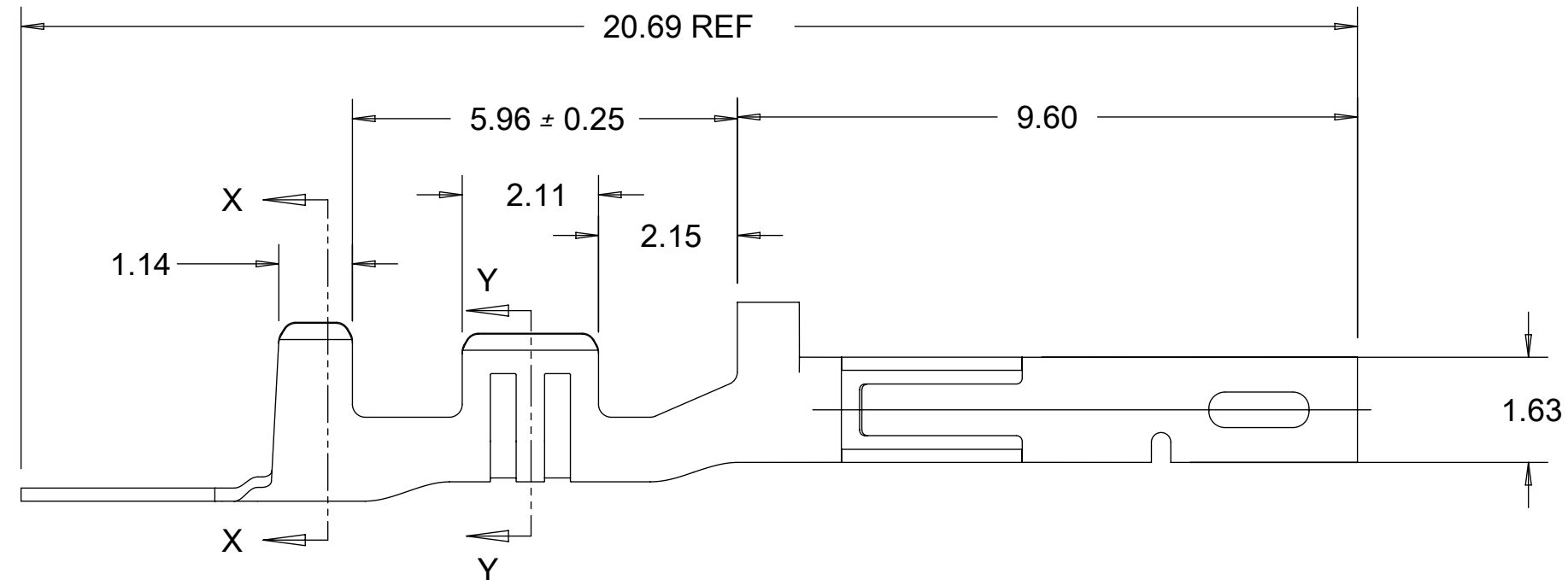
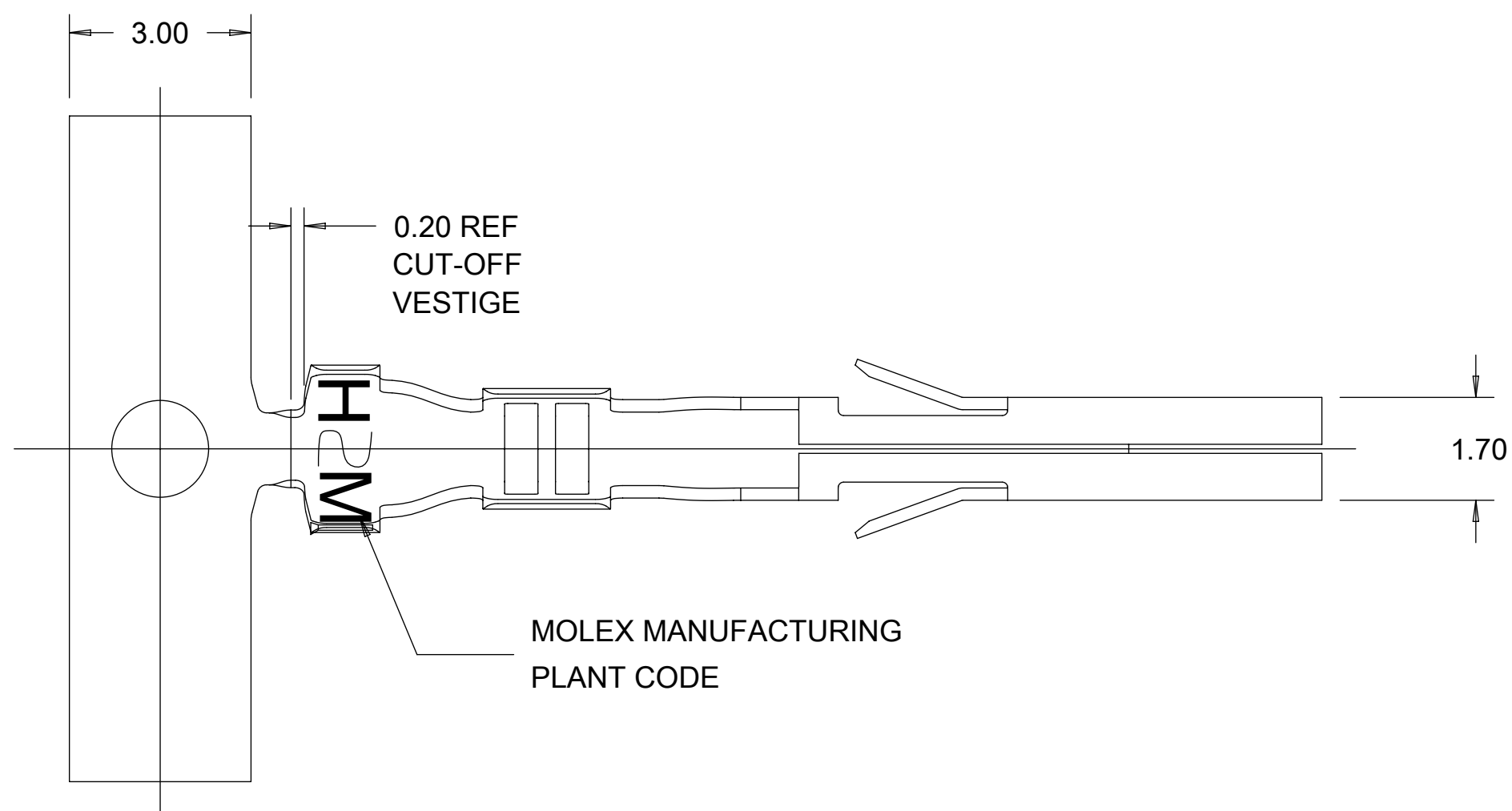


# PART LEGEND

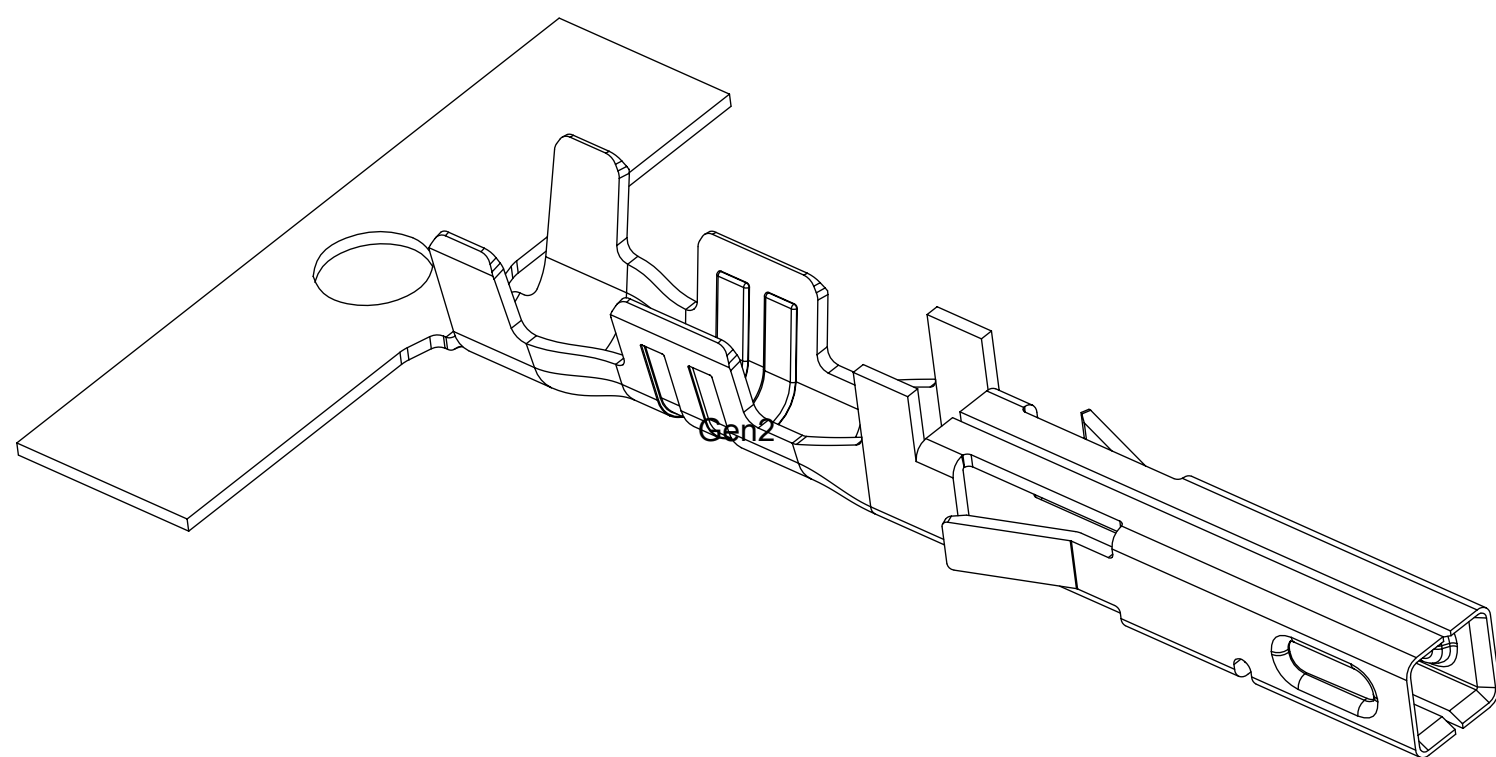
172718- \* \* \* \*

SERIES	FORM
WIRE GAGE (INS OD RANGE)	1 = CHAIN 2 = LOOSE
1 = 16 (Ø1.98-2.55)	MATERIAL
2 = 16 (Ø2.55-3.14)	1 = PHOS BRONZE 2 = BRASS
3 = 18-20 (Ø1.42-2.10)	PLATING
4 = 18-20 (Ø2.10-2.85)	1 = HOT TIN DIP (PRE-PLATE)
5 = 22-24 (Ø1.07-1.65)	
6 = 22-24 (Ø1.65-2.38)	



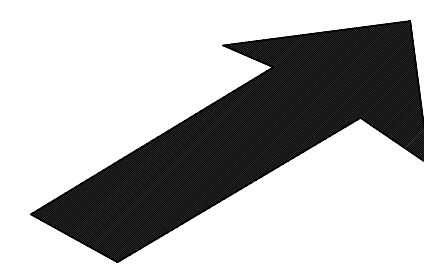
**NOTES:**

1. MATERIALS:  
PHOS BRONZE ALLOY  
BRASS ALLOY
2. PRE-PLATED: HOT TIN DIP, OVERALL 2.5 m MIN. TIN.
3. PRODUCT SPECIFICATION: PS-172718-0000  
APPLICATION SPECIFICATION: AS-172718-0000
4. THIS TERMINAL TO BE USED WITH HOUSING SERIES 172708.
5. THIS TERMINAL MATES WITH MALE CRIMP TERMINAL SERIES 5558, 46012 & 172765.
6. THIS TERMINAL MATES WITH HEADER SERIES 5566 & 5569.
7. PACKAGING: REELS TO BE PACKED PER PK-172718-0000  
LOOSE TERMINALS PER PK-172718-0001.
8. PART CONFORMS TO CLASS 'B' REQUIREMENTS OF COSMETIC SPEC PS-45499-002.
9. WHEN TERMINALS ARE INSTALLED IN THE HOUSING THE WIRE ARE TO BE DRESSED IN SUCH A MANNER TO ALLOW THE TERMINALS TO FLOAT FREELY IN THE HOUSING POCKET.
10. THIS TERMINALS IS DESIGNED FOR SINGLE WIRE CRIMPING.

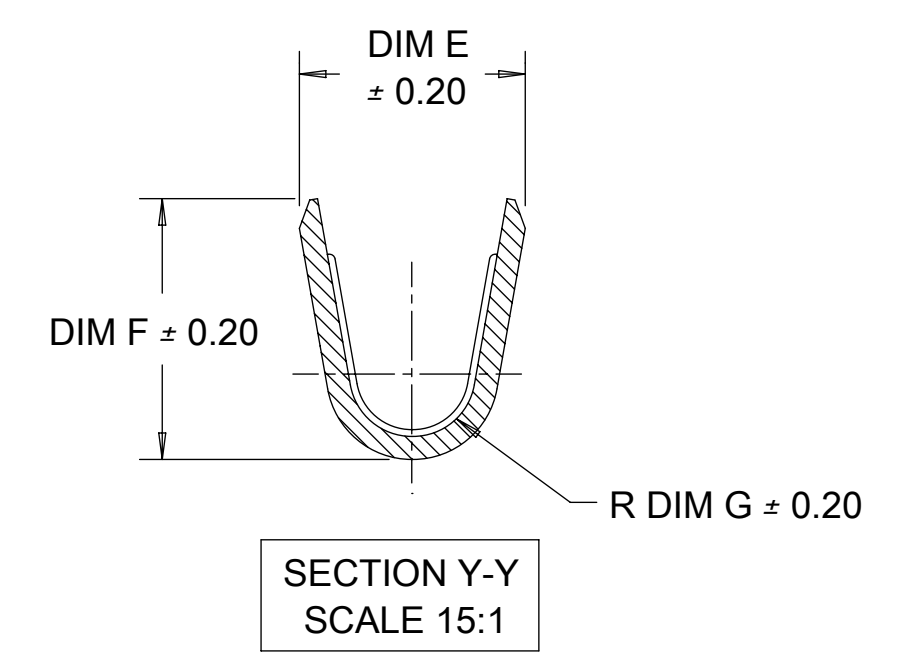
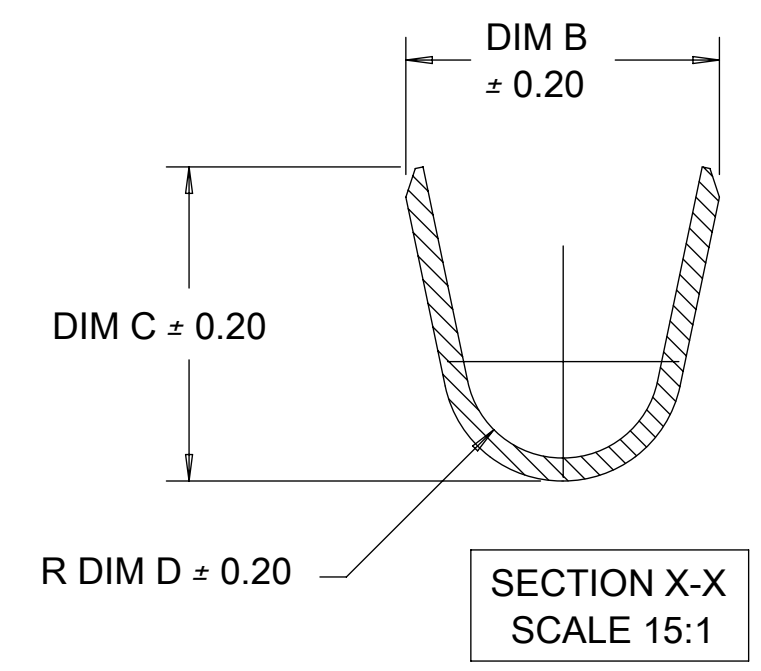
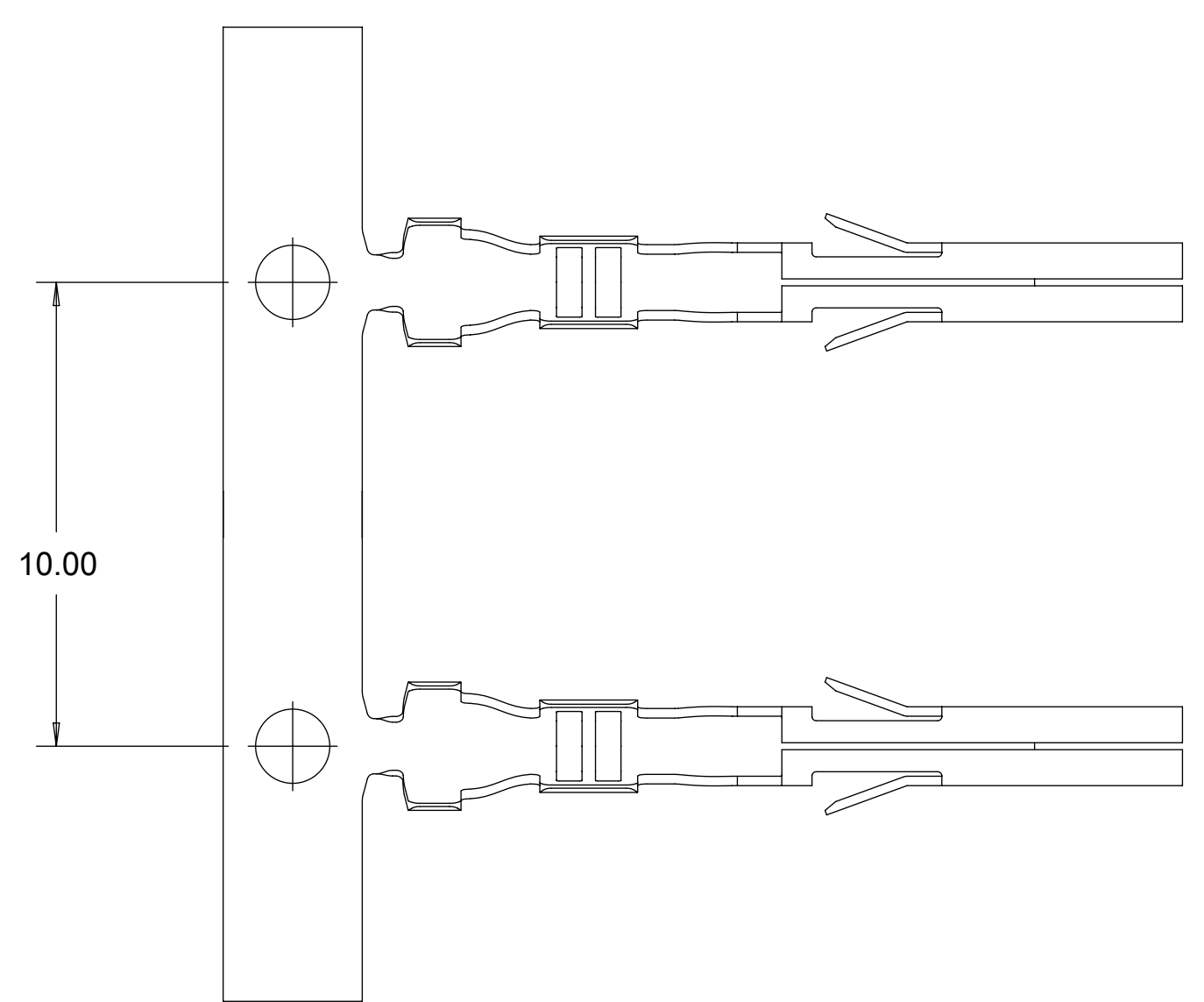
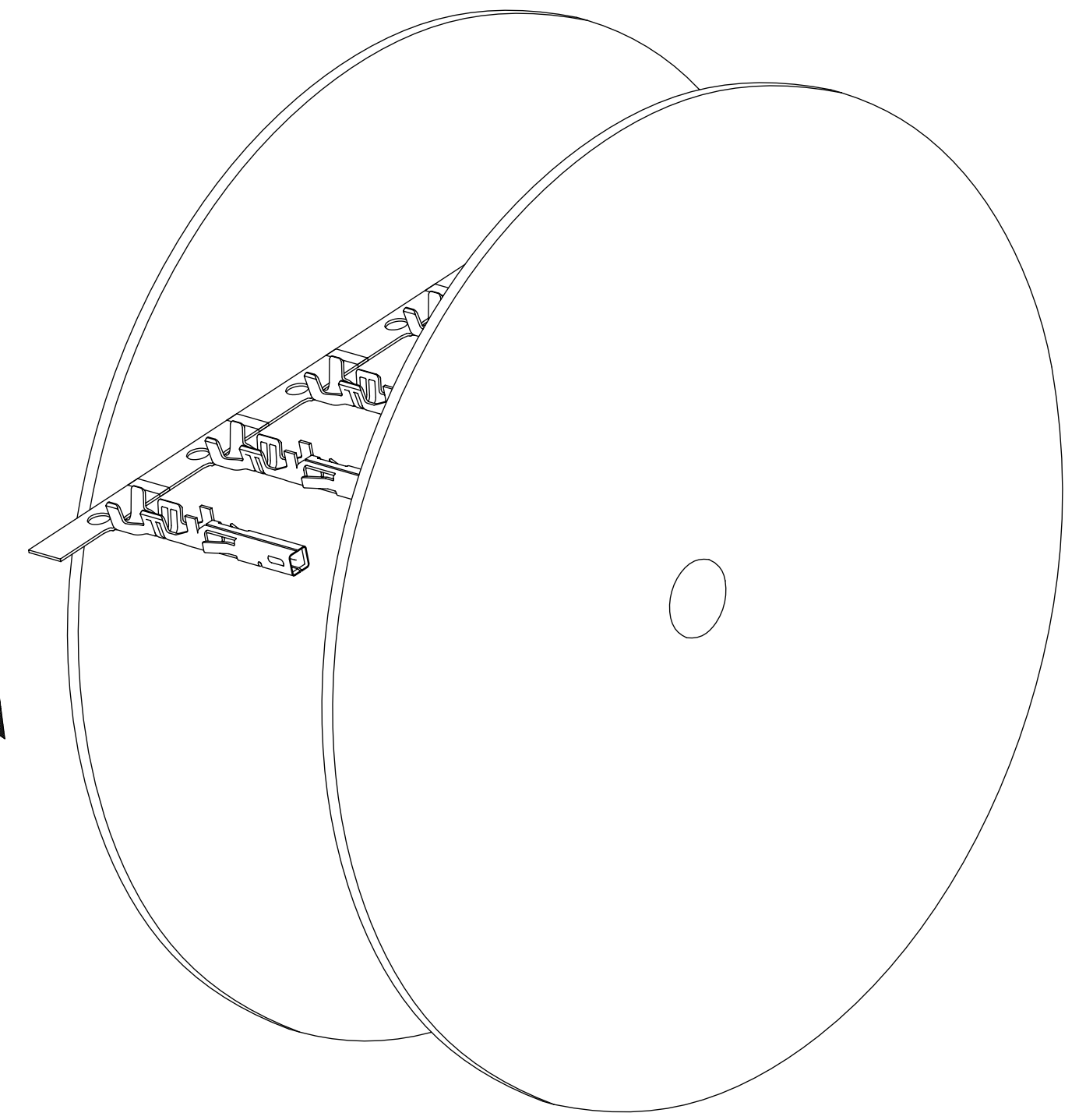


THIS DRAWING CONTAINS INFORMATION THAT IS PROPRIETARY TO MOLEX INCORPORATED AND SHOULD NOT BE USED WITHOUT WRITTEN PERMISSION											
EC DESCRIPTION EC NO: 645160 DRWN: KCHIKKANNA CHKD: KCHIKKANNA REV / APPR: ISHWARG	GENERAL TOLERANCES (UNLESS SPECIFIED)		DIMENSION UNITS	SCALE							
	ANGULAR TOL ± °		mm	10:1							
	4 PLACES ±	DRWN BY		DATE	CRIMP TERMINAL RECEPTACLE MINI-FIT TPA2 AND SIGMA						
	3 PLACES ±	TGREGORI		2014/09/09							
	2 PLACES ± 0.10	CHKD BY		DATE	PRODUCT CUSTOMER DRAWING						
1 PLACE ± 0.2	APPR BY		DATE								
0 PLACES ±	RHODGE		2014/12/04	SERIES	MATERIAL NUMBER	CUSTOMER					
DRAFT WHERE APPLICABLE MUST REMAIN WITHIN DIMENSIONS	DRAWING SIZE	THIRD ANGLE PROJECTION	C	172718	SEE TABLE SHEET 2	GENERAL MARKET					
D4	REV	PSD	000	DOC PART	1 OF 2						

	MOLEX PART NUMBER	BASE MAT'L	WIRE AWG	WIRE OD RANGE	DIM B	DIM C	DIM D	DIM E	DIM F	DIM G
CHAIN	172718-1111	PHOS BRONZE	16	1.98-2.55	3.27	3.43	1.00	2.35	2.90	0.70
	172718-2111			2.55-3.14	3.74	3.66	1.43			
	172718-3111		18-20	1.42-2.10	2.77	2.77	0.85	2.00	2.30	0.55
	172718-4111			2.10-2.85	3.36	3.37	1.25			
	172718-5111		22-24	1.07-1.65	2.33	2.27	0.70	1.68	1.65	0.40
	172718-6111			1.65-2.38	3.14	3.09	1.00			
G	172718-1121	BRASS	16	1.98-2.55	3.27	3.43	1.00	2.35	2.90	0.70
	172718-2121			2.55-3.14	3.74	3.66	1.43			
	172718-3121		18-20	1.42-2.10	2.77	2.77	0.85	2.00	2.30	0.55
	172718-4121			2.10-2.85	3.36	3.37	1.25			
	172718-5121		22-24	1.07-1.65	2.33	2.27	0.70	1.68	1.65	0.40
	172718-6121			1.65-2.38	3.14	3.09	1.00			
F	172718-1112	PHOS BRONZE	16	1.98-2.55	3.27	3.43	1.00	2.35	2.90	0.70
	172718-2112			2.55-3.14	3.74	3.66	1.43			
	172718-3112		18-20	1.42-2.10	2.77	2.77	0.85	2.00	2.30	0.55
	172718-4112			2.10-2.85	3.36	3.37	1.25			
	172718-5112		22-24	1.07-1.65	2.33	2.27	0.70	1.68	1.65	0.40
	172718-6112			1.65-2.38	3.14	3.09	1.00			
E	172718-1122	BRASS	16	1.98-2.55	3.27	3.43	1.00	2.35	2.90	0.70
	172718-2122			2.55-3.14	3.74	3.66	1.43			
	172718-3122		18-20	1.42-2.10	2.77	2.77	0.85	2.00	2.30	0.55
	172718-4122			2.10-2.85	3.36	3.37	1.25			
	172718-5122		22-24	1.07-1.65	2.33	2.27	0.70	1.68	1.65	0.40
	172718-6122			1.65-2.38	3.14	3.09	1.00			



REELING DIRECTION



THIS DRAWING CONTAINS INFORMATION THAT IS PROPRIETARY TO MOLEX INCORPORATED AND SHOULD NOT BE USED WITHOUT WRITTEN PERMISSION											
EC DESCRIPTION EC NO: 645160 DRWN: KCHIKKANNA CHKD: KCHIKKANNA REV / APPR: ISHWARG	GENERAL TOLERANCES (UNLESS SPECIFIED)		DIMENSION UNITS	SCALE							
	ANGULAR TOL ± °		mm	7:1							
	4 PLACES ±	TGREGORI		DATE	2014/09/09						
	3 PLACES ±	CHKD BY		DATE							
	2 PLACES ± 0.10	APPR BY		DATE	RHODGE 2014/12/04						
1 PLACE ± 0.2	DRAWING SIZE		THIRD ANGLE PROJECTION	SERIES		MATERIAL NUMBER		CUSTOMER			
0 PLACES ±	C			172718		SEE TABLE		GENERAL MARKET			
DRAFT WHERE APPLICABLE MUST REMAIN WITHIN DIMENSIONS				DOCUMENT NUMBER		DOC TYPE		DOC PART		SHEET NUMBER	
D4				SD-172718-0000		PSD		000		2 OF 2	