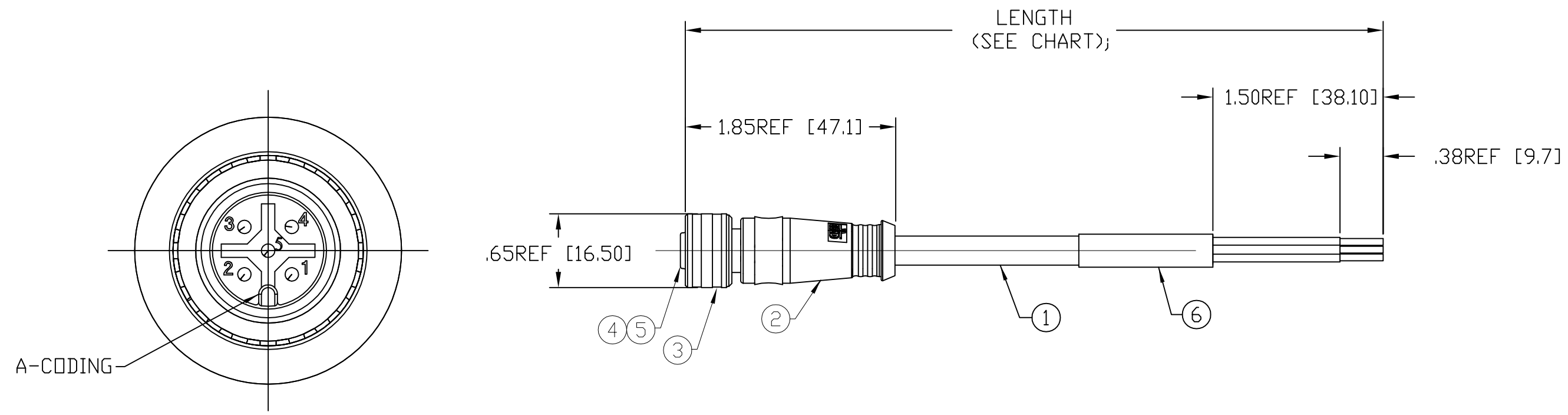
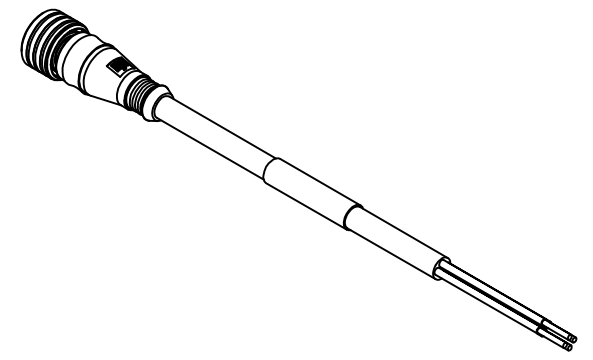


PART NUMBER	ENGINEERING NO.	LENGTH
1200798012	W04000P03M020	6' 6" +3.5" - 0 [2M +90MM - 0]
1200795068	W04000P03M040	13' 1" +6.5" - 0 [4M +150MM - 0]
1200795069	W04000P03M050	16' 4" +6.5" - 0 [5M +150MM - 0]
1200795070	W04000P03M060	19' 7" +6.5" - 0 [6M +150MM - 0]
1200798010	W04000P03M100	32' 4" +12.5" - 0 [10M +300MM - 0]



P1	
1	BROWN
2	WHITE
3	BLUE
4	BLACK

WIRING DIAGRAM

- NOTES:
- 1) MATERIAL: SEE TABLE
 - 2) FINISHES: SEE TABLE
 - 3) WRAP LABEL IS MARKED WITH P/N, DATE CODE, VOLTAGE & AMPERAGE.
 - 4) MATES WITH: MICRO CHANGE, 4 POLE RECEPTACLE
 - 5) ELECTRICAL DATA:
 INLINE CORDSET
 FEMALE A-CODING WITH FLYING LEADS
 22AWG UNSHIELDED
 POLES: 4
 MAX. VOLTAGE: 250V
 MAX. CURRENT 4A
 CONTACT RESISTANCE: <5M Ohm
 PROTECTION IP67/68/69K
 TEMPERATURE RANGE: -20°C TO 80°C
 - 6) PACKAGING:
 CABLE ASSEMBLIES ARE BAGGED SEPERATELY
 IN POLY BAGS WITH BAR CODE LABEL ATTACHED
 TO OUTSIDE OF BAG.
 - 7) ASSEMBLY IS RoHS COMPLIANT.

ITEM	QTY.	DESCRIPTION	MATERIAL	FINISH
6	1	LABEL	PLASTIC FILM	BLACK/YELLOW
5	4	SOCKET CONTACT	COPPER ALLOY	GOLD PLATED
4	1	INSERT	PUR	BLACK
3	1	COUPLING NUT	BRASS	NICKEL PLATED
2	1	OVERMOLD	PUR	YELLOW
1	1	CABLE, 22AWG-4	PUR JACKET	BLACK

RELEASE EC NO: WEU2010-0062 DRWN: BWOODMAN 8/19/09 CH'KD: LH APPR: JFMURPHY 2009/08/21	DESCRIPTION REV	QUALITY SYMBOL ▽=0 ▽=0	GENERAL TOLERANCES (UNLESS SPECIFIED) <table border="1"> <thead> <tr> <th></th> <th>mm</th> <th>INCH</th> </tr> </thead> <tbody> <tr> <td>4 PLACES</td> <td>±----</td> <td>±---</td> </tr> <tr> <td>3 PLACES</td> <td>±.005</td> <td>±.005</td> </tr> <tr> <td>2 PLACES</td> <td>±.013</td> <td>±.010</td> </tr> <tr> <td>1 PLACE</td> <td>±.025</td> <td>±.020</td> </tr> </tbody> </table>		mm	INCH	4 PLACES	±----	±---	3 PLACES	±.005	±.005	2 PLACES	±.013	±.010	1 PLACE	±.025	±.020	DIMENSION STYLE IN/MM	SCALE 1:1 DESIGN UNITS INCH THIRD ANGLE PROJECTION
			mm	INCH																
		4 PLACES	±----	±---																
		3 PLACES	±.005	±.005																
2 PLACES	±.013	±.010																		
1 PLACE	±.025	±.020																		
DRAWN BY BW DATE 2009/08/19 CHECKED BY LH DATE 2009/08/19 APPROVED BY _____ DATE _____			TITLE MICRO CHANGE ULTRA LOCK 4-P FEMALE STRAIGHT 22/4 AWG PUR																	
MATERIAL NO. SEE CHART			DOCUMENT NO. SD-120079-014 SHEET NO. 1 OF 1																	
DRAFT WHERE APPLICABLE MUST REMAIN WITHIN DIMENSIONS			THIS DRAWING CONTAINS INFORMATION THAT IS PROPRIETARY TO MOLEX INCORPORATED AND SHOULD NOT BE USED WITHOUT WRITTEN PERMISSION																	